

FEATURE PRODUCT

Answer Your Calls Promptly, without Hiring Additional Staff!



Model TMS-6X
DOD# 065

The **TMS-6X** 6 Line Call Sequencer keeps your customers interested and on the line, even during peak periods.

The **TMS-6X** will answer incoming calls promptly and deliver a clear personalized digital voice message which informs the caller that their call will be taken by the first available staff member. The call is then placed on hold.

Add **VIKING's DVA-2WA** (DOD# 110) Promotion On Hold Announcer to interject messages during music on hold, reminding the caller not to hang up and that their call will be answered soon! Connect the **SQRG-12** (DOD# 060) Sequential Ring Generator to the **TMS-6X** so that only the oldest call will ring on the phone system. For larger 12 or 24 line systems, use the **TMS-12A** (DOD# 070). For more information on the **TMS-6X**, see DOD# 065. See page 4 for more information on **VIKING's SQRG-12** Sequential Ring Generator.

WHAT'S COOL

Need to
Connect with Viking Electronics, Inc.?

Click –
www.vikingelectronics.com

E-mail –
help@vikingelectronics.com

Fax – 1-715-386-4344

Call – 1-715-386-8861

Our customer service
operators are standing by.

Monday – Friday:
8 am – 5 pm CST



All VIKING Products are Made in America!

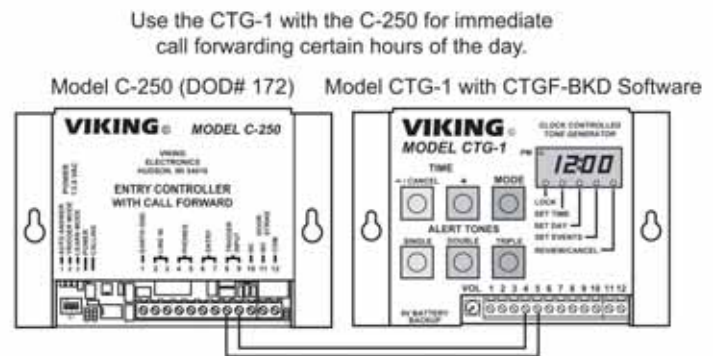
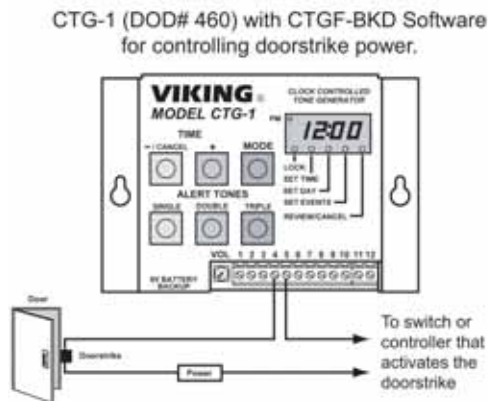
AI's Applications - CTG-1 as a Clock Controlled Relay!

Special software is available for the **CTG-1 (CTGF-BKD)** that changes its operation to a clock controlled relay output device. The relay can open or close certain times of the day, with up to 128 changes in state within a 24 hour period. Any day of the week can be set to "off" (or no relay operation) using the day of the week programming. The timed relay can be used to limit the use of doorstrikes or maglocks to certain hours of the day. Another application is to provide a timed relay for the new **C-250** controller, to immediately transfer entry phone calls to an outside phone number during certain hours of the day (instead of ringing the house phones first).

The **CTG-BKD** software must be factory programmed into the **CTG-1**. Order the **CTG-1** and the **CTGF-BKD** as separate items through your normal **VIKING** distributor. We install and test the custom software for a minimal reprogramming fee.



AI



TRIVIA QUESTION

Everyone who faxes, e-mails or calls in the correct answer by **July 10** will be entered into a drawing for a **Bass Lake Cheese Factory** gift!

Neatly boxed assortment of 5 popular specialty cheeses including Medium Cheddar, Hot Pepper Jack, Cajun Colby, Onion & Garlic Jack and Country Blend.



What Olympic Ice Skating Champ adorned her Yale dorm with photos of Prince William and Clay Aiken?



Congratulations to Nikki Schindler, Anixter – Winner of April's Trivia Question!

April Trivia: Who is the Famous son of Betty Nesmith Graham "Inventor of Liquid Paper?"

Answer: Michael Nesmith of the Monkees!

Check in every newsletter for a Trivia question to WIN prizes!

Call Us! 715-386-8861 Fax Us! 715-386-4344 Email Us! help@VikingElectronics.com (don't forget to include your address)

DID YOU KNOW?

Things to do this month...

1. Jazzy June and jazz music go together like pesto and pasta. Find a festival at allaboutjazz.com. Or, throw a music fest in your backyard. Ask friends to bring a favorite jazz CD to play.
2. Petal pushers on the nest. Walk with your kids, try to identify five types of flowers in your neighborhood. For hints, see wildflower.org.
3. Flag Day is June 14. Upload a photo about what the flag means to you, and it could become a part of a cool Smithsonian mosaic: Americanhistory.si.edu/ssb.
4. Tour De Cure... Go on a fun bike ride and help American Diabetes Association. Fund-raising cycling events for all skill levels take place in 40 states through October, with most dates scheduled in June. Visit tour.diabetes.org.
5. Happy 150th Birthday... The Missouri Botanical Garden in St. Louis was the nation's first botanical garden, opening on June 15, 1859. Today, the urban oasis still bolsters the Show-Me States bragging rights with nearly 80 acres of lush land, volunteer Master Gardeners to answer questions, and Sassafras, Missouri's first certified green restaurant. See mobot.org for a list of events.

And For Dad...

Take him out to the ball game!

Buy dad tickets to see his favorite baseball team.

Check out www.stubhub.com, a site where fans buy and sell tickets and where you can find major league bargains, especially for workday games. Make it a minor league game and you'll have money left over for Cracker Jacks and drinks!

VIKING ELECTRONICS, INC.

Coming Soon - Automated Voice Message Delivery System

Model K-6000-DVA can automatically notify up to **1000** people of an event cancellation, school, business closing or delayed opening!



Model K-6000-DVA
DOD# 307

The **K-6000-DVA** is designed to connect to a standard analog CO line, PABX station or VoIP ATA or FXS port. To activate the unit, an authorized official calls the **K-6000-DVA**, dials a 6 digit access code, selects a pre-recorded message or records a live message up to 1 minute, then activates the unit via a touch tone command to automatically call all the phone numbers in a pre-programmed group. Up to 6 groups of phone numbers can be pre-programmed into the unit. Alternatively, activating an "All Call" commands all pre-programmed numbers.

Available 3rd Quarter!

VIKING ELECTRONICS, INC.

1531 Industrial Street
Hudson, WI 54016



Address Service
Requested

LOOK Significant Events and Opportunities Coming Your Way in 2009!

Booth 3244
CEDIA EXPO
Sept. 10-13, 2009
Atlanta, GA

Booth TBA
BICSI
Sept. 10-13, 2009
Las Vegas, NV

Booth 1970
ASIS
Sept. 21-24, 2009
Anaheim, CA

Booth 1052
ISC EXPO
INTERNATIONAL SECURITY
CONFERENCE & EXPOSITION
ISC East
Oct. 28-29, 2009
New York, NY

VIKING will be displaying products at these shows

Feature Product – TMS-6X 1

What's Cool 1

AI's Applications – CTG-1 2

Trivia Question 2

Did You Know 3

Automated Voice Message
Delivery System 3

Coming Your Way In 2009 4

SQRG-12 Sequential Ring Generator. 4

Allow Multiple Attendants to Answer Sequenced Calls While Eliminating Call Crashing

The **SQRG-12** Sequential Ring Generator is designed for applications where more than one person answers incoming calls and those persons may be in locations where the **TMS-6X** or **TMS-12A** Call Sequencer is not visible. The **SQRG-12** eliminates confusion about which line to answer next by displaying the oldest call as a ringing line on all phones in the phone system.

For more information on the **SQRG-12**, see **DOD# 060**.

See page 1 for more information on the **VIKING TMS-6X** Call Sequencer.



**Model SQRG-12
DOD# 060**

VIKING NEWS is published monthly by

VIKING ELECTRONICS, Inc.
For reprints or additional subscriptions, telephone (715) 386-8861

VIKING ELECTRONICS, Inc.
All Rights reserved.

Address correspondence to:
Editor Carol Lieb
VIKING NEWS
P.O. Box 448
Hudson, WI 54016

Phone: (715) 386-8861
Fax: (715) 386-4344
Product Support: (715) 386-8666
Demo Line: (715) 386-6643
Fax Back • 24/7: (715) 386-4345

**VOLUME 21, ISSUE 5
JUNE 2009**