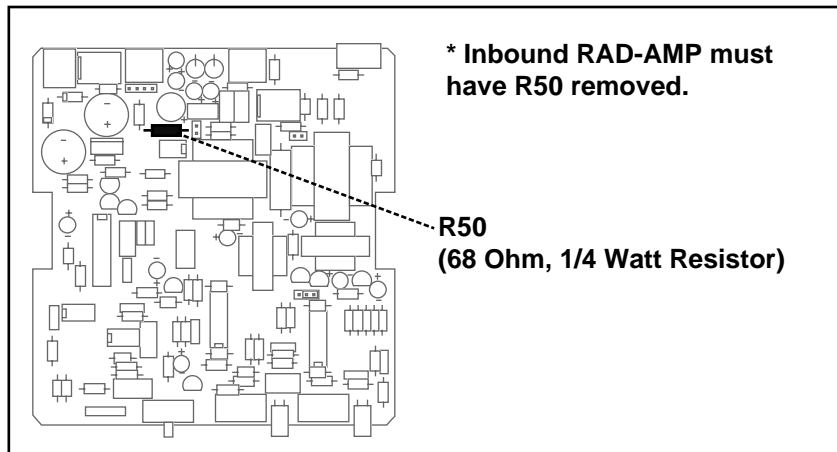
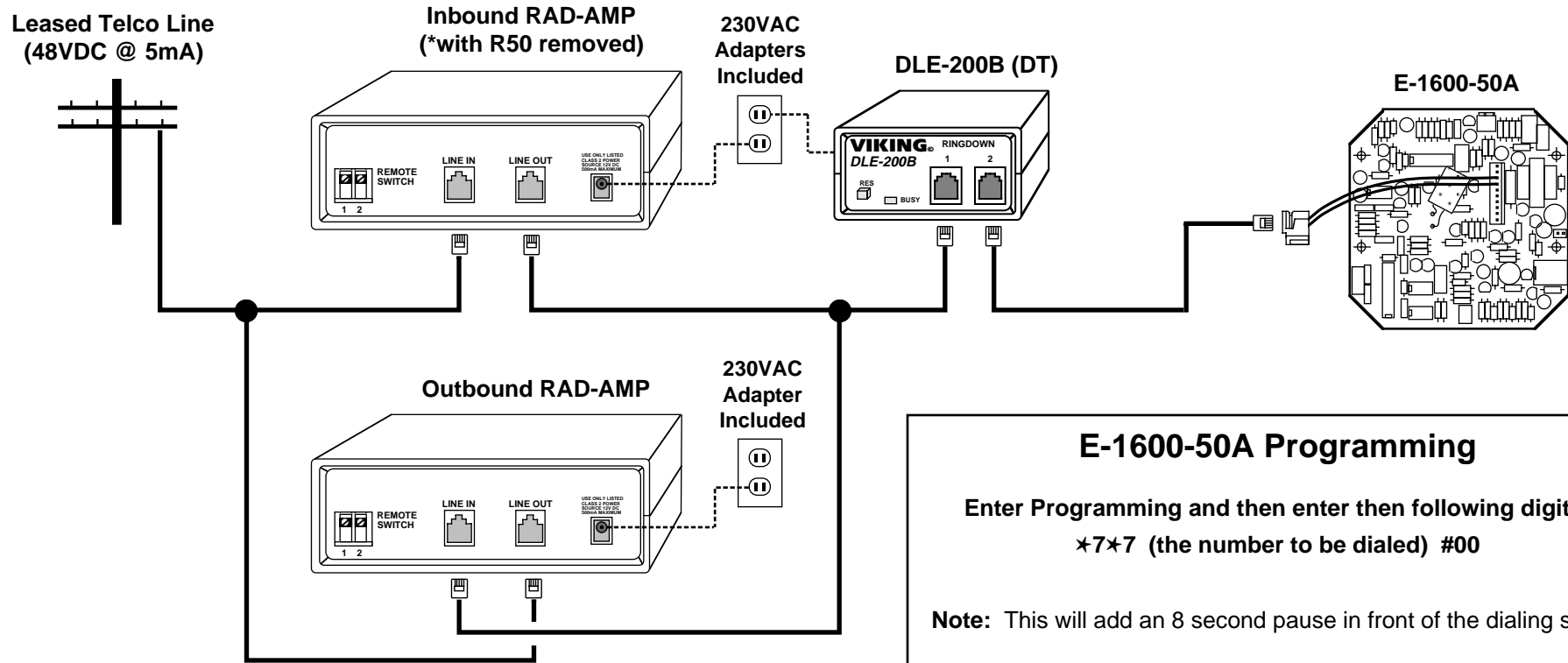


Installing an E-1600-50A on a 5mA Line



Inbound and Outbound RAD-AMP Programming

Enter Programming and then enter then following digits:

- *1 (two beeps)
- #45 (two beeps)
- #46 (two beeps)
- *# (two beeps)
- #48 (two beeps)
- *0 (two beeps)
- *6 (two beeps)