

# APPLICATION Note

**Expanding the  
C-1000B**

June 24, 2009

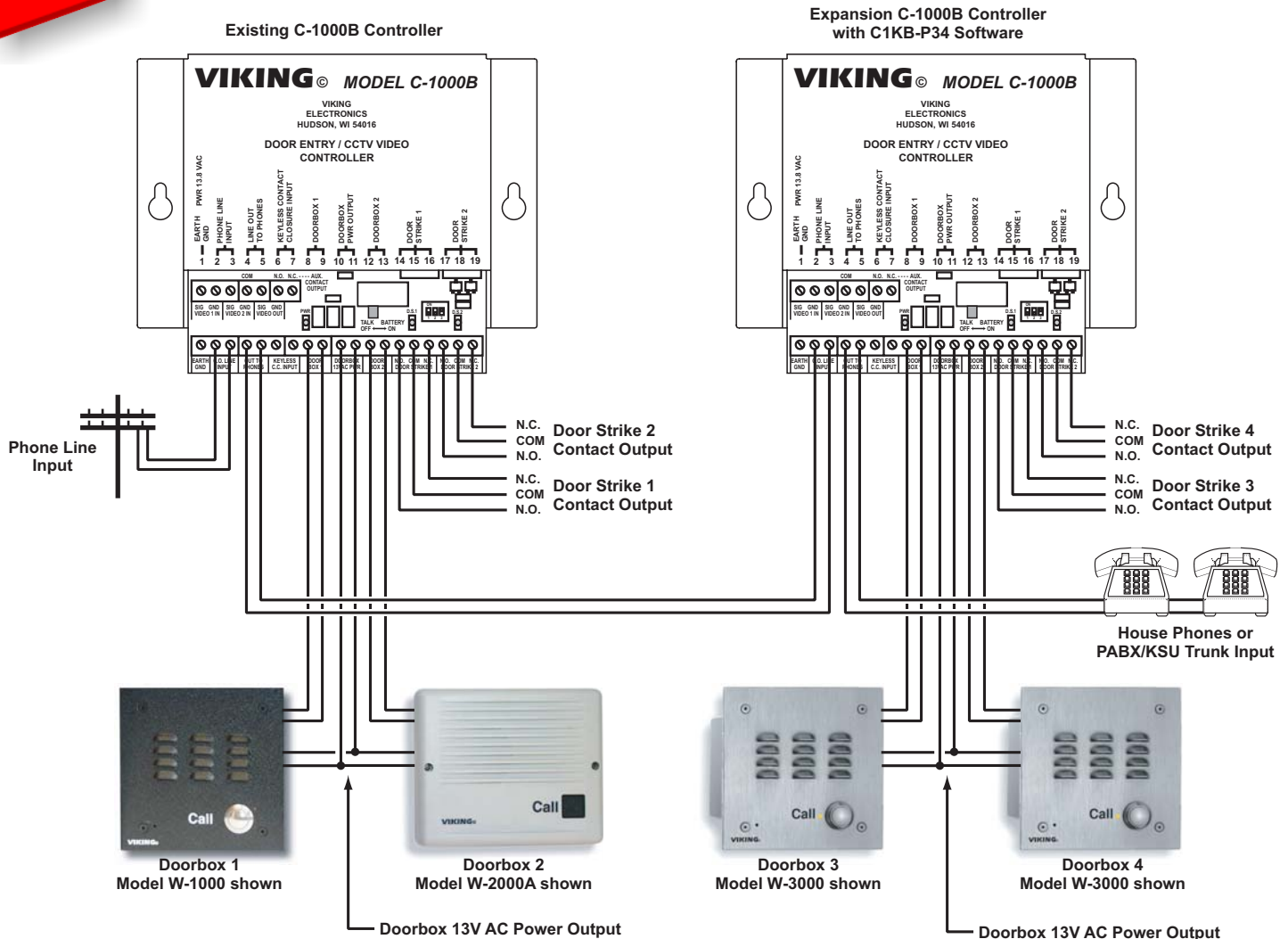
**TELECOM SOLUTIONS FOR THE 21ST CENTURY**

## Expand Your Existing C-1000B Door Entry System to 3 or 4 Doorboxes



Need to expand an existing residential or commercial **C-1000B** installation beyond two doorboxes? Don't replace the existing equipment with a larger system. We have created a special version of **C-1000B** software (**C1KB-P34**) that allows the expansion and retains all functionality.

## Installation



# Operation

---

1. Calls from any of the 4 entry phones will ring through. The call can be answered and the receiving party can converse with the entry phone and control the appropriate doorstrike relay.
2. The phones can monitor any of the four entry phones (“#1” through “#4”).
3. The phones can “force” a doorstrike relay to operate by dialing the monitor command (“#1” through “#4”), plus the desired relay command (“\*\*”, “\*1”, “\*0”, etc).
4. When a call is answered from Doorbox 3 or 4, 3 beeps or 4 beeps (respectively) are provided, to distinguish these calls from Doorbox 1 and 2 calls.
5. If a C.O. call is in progress and Doorbox 3 or 4 are activated, a triple or quadruple (respectively) “call waiting” tone is provided, to distinguish these calls from Doorbox 1 and 2 calls.

## Notes:

1. If used without a C.O. line (dedicated phones or PABX/KSU unused trunk port), the “talk battery” switch should be set to “ON” on the first **C-1000B** and “Off” on the second **C-1000B**.
2. If user programming the **C-1000B**'s (custom relay timing, activating special modes, etc.), program each **C-1000B** individually before connecting the two together.
3. If a call is in progress with either Doorbox 3 or 4 and Doorbox 1 or 2 are activated, no “call waiting” tones will be provided.

# Ordering

---

The expansion **C-1000B** requires custom software (model “**C1KB-P34**”), to change the touch tone monitor commands and number of beep tones provided for this application. This software must be programmed into the **C-1000B** at the factory (not field installable). To order this version of a **C-1000B** through a Viking authorized distributor, order the **C-1000B** and the “**C1KB-P34**” as separate items. The distributor will place the order with Viking and we install and test the custom software for a minimal “reprogramming” fee.

**Product Support Line...715.386.8666**

**Fax Back Line...715.386.4345**

Due to the dynamic nature of the product design, the information contained in this document is subject to change without notice. Viking Electronics, and its affiliates and/or subsidiaries assume no responsibility for errors and omissions contained in this information. Revisions of this document or new editions of it may be issued to incorporate such changes.