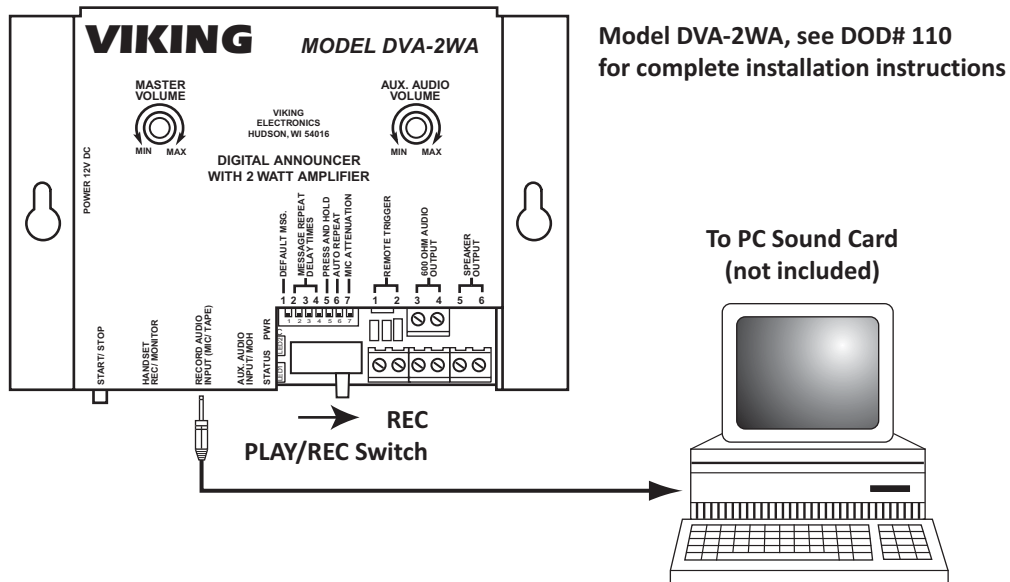


Load a Digital Announcement Directly From a PC

We recently updated the promotion on hold on our phone system and the studio that produced the new recording sent it as an MP3 file. To load this into the DVA-2WA, my first thought was to burn the MP3 to a CD and then use a portable CD player to load the recording. I had trouble getting the portable CD player to playback the CD . And then it came to me - why not load right from the output of the PC sound card into the DVA-2WA and use Windows Media Player (or similar PC program) to play the MP3? This also prevents adding any noise to the recording from the CD player's "digital to analog" converter. I loaded the recording and it worked very well.

You could also load direct from a PC to our other digital voice announcers as well. The DVA-500A, DVA-1003B, DVA-3003, K-2000-DVA, TMS-6X and TMS-12A all have record input jacks available. Any other product capable of user recordings but without a record input jack, could accomplish this same thing by adding a Viking PTR-1 to the telephone used for programming (models DNA-510, DVA-LPA, DVA-TNT and K-202-DVA).



DOD# 926