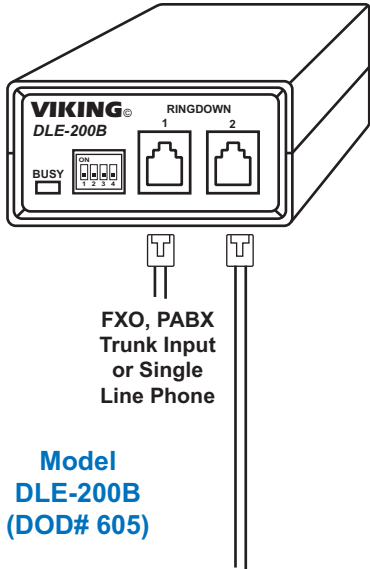


# E-Series Entry Phones Ring a FXO Port or Telephones

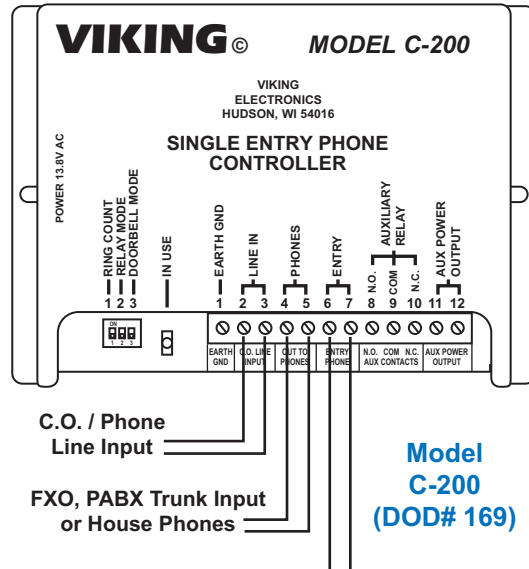
Unused FXO (Trunk) Port  
or Dedicated Phones



**Model DLE-200B**  
(DOD# 605)

To E-Series  
Phone

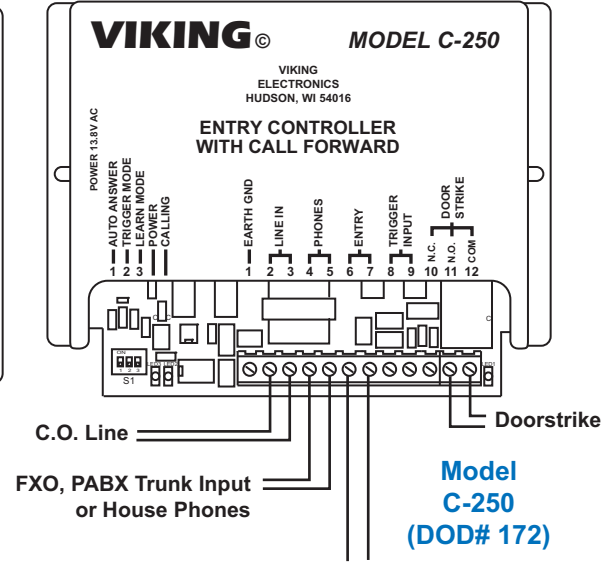
"Shared" FXO (Trunk) Port or  
Residential Phone Line



**Model C-200**  
(DOD# 169)

To E-Series  
Phone

If Door/Gate Control is Needed



**Model C-250**  
(DOD# 172)

To E-Series  
Phone



**E-40 Series**  
(DOD# 187)



**E-50 Series**  
(DOD# 191)



**E-60 Series**  
(DOD# 206)



**E-65 Series**  
(DOD# 203)



**E-70 Series**  
(DOD# 207)



**E-75 Series**  
(DOD# 208)

The W-Series entry phones would typically connect to FXO ports (trunk ports) or dedicated single line telephones but site requirements can prevent using a W-Series entry phone, such as:

1. Limited space available where the entry phone will be installed.
2. The distance to the entry phone is too long to support the power required by the W-Series entry phones.
3. An entry phone that can mount into a single or double gang electrical box is desired.
4. An entry phone with a video camera and card reader is desired (E-75 series).

Install an E-Series intercom and connect it to the FXO port or telephones through a DLE-200B line simulator or one of the two controllers shown, depending on the application.