



# APPLICATION Note

TELECOM SOLUTIONS FOR THE 21ST CENTURY

Speakers At Different Volumes from a Single Amplifier

March 22, 2002

## Provide Speakers with Different Volumes From a Single Amplifier



Model CPA-7B

It is possible to set speakers at different volume levels simply by changing the wiring interface of individual speakers.

The following application notes show two simple variations of changing the speaker volume.



Model PA-2A

**?** Need More Information on the CPA-7B? Call (715) 386-4345 and select 455.

**?** Need More Information on the PA-2A? Call (715) 386-4345 and select 485.

<http://www.vikingelectronics.com>

Phone...715.386.8861

Model M15W

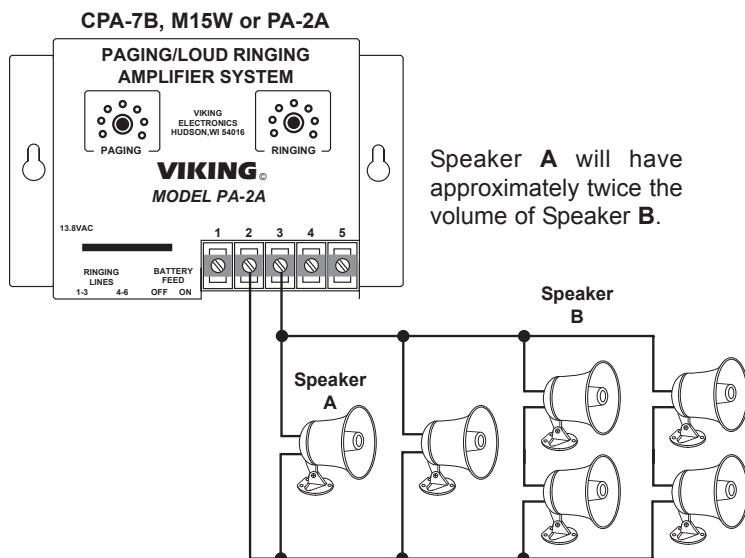
**?** Need More Information on the M15W? Call (715) 386-4345 and select 481.



## Installation

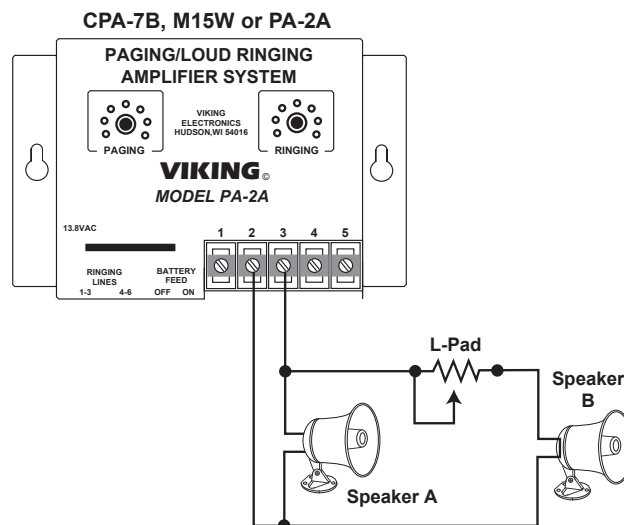
### A. Wiring in Series

The volume can be reduced by wiring the speakers in series.



### B. Using a Monaural "L-Pad"

The volume of the speaker B can be reduced by using a monaural "L-Pad" (Radio Shack part # 40-980 or equivalent).



Product Support Line...715.386.8666

Fax Back Line...715.386.4345

Due to the dynamic nature of the product design, the information contained in this document is subject to change without notice. Viking Electronics, and its affiliates and/or subsidiaries assume no responsibility for errors and omissions contained in this information. Revisions of this document or new editions of it may be issued to incorporate such changes.