

APPLICATION Note

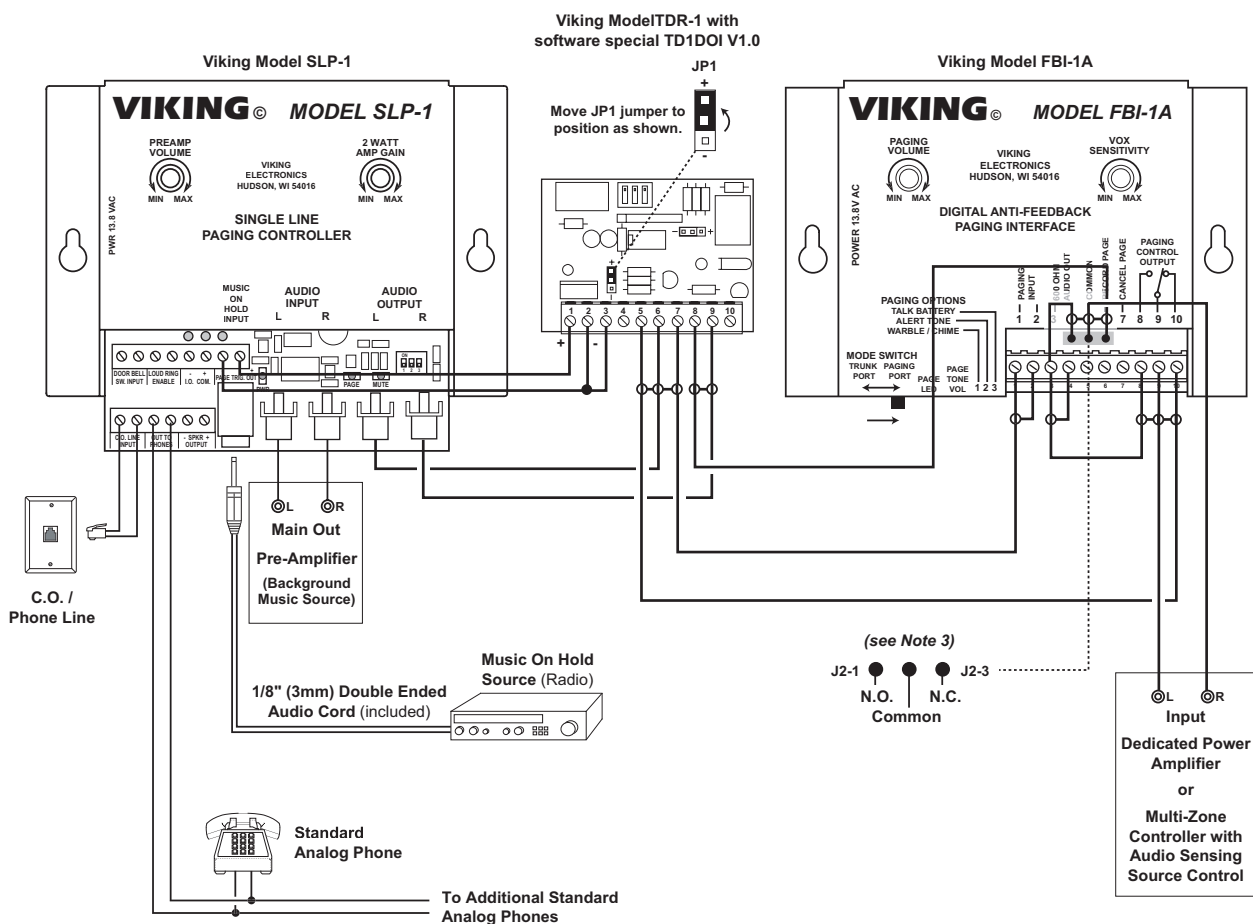
TELECOM SOLUTIONS FOR THE 21ST CENTURY

SLP-1

Eliminate Feedback on the SLP-1

August 22, 2005

Eliminating SLP-1 Paging Feedback by Connecting an FBI-1A and TDR-1



Notes:

1. ϕ = Common all signal GNDs
2. TDR-1 requires software special **TD1DOI V1.0**, contact Viking Technical Support at 715-386-8666.
3. Connections to J2 on the **FBI-1A** must be soldered.

Product Support Line...715.386.8666

Fax Back Line...715.386.4345

Due to the dynamic nature of the product design, the information contained in this document is subject to change without notice. Viking Electronics, and its affiliates and/or subsidiaries assume no responsibility for errors and omissions contained in this information. Revisions of this document or new editions of it may be issued to incorporate such changes.