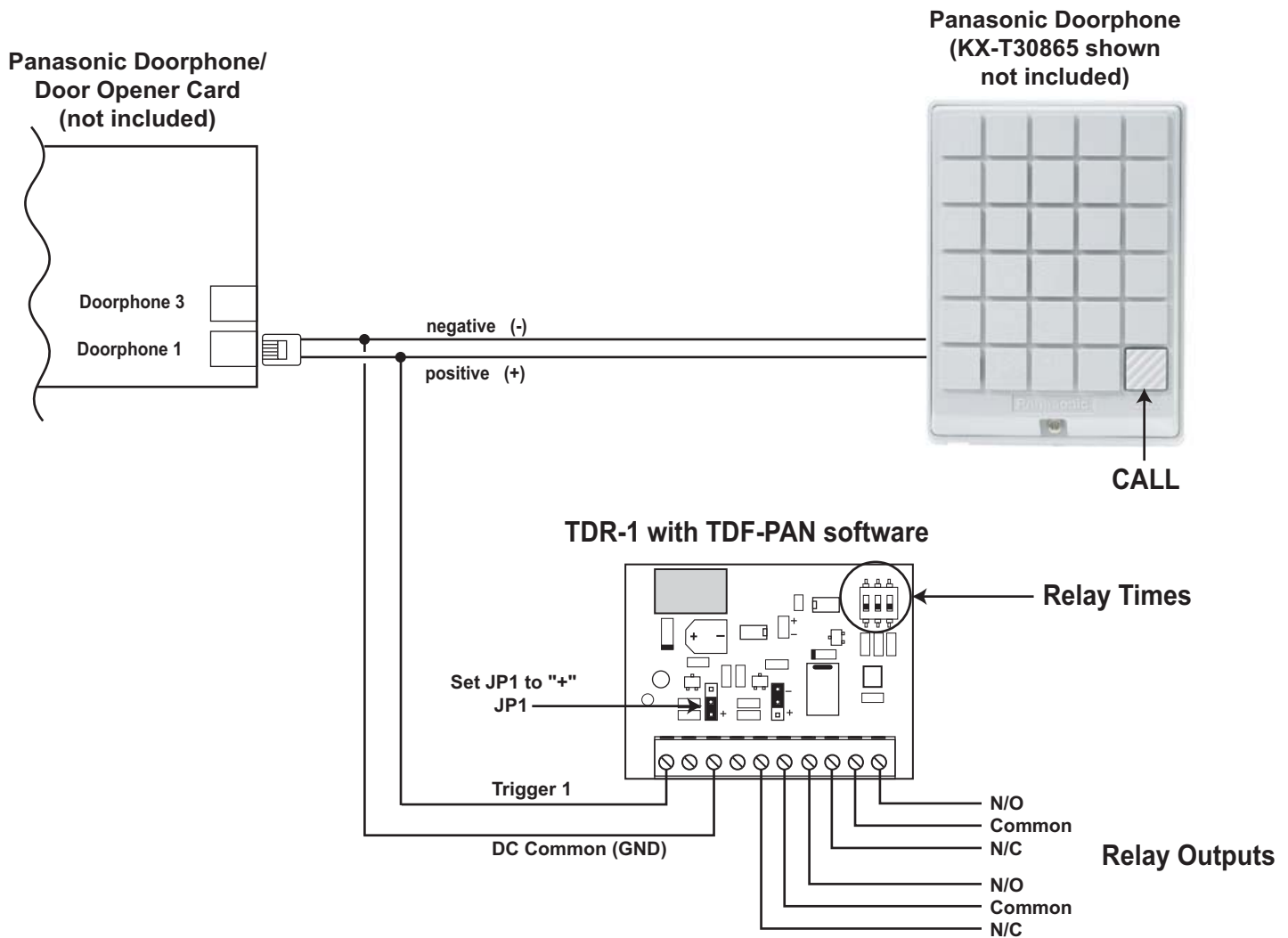


Panasonic Doorphone Activates a CCTV, Doorchime, Lights, Etc.



The TDR-1 detects when a user presses the "call" button on a Panasonic doorphone and provides a dry contact closure. This contact closure is adjustable from 1 to 60 seconds and can be used to activate a camera, a doorbell/chime or turn on lights. The TDR-1 requires special software model "TDF-PAN" for this application. Order the TDR-1 with TDF-PAN software installed. We will install and test the software for a nominal fee.

Wire the TDR-1's "trigger 1" and "common" across the pair that feeds the doorphone. Measure the DC voltage across the doorphone pair and connect the positive side (+ 2 VDC) to "trigger 1" and the negative side to "common".