



APPLICATION Note

USOC Jack Chart

January 6, 2000

TELECOM SOLUTIONS FOR THE 21ST CENTURY

A. Universal Service Order Code (USOC) RJ11C and RJ11W

Specifications

USOC: RJ11C Surface or flush mounted jack

USOC: RJ11W Wall mounted equipment

Mechanical Arrangement: Miniature 6-position jack

Typical Usage: Single line non-key telephones and ancillary devices

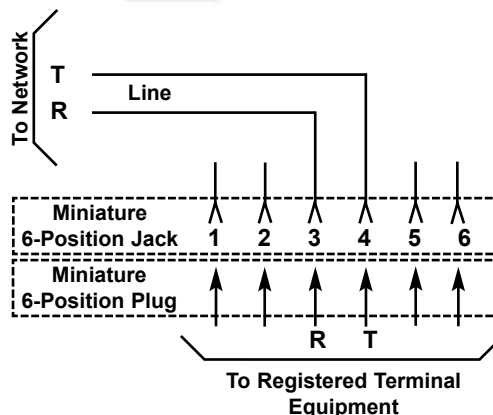
Electrical Network Connection: Single line bridged tip and ring

Phone...715.386.8861

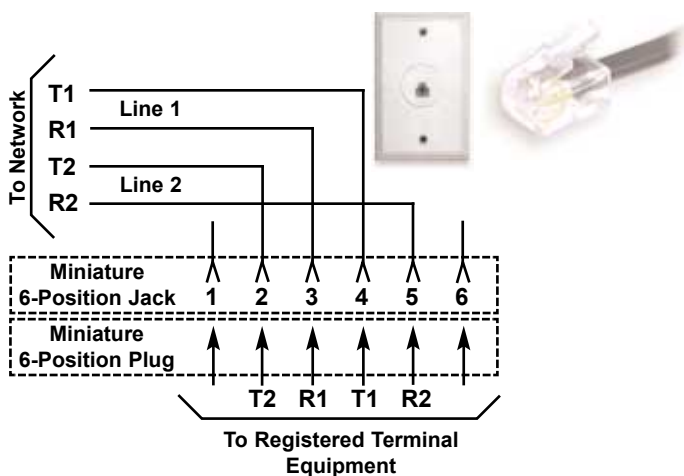
info@vikingelectronics.com

http://www.vikingelectronics.com

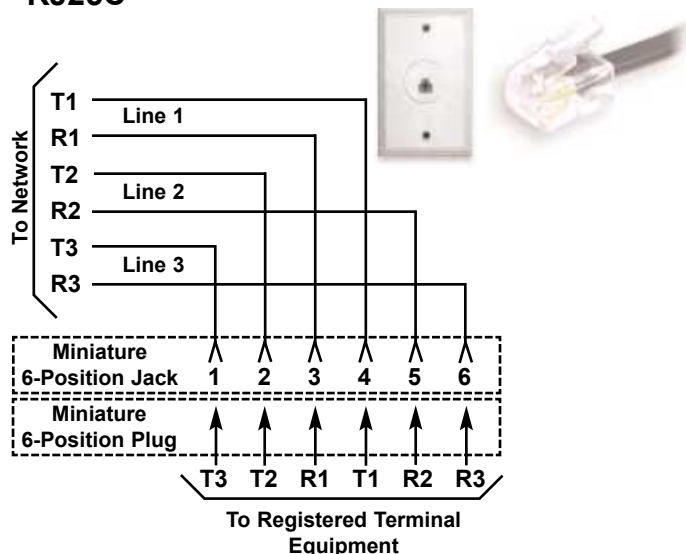
Made in the U.S.A.



B. Universal Service Order Code (USOC) RJ14C and RJ14W



C. Universal Service Order Code (USOC) RJ25C



Specifications

USOC: RJ14C Surface or flush mounted jack

USOC: RJ14W Wall mounted equipment

Mechanical Arrangement: Miniature 6-position jack

Typical Usage: Two line non-key telephone sets and ancillary devices. Two separate telephone lines

Electrical Network Connection: Two line bridged tip and ring

Specifications

USOC: RJ25C Surface or flush mounted jack

Mechanical Arrangement: Miniature 6-position jack

Typical Usage: Three line non-key telephone sets, ancillary devices, including message registration, automatic identification, outward dialing, and off premises station

Electrical Network Connection: Up to three line bridged connection

A. Universal Service Order Code (USOC) RJ21X

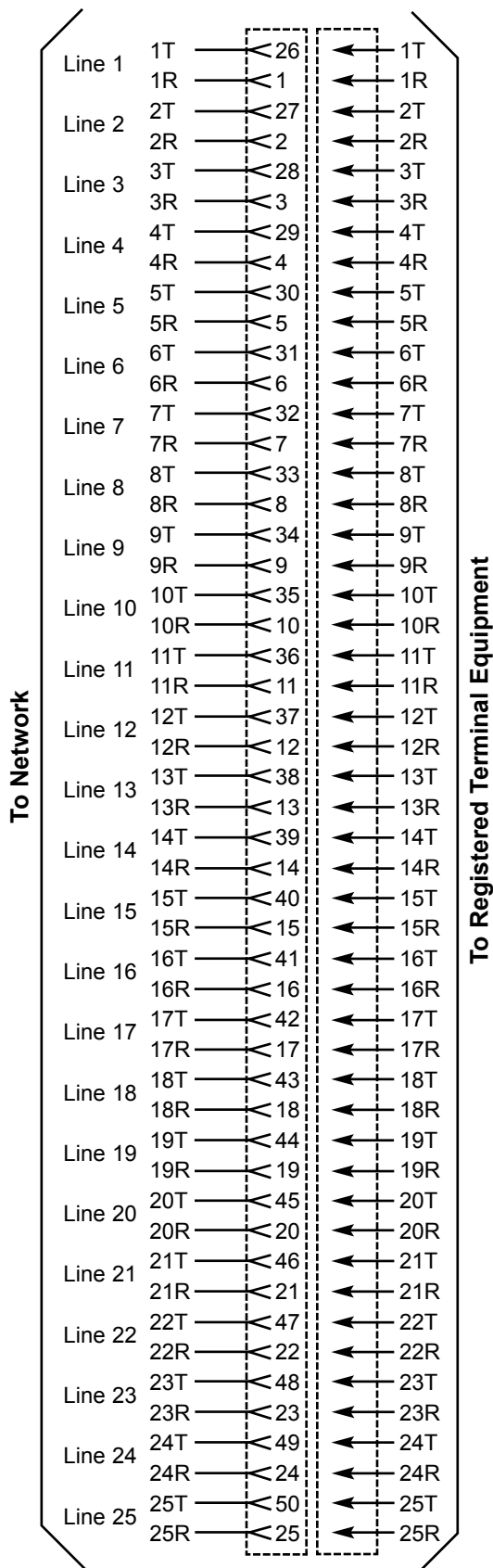
Specifications

USOC: RJ21X Panel mounted jack

Mechanical Arrangement: 50-position micro-ribbon jack

Typical Usage: Key telephones, PABX consoles, multi-line call sequencers, large line status equipment

Electrical Network Connection: 25 line bridged tip and ring



**RJ21X
(female)**



**RJ21X
(male)**



Product Support Line...715.386.8666

Fax Back Line...715.386.4345

Due to the dynamic nature of the product design, the information contained in this document is subject to change without notice. Viking Electronics, and its affiliates and/or subsidiaries assume no responsibility for errors and omissions contained in this information. Revisions of this document or new editions of it may be issued to incorporate such changes.