

CAUTION!

ATTENTION INSTALLERS: All Viking DNA-510 programming must be thoroughly tested for proper operation when installation is complete.

Advise users to test system periodically and report any irregularities.

IMPORTANT!

ATTENTION INSTALLERS: The DNA-510 Mass Notification Announcer, as well as attached PABX/KEY systems and paging amplifiers must be connected to an uninterruptible backup power supply (UPS) capable of powering all components for a minimum of one full work shift.*

* Emergencies requiring Mass Notification can occur hours after power has been lost. Protect lives and your liability by installing an UPS system along with the DNA-510.

Fill out wallet card, cut along dotted lines, laminate, and give to user.

**Viking DNA-510
User Instructions**

1) Dial: _____

2) Enter Access Code: _____

3) Enter digit to activate the following:
Live Page _____

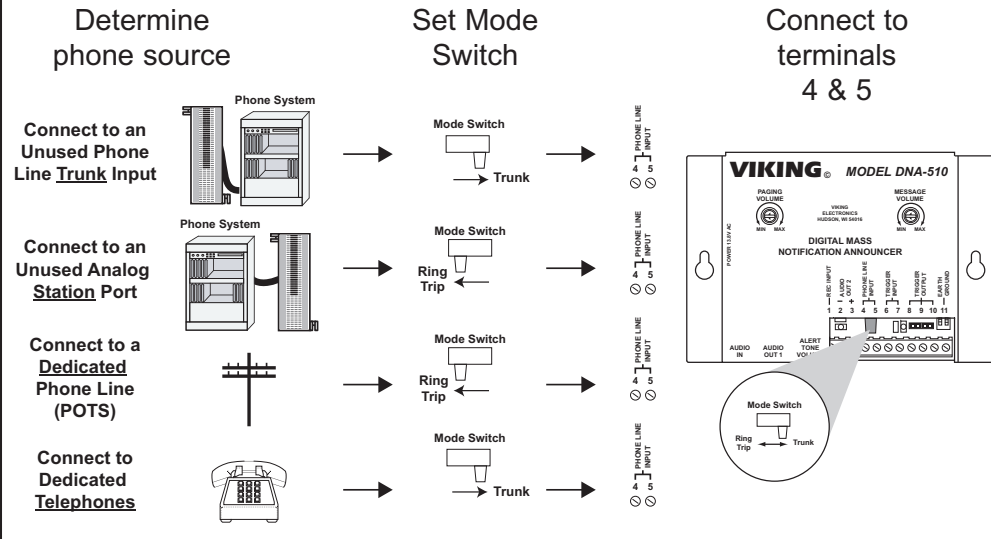
0 1 2 3 4 5 6 7 8 9 #

Stop alert, msg, or page

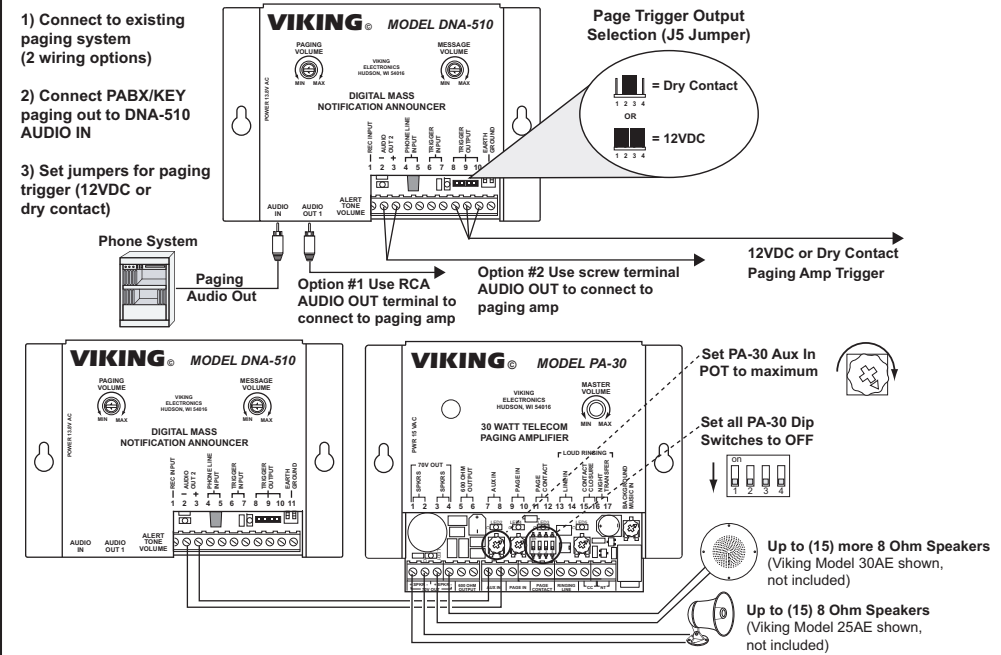
Viking Electronics, Inc. • Hudson, WI 54016 • Info: 715-386-8861
Product Support: 715-386-8666 • www.VikingElectronics.com

VIKING DNA-510 Quick Start Installation Guide

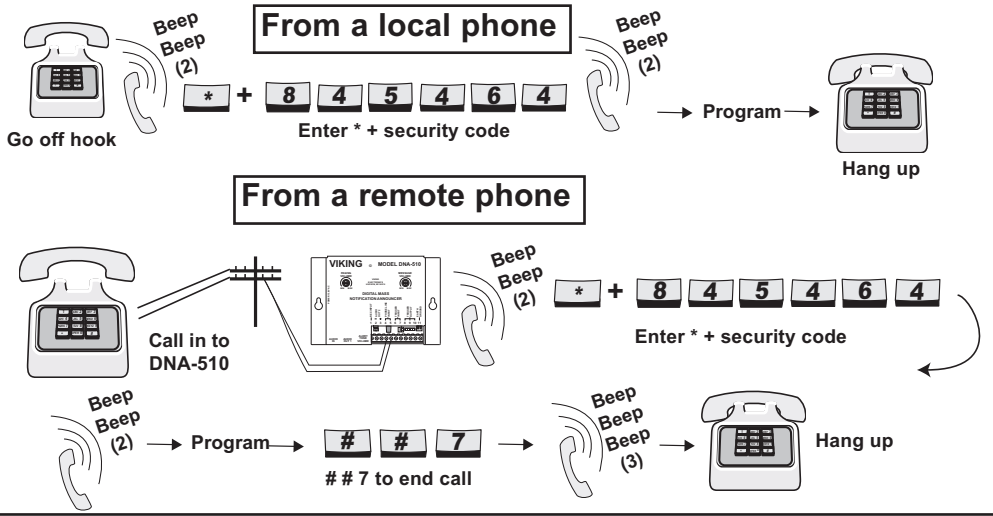
STEP 1: Connect phone source to DNA-510



STEP 2: Connect DNA-510 to existing paging system or PA-30



STEP 3: Enter the programming mode



STEP 5: Assign phone-in functions to touch tone buttons

- + # 3 1 To assign phone-in functions to Touch Tone button 1
- + # 3 2 To assign phone-in functions to Touch Tone button 2
- + # 3 3 To assign phone-in functions to Touch Tone button 3
- + # 3 4 To assign phone-in functions to Touch Tone button 4
- + # 3 5 To assign phone-in functions to Touch Tone button 5
- + # 3 6 To assign phone-in functions to Touch Tone button 6
- + # 3 7 To assign phone-in functions to Touch Tone button 7
- + # 3 8 To assign phone-in functions to Touch Tone button 8
- + # 3 9 To assign phone-in functions to Touch Tone button 9

Refer to chart below for 2-digit function assignment

Blank = Disabled	05 = Fast Whoop	11 = Play Message 1 and its pre-alert tone
00 = Hi/Low	06 = March Time Horn	12 = Play Message 2 and its pre-alert tone
01 = Code 3 Whoop	07 = Bell	13 = Play Message 3 and its pre-alert tone
02 = Attack Wail	08 = Buzzer	14 = Play Message 4 and its pre-alert tone
03 = Alert Siren	09 = All Clear Tone	15 = Play Message 5 and its pre-alert tone
04 = Fast Wail	10 = (not used)	

2-digit codes 00-09 play alert tones only

2-digit codes 11-15 play the pre-alert tones and messages programmed in Step 4

STEP 4: Format memory, record message(s), set repeat, assign pre-alert tones

Format Memory

* + 8 4 5 4 6 4 → Enter programming See Step 1 → Enter appropriate digit

- 1 (1) 2-minute message
- 2 (2) 1-minute messages
- 3 (3) 40-second messages
- 4 (4) 30-second messages
- 5 (5) 24-second messages

→ # 4 9 → Enter # 4 9 to complete memory formatting

Record Messages

- * 1 To record message #1
- * 2 To record message #2
- * 3 To record message #3
- * 4 To record message #4
- * 5 To record message #5

Enter appropriate digit → Record message → Press any digit to end

Set Message Repeat Counts

Enter 2-digit repeat count 01-99 or 00 for infinite

- # 1 1 To assign repeat counts to message #1
- # 1 2 To assign repeat counts to message #2
- # 1 3 To assign repeat counts to message #3
- # 1 4 To assign repeat counts to message #4
- # 1 5 To assign repeat counts to message #5

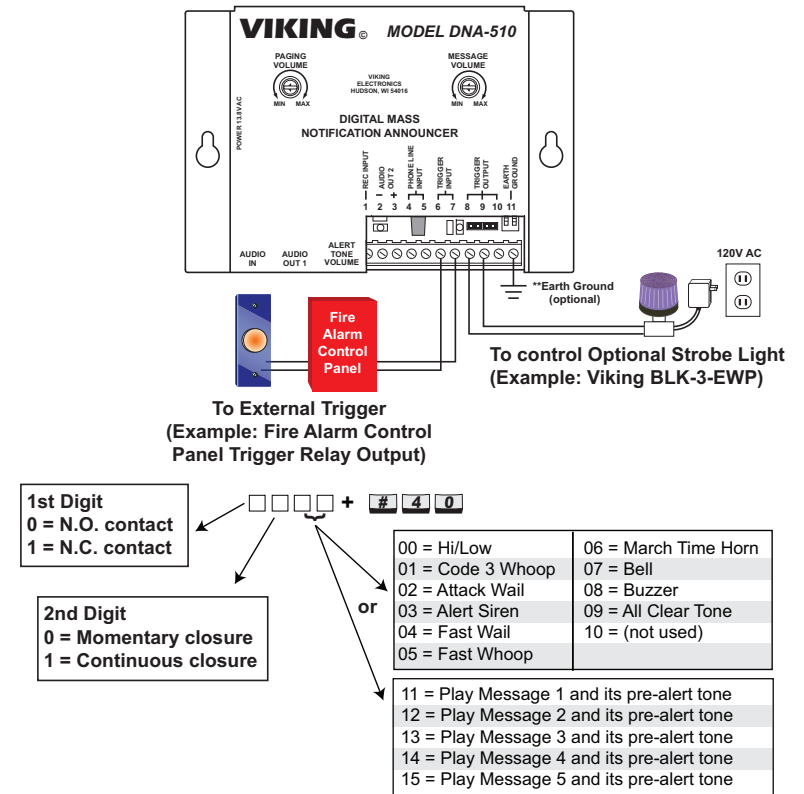
Assign 8-second pre-alert tone

Enter 1-digit alert tone

- # 2 1 To assign 8-second pre-alert tone to message #1
- # 2 2 To assign 8-second pre-alert tone to message #2
- # 2 3 To assign 8-second pre-alert tone to message #3
- # 2 4 To assign 8-second pre-alert tone to message #4
- # 2 5 To assign 8-second pre-alert tone to message #5

Blank = Disabled (default)	3 = Alert Siren	7 = Bell
0 = Hi/Low	4 = Fast Wail	8 = Buzzer
1 = Code 3 Whoop	5 = Fast Whoops	9 = All Clear Tone
2 = Attack Wail	6 = March Time Horn	

STEP 6: Install and program external trigger



NOTE: For complete installation instructions see the DNA-510 Product Manual, go to www.VikingElectronics.com and request DOD 492.