

# VIKING PRODUCT MANUAL

COMMUNICATION &amp; SECURITY SOLUTIONS

## Tower Phones

ADA Compliant  
Emergency Tower Phones

September 11, 2018

### ADA Compliant Tower Phones with Blue Steady On LED Beacon and Strobe Light

Viking Tower Phones provide added safety for your patrons, employees, and students with the addition of high visibility, ADA compliant communication. At the simple push of a button, the **E-1600A-AST-EWP** or **E-1600A-BLT-EWP** will initiate a call to your personnel and send a digital announcement to identify the location of the call. In addition, the tower phone's bright LED strobe light will instantly begin flashing to deter further activity and make it fast and easy for Police or Security personnel to locate the site of the call. The strobe light can also be programmed to provide a continuous-on lower intensity beacon when the phone is not in use.

Though the strobe requires external power to operate, rest assured that communication is possible, even during power failures! All phone numbers, location numbers and programming parameters are stored in non-volatile memory. No batteries are required to hold the memory.

These tower phones are equipped with Enhanced Weather Protection (**EWP**) for outdoor installations where the unit is exposed to precipitation or condensation. EWP products feature foam rubber gaskets, sealed connections, gel-filled butt connectors, as well as urethane or thermal plastic potted circuit boards with internally sealed, field-adjustable trim pots and DIP switches for easy on-site programming. For more information on EWP, see **DOD 859**.



E-1600A-BLT-EWP E-1600A-BLT2EWP E-1600A-AST-EWP E-1600A-AST2EWP

### Features

- **New Automatic Noise Canceling (ANC) feature for proper operation in noisy environments**
- Enhanced Weather Protection (EWP), EWP products are designed to meet IP66 Ingress Protection Rating (**DOD 859**)
- Meets ADA requirements for Emergency Phones:
  - Automatically lights the "Call Connected" LED
  - Transmits a unique location I.D. code or voice announcement
  - Grade 2 Braille label for the visually impaired
- 16 second non-volatile digital voice announcer
- High power LED strobe and beacon visual indicator:
  - High output / long life LED technology
  - 4 programmable flash patterns: single, double, quad and flicker
  - 6 programmable beacon and strobe brightness settings
- Advanced call progress detection
- Handsfree operation
- Phone line powered emergency phone (strobe requires power)
- Non-volatile memory (no batteries required)
- Marine grade 316 stainless steel and powder coated aluminum to prevent corrosion
- Dials up to 5 emergency numbers
- Cycles through backup phone numbers on busy or no-answer
- **E-1600A-AST2EWP** and **E-1600A-BLT2EWP** can also dial up to 3 "Info" numbers
- Hangs up on CPC, silence, busy, dial tone, time-out or touch tone
- Programmable to auto-answer on incoming calls
- Remotely programmable
- Central Station Monitoring capability (dials 2 numbers)
- Separate central station voice speed dial number
- Optional PB-100 Polling System available

### Applications

- Campus Auditoriums
- Parking Ramps/Lots
- Automated Tellers (ATM)
- Entryways
- Stairwells in Public Buildings

**CAUTION - When installing on an analog extension of a phone system:** Some phone systems do not conform to analog telecom standards and might not be compatible with the 1600A Series Emergency Phones. For a detailed description of the telephone line specifications required for any of the 1600A Series phones, retrieve **DOD 869**.

### Specifications

**Phone Power:** Telephone line powered. Minimum 24V DC talk battery voltage, with a minimum loop current of 20mA. Loop current may be boosted on low current lines with a Viking Model **TBB-1B** talk battery booster (**DOD 632**)

**Beacon/Strobe Power:** 120V AC/12V DC power adapter (included)

**Maximum Strobe Power Run:** 200 feet using 24 awg wire

**Dimensions:** 42" x 6" x 4.5" (1070mm x 152.4mm x 109.3mm)

**Shipping Weight:** 20 lbs (9.1 kg)

**Mounting:** Surface mount to rigid wall or post

**Environmental:** -15°F to 130°F (-26°C to 54°C) with 5% to 95% non-condensing humidity

**Strobe Flash Rate:** 60 flashes per minute (default), see page 7 for more info

**Maximum Strobe Light Output @ 15VDC:** Clear lens: 323 lumens, Amber lens: 242 lumens, Blue lens: 116 lumens, Red lens: 66 lumens

**Maximum Power Supply Run Length on CAT-5:** 1 pair = 125 ft, 2 pair = 225 ft, 3 pair = 325 ft, 4 pair = 475 ft

**Enclosure Material:** 0.125" aluminum, 3" x 6" (76.2mm x 152.4mm) tube, powder painted high-visible yellow

**Phone Panel Material:** 0.074" (14 gauge) 316 marine grade stainless steel with stainless steel button

**Strobe Material:** Vandal resistant polycarbonate plastic

**Connections:** Color-coded wires with gel-filled butt connectors

# Features Overview

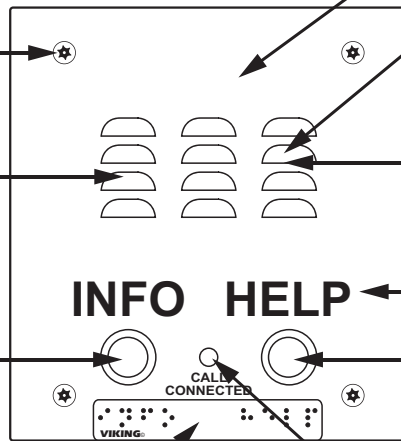
## Front View of the Phone Panel

**Mounting Screws:** (4) T-10 Torx head stainless steel, flat head, security screws and drive bit included.

**Microphone:** Omni-directional microphone with protective water-resistant cloth.

**“INFO” Push to Call Button (models E-1600A-AST2EWP and E-1600A-BLT2EWP only):** Solid 316 stainless steel internally sealed per IP67.

**Grade 2 Braille Label**



**Faceplate:** Marine grade 316 stainless steel.

**Speaker:** Mylar speaker with rubber gasket to maintain water-tight seal and eliminate water deterioration.

**Speaker Screen:** Speaker screen with 0.018" wide slots to prevent punctures from paperclips, etc.

**Laser Etched Graphics**

**“HELP” Push to Call Button:** Solid 316 stainless steel internally sealed per IP67.

**Red Call Connected LED**



**Mounting Screws:** (4) T-10 Torx head stainless steel, flat head, security screws and drive bit included.

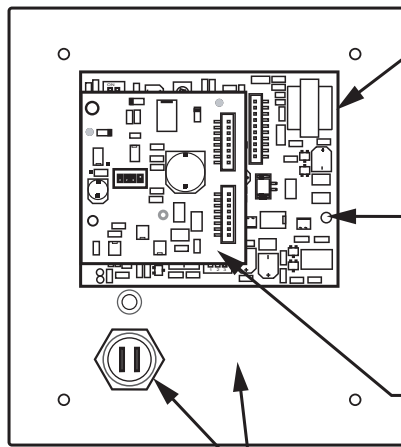
**SL-2 Strobe/Beacon:** Blue shatter resistant polycarbonate lens. Designed to meet IP66 ingress Protection Rating.

**Tower Chassis:** 8 gauge (0.125" thick) aluminum with weather-resistant high-visibility yellow powder paint.

**EMERGENCY or ASSISTANCE** lettered in black on three sides of the tower chassis.

**Rain Guard (included)**

## Rear View of the Phone Panel



**1600A Emergency Phone Board**

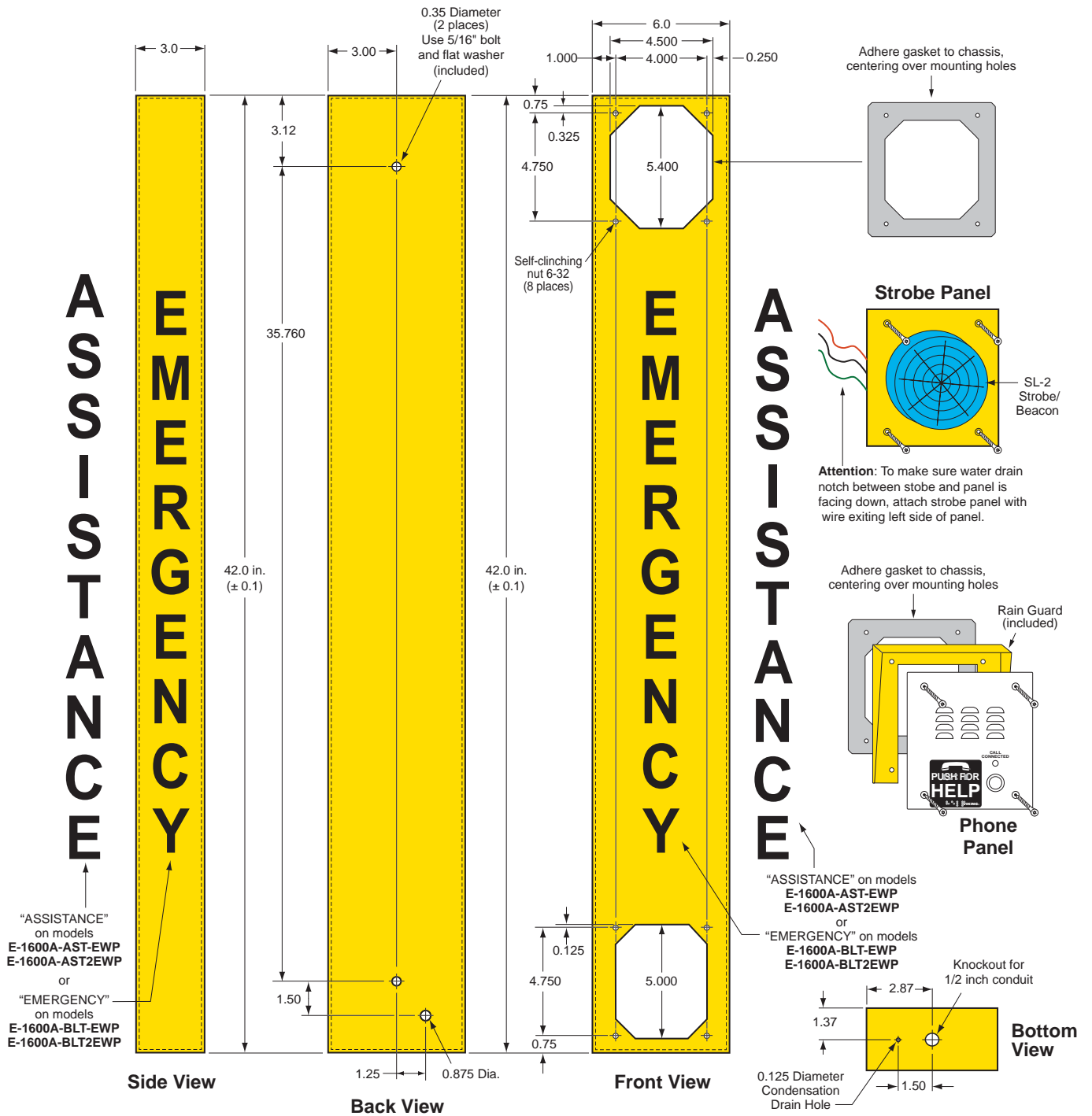
**Ring Connector (included)**

**\* Earth Ground (optional)**

**BLK-4 Control Module**

**Marine grade 316 stainless steel faceplate and push button switch (sealed per IP67)**

# Installation and Specifications

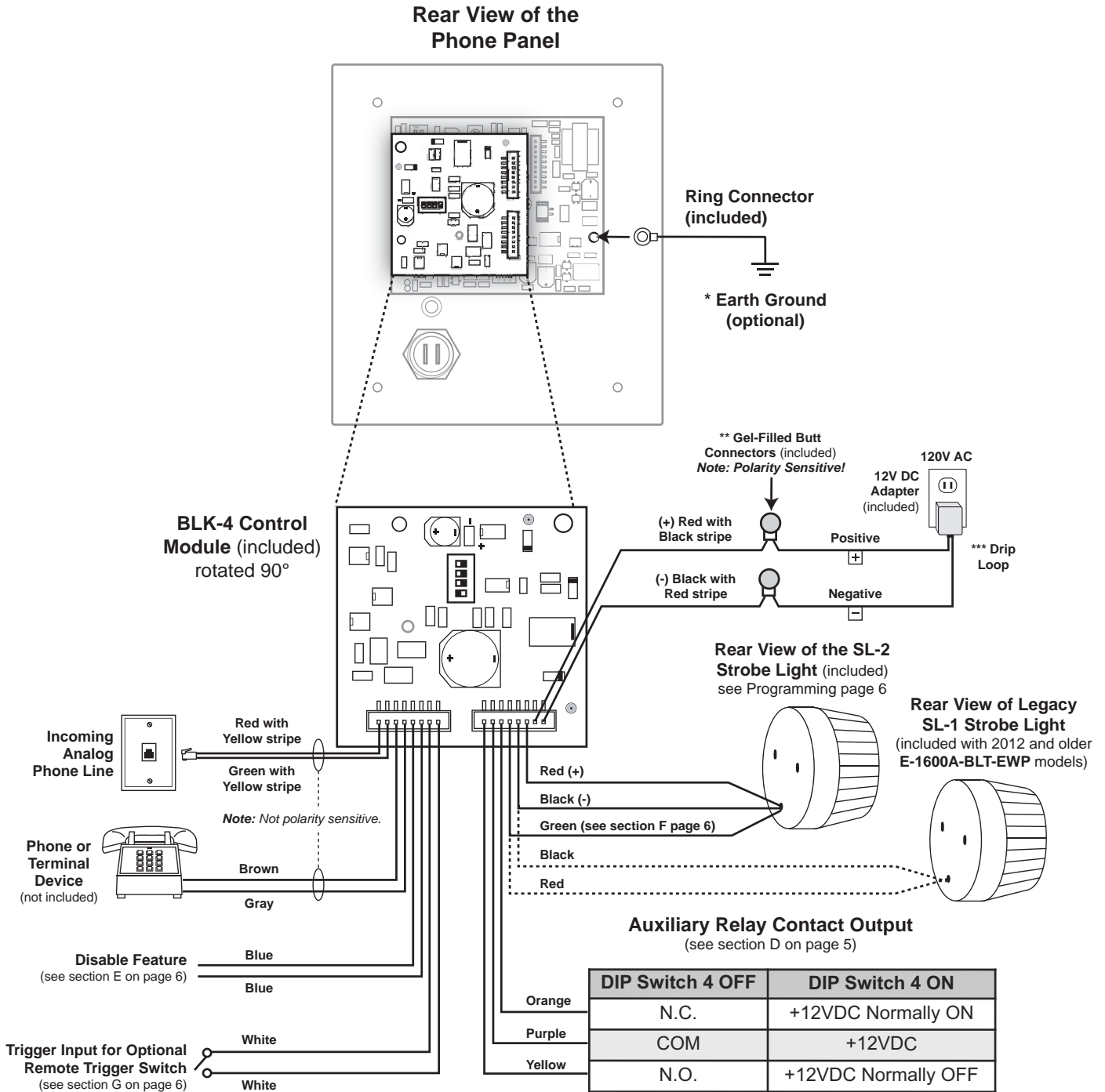


|                |   |
|----------------|---|
| <b>Step 1.</b> | Mount the tower phone approximately 42" above the floor to a flat, sturdy surface using 5/16 hardware. <b>Note:</b> Flat washers should be used on the main mounting bolts for additional strength.                               |
| <b>Step 2.</b> | Locate the strobe light panel and attach red, black and green 42" wire extensions with butt connectors then pass the red, black and green wires from the strobe panel through the gasket and the upper hole in the tower.         |
| <b>Step 3.</b> | Mount the strobe panel to the tower using the four security screws provided. <b>Attention:</b> To make sure water drain notch between strobe and panel is facing down, attach strobe panel with wires exiting left side of panel. |
| <b>Step 4.</b> | Locate the phone panel. Using the gel-filled butt connectors, connect the red, black and green wires labeled "Strobe Light" to the red, black and green wires on the strobe panel.  |
| <b>Step 5.</b> | Connect the phone line to the red and green wires (this connection is not polarity sensitive).  |
| <b>Step 6.</b> | Connect the 12V DC adapter wires (-) and (+) to the black with red stripe (-) and red with black stripe (+) wires from the BLK-4 control module.  |
| <b>Step 7.</b> | Mount the phone panel to the tower using the remaining four security screws.  |

# Wiring



**IMPORTANT:** Electronic devices are susceptible to lightning and power station electrical surges from both the AC outlet and the telephone line. It is recommended that a surge protector be installed to protect against such surges.



\* **Note:** To increase surge protection, loosen the PCB mounting screw labeled ⊕ (as shown) and fasten a wire with ring connector (included) from the mounting screw to Earth Ground (grounding rod, water pipe, etc.)

\*\* **Note:** The gel-filled (water-tight) butt connectors are designed for insulation displacement on 19-26 gauge wire with a maximum insulation of 0.082 inches. Cut off bare wire ends prior to terminating.

\*\*\* **Note:** When wires are routed from above, a “drip loop” is recommended to keep water away from the circuit board.

# BLK-4 Control Module Programming

## A. DIP Switches

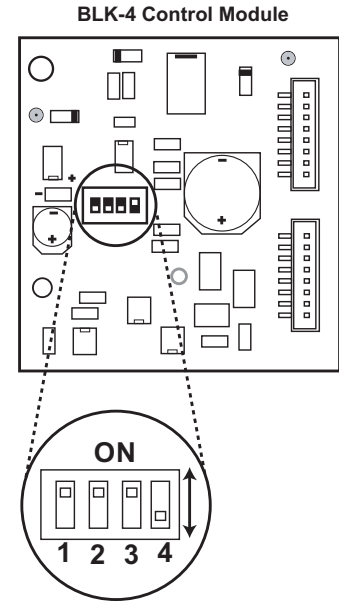
| Switch 1 | Switch 3 | Description (see section B)              |
|----------|----------|--|
| ON       | OFF      | Ring Detection Only                      |
| OFF      | ON       | Off-Hook/Loop Current Detection Only     |
| ON       | ON       | Ring and Off-Hook/Loop Current Detection |

| Switch 2 | Ring Cadence Mode (see section C)                               |
|----------|---|
| ON       | Ring Cadence Mode ON - relay remains activated in between rings |
| OFF      | Ring Cadence Mode OFF - relay is activated only during ringing  |

| Switch 4 | Auxiliary Relay Contacts (see section D) |
|----------|--|
| ON       | Wet (12VDC, 100mA maximum)               |
| OFF      | Dry (1 Amp maximum @ 30VDC)              |



## B. Configuring for Ring and/or Loop/Off-Hook Indication

### 1. Ring Indication Only

Place DIP switch **2** on the **1600A** phone board in the **OFF** position (not shown in the diagram - see **1600A Phone Board Programming** section J). **Note:** With DIP switch **2** in the **OFF** position, the **1600A** emergency phone board will not answer an incoming call. The **BLK-4** control module can monitor for ringing any place along the ringing line. Place DIP switch **1 ON** and DIP switch **3 OFF**.

### 2. Loop/Off-hook Indication Only

Place DIP switch **1 OFF** and DIP switch **3 ON**. In this configuration, the **E-1600A-AST-EWP** will only flash the strobe light while off-hook (while the emergency phone is in use).

### 3. Both Ring and Loop/Off-hook Indication

If the application requires ring and loop/off-hook indication, place DIP switch **1** and **3** in the **ON** position.

## C. Ring Cadence Mode

DIP switch **2** is used for switching between different ring detection modes. In the **OFF** position, the strobe light and relay will activate only while ring voltage is present and will turn off between rings. In the **ON** position, the strobe light and relay will remain on for up to 5.75 seconds after the ringing has stopped. This allows the strobe light and relay to remain on between rings of a standard ring cadence. **Note:** To use the Ring Cadence Mode, ring detection **MUST** be enabled (DIP switch **1 - ON**).

## D. Auxiliary Relay Contacts

With DIP switch **4 OFF**, normally open and normally closed dry relay contacts are available on the orange, purple and yellow wires. The contacts are rated at .5A @ 125VAC/1A @ 30VDC. If contacts are driving an inductive load, place a suppression device at the load to snub high voltage spikes.

With DIP switch **4 ON**, wet/switched +12VDC (100mA maximum) will be output on the yellow wire and “-” (GND) on the black wire.

## E. Disable Feature

The “Disable” input can be connected to a switch for remotely disabling/turning off the strobe light and the device controlled by the auxiliary contacts (camera, etc.). **Note:** The disable feature on the **E-1600A-AST2EWP** and **E-1600A-BLT2EWP** is factory pre-wired to the “Info” push button. This prevents the strobe from activating when the “Info” push button is pressed.



## F. Switched 12V DC Output

The switched 12V DC output is a low current, 12-15VDC output that is turned on only while the trigger input is closed or ring/loop detect relay is activated. This switched power output is ideal for triggering the included strobe light or providing 12-15V DC power to any device that draws less than 400mAmps. The positive side is available on the green wire, and the negative side is on the black wire. Once all the line and load connections have been made, plug in the 115 V AC wall adapter, and replace the cover.

## G. Trigger Input

The trigger input is available on the two white wires. The Strobe Light, Auxiliary relay contact and the switched 12 VDC output will be activated for the duration of the contact closure across the two white wires.

# Programming the SL-2 Strobe / Beacon

The **SL-2** can be user programmed as a Beacon only, Strobe only or Beacon/Strobe. The brightness setting can be programmed separately for the Strobe or Beacon and one of 4 different Flash Patterns can be programmed for the Strobe (See Strobe Flash Patterns, section D). **Note:** *The **SL-2** is factory default programmed as a steady on beacon with a single flash strobe when activated. The beacon and strobe are set to their brightest settings. All programming should be done prior to connecting to the **BLK-4** control module.*

## A. Accessing the Programming Mode

(Optional, the **SL-2** is factory programmed to the Beacon/Strobe Mode and brightest Beacon/Strobe settings).

|                |  |
|----------------|--|
| <b>Step 1.</b> | Apply 10-15 VDC power to the Red (+) and Black (-) wires.  |
| <b>Step 2.</b> | Touch and hold the Green (Control) wire to the Black (-) wire for 3 seconds. The strobe should flash twice. You are now in Programming mode. <b>Note:</b> <i>Once in the programming mode, if a programming command has not been entered for 20 seconds the strobe will flash 3 times indicating the unit has exited programming and returned to the Run Mode.</i> |

## B. Programming Desired Features (after accessing Programming Mode above)

**Select the Feature:** Momentarily touch the Green (Control) wire to the Black (-) wire 1 to 10 times to select which feature to program (see Programming Features List, section C). The strobe should momentarily flash each time the Green (Control) wire has touched the Black (-) wire.

**Features 1-3 & 6-10:** After selecting Programming Features 1-3 or 6-10, wait 3 seconds and the strobe should flash 2 times indicating that feature has been programmed. You can now exit programming or move on to programming the Beacon or Strobe brightness settings.

**Setting Strobe Brightness** (factory set to 6/Brightest): After selecting Programming Feature 4 (Strobe Brightness), wait 3 seconds and the strobe should begin flashing in the preprogrammed flash pattern. Touch and hold the Green (Control) wire to the Black (-) wire. The **SL-2** will begin flashing the strobe cycling through 6 different brightness settings from lowest to highest. When the **SL-2** flashes at the desired brightness level immediately remove the Green wire from the Black. The **SL-2** should flash twice indicating the selected brightness level has been set.

**Setting Beacon Brightness** (Factory set to 6/Brightest): After selecting Programming Feature 5 (Beacon Brightness), wait 3 seconds and the beacon will light at its preprogrammed beacon brightness setting. Touch and hold the Green (Control) wire to the Black (-) wire. The **SL-2** will begin stepping through 6 different beacon brightness settings from lowest to highest. When the **SL-2** lights at the desired beacon brightness level immediately remove the Green wire from the Black. The **SL-2** should flash twice indicating the selected brightness level has been set.

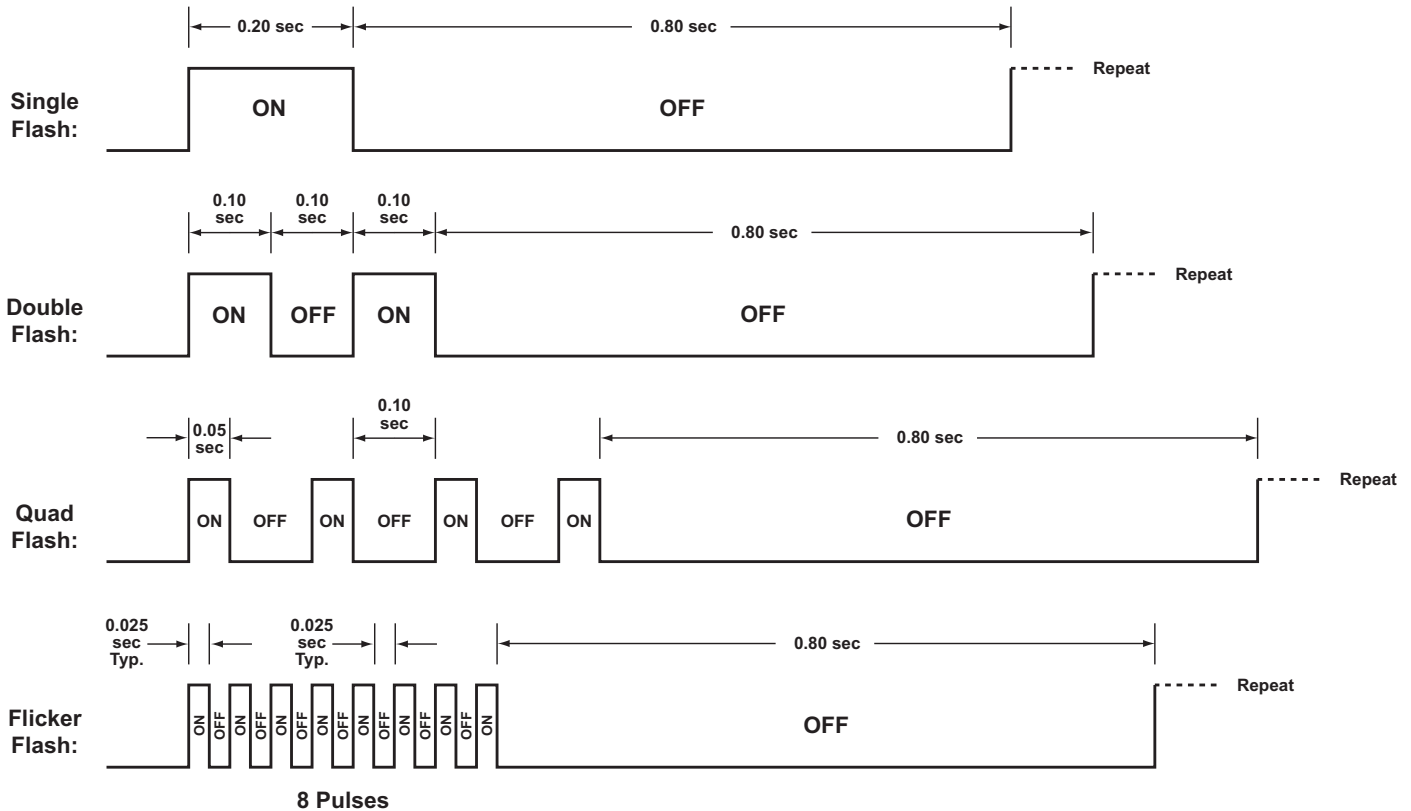
**Exiting Programming:** To exit programming simply wait 20 seconds from the last programming command and the unit will flash 3 times. This indicates the **SL-2** has exited the programming mode and is now in the Run mode. **Note:** *To eliminate waiting 20 seconds, you can also exit programming after the last programming command by touching and holding the Green (Control) wire to the Black (-) for 3 seconds. The strobe will flash 3 times indicating the unit has exited the programming mode and is now in the Run mode.*

## C. Programming Features List

| Feature | Description  |
|---------|--|
| 1       | Beacon/Strobe (factory default)                        |
| 2       | Strobe Only  |
| 3       | Beacon Only  |
| 4       | Strobe Brightness 1-6 (factory default = 6, brightest) |
| 5       | Beacon Brightness 1-6 (factory default = 6, brightest) |

| Feature | Description                           |
|---------|---------------------------------------|
| 6       | Single Flash Strobe (factory default) |
| 7       | Double Flash Strobe                   |
| 8       | Quad Flash Strobe                     |
| 9       | Flicker Flash Strobe                  |
| 10      | Reset to Factory Default Settings     |

## D. Strobe Flash Patterns



## Operation

### A. Ring Indication (DIP Switch 1 ON)

When the control module detects an incoming ring signal, it activates a set of normally open or normally closed contacts and turns on the 12VDC output for activating the provided strobe light. With the Ring Cadence mode off (DIP switch 2 OFF), the relay will activate and the strobe light will flash only during ringing. With the Ring Cadence mode ON (DIP switch 2 ON), the relay will remain activated and the strobe light will remain flashing between rings.

### B. Off-Hook Indication (DIP Switch 3 ON)

When the control module detects an off-hook condition (“Help” button is pressed) on the brown and gray wires, it activates a set of normally open or normally closed contacts and turns on the 12VDC output for activating the provided strobe light. The relay contacts will remain activated and the blue strobe light will flash during the off-hook condition and will stop flashing approximately 3 seconds after the phone/terminal device on the brown and gray wires is back on-hook. **Note:** A call initiated from the “Info” push button on the **E-1600A-AST2EWP** or **E-1600A-BLT2EWP** will not activate the strobe light.

# 1600A Phone Board Programming

## A. Accessing the Programming Mode

The **1600A Series** phones can be programmed from any Touch Tone phone using a C.O. line, analog PABX/KSU station, or a **DLE-200B** Line Simulator. For more information on the **DLE-200B**, see **DOD 605**.

### 1. Using the Security Code

|                |  |
|----------------|--|
| <b>Step 1.</b> | Move DIP switch 2 to the <b>ON</b> position (sets unit to answer incoming calls, see section <b>J</b> ).   |
| <b>Step 2.</b> | From a Touch Tone phone call the line attached to the <b>1600A Series</b> phone.   |
| <b>Step 3.</b> | When the <b>1600A Series</b> phone answers, enter the 6-digit security code (factory set to <b>845464</b> , see section <b>C</b> ). A double beep should then be heard indicating you have entered the programming mode. |

### 2. Without the Security Code

|                |   |
|----------------|---|
| <b>Step 1.</b> | Move DIP switch 2 to the <b>ON</b> position (sets unit to answer incoming calls, see section <b>J</b> ).                          |
| <b>Step 2.</b> | Move DIP switch 3 to the <b>OFF</b> position (incoming calls enter programming without security code, see section <b>J</b> ).     |
| <b>Step 3.</b> | From a Touch Tone phone call the line attached to the <b>1600A Series</b> phone.  |
| <b>Step 4.</b> | When the <b>1600A Series</b> phone answers, a double beep should then be heard and will automatically enter the programming mode. |
| <b>Step 5.</b> | When finished programming, move DIP switch 3 back to the <b>ON</b> position (see section <b>J</b> ).                              |

**Warning:** Failure to do step 5 above will cause the **1600A Series** phone to call Viking Technical Support instead of your programmed number. See Section I, Assisted Programming.

**Note:** If a valid memory position is entered, a double beep will be heard, four beeps indicate an error.

## B. Quick Programming Features

| DESCRIPTION  | DIGITS      | +    | MEMORY LOCATION  |
|--|-------------|------|------------------|
| First "HELP" speed dial number   | 0-20 digits | then | <b>#00</b>       |
| Second "HELP" speed dial number  | 0-20 digits | then | <b>#01</b>       |
| Third "HELP" speed dial number   | 0-20 digits | then | <b>#02</b>       |
| Fourth "HELP" speed dial number  | 0-20 digits | then | <b>#03</b>       |
| Fifth "HELP" speed dial number   | 0-20 digits | then | <b>#04</b>       |
| Central station receiver number  | 0-20 digits | then | <b>#05</b>       |
| Central station voice number   | 0-20 digits | then | <b>#06</b>       |
| First "INFO" speed dial number (E-1600A-AST2EWP and E-1600A-BLT2EWP only)  | 0-20 digits | then | <b>#07</b>       |
| Second "INFO" speed dial number (E-1600A-AST2EWP and E-1600A-BLT2EWP only) | 0-20 digits | then | <b>#08</b>       |
| Third "INFO" speed dial number (E-1600A-AST2EWP and E-1600A-BLT2EWP only)  | 0-20 digits | then | <b>#09</b>       |
| Voice announcer / miscellaneous options (factory set to 000210)            | 6 digits    | then | <b>#17</b>       |
| Timing/Dialing options (factory set to 234721)                             | 6 digits    | then | <b>#18</b>       |
| Security code (factory set to 845464)                                      | 6 digits    | then | <b>#19</b>       |
| Identification number (factory cleared)                                    | 0-20 digits | then | <b>#20</b>       |
| Second central station identification number (factory cleared)             | 0-20 digits | then | <b>#21</b>       |
| To clear any speed dial number   | (no digits) | then | <b>#00 - #09</b> |
| To add a * at any point in the dialing string                              | **          |      |                  |
| To add a # at any point in the dialing string                              | *#          |      |                  |
| To add a four second pause at any point in the dialing string              | *7          |      |                  |
| Diagnostic tones (used to check mic and speaker operation)                 | *0          |      |                  |
| Exit programming and disconnect  | #7          |      |                  |
| Reset all programming to factory default settings                          | ###         |      |                  |

**Note:** A double beep indicates a valid memory position, four beeps indicate an error.



### C. Security Code (memory location #19)

The security code allows the user/installer to program the **1600A** series phone while DIP switch **3** is in the **ON** (normal) position. The factory set security code is 845464 (V-I-K-I-N-G). It is recommended that the factory set security code be changed. **Example:** To store 123456 as the security code:

|                |  |
|----------------|--|
| <b>Step 1.</b> | Access programming as shown in <b>Programming</b> section <b>A</b> . |
| <b>Step 2.</b> | Enter <b>123456 #19</b> ..   |
| <b>Step 3.</b> | Hang-up..  |

|                                       |                      |                      |                      |                      |                      |
|---------------------------------------|----------------------|----------------------|----------------------|----------------------|----------------------|
| <b>Enter Your Security Code Here:</b> |                      |                      |                      |                      |                      |
| <input type="text"/>                  | <input type="text"/> | <input type="text"/> | <input type="text"/> | <input type="text"/> | <input type="text"/> |
|                                       |                      |                      |                      |                      | <b>#19</b>           |

**Note:** The security code must be 6 digits and cannot include a \* or a #.

### D. Speed Dial Numbers

**Note:** Up to 20 digits can be stored in each dial position. Special features such as pause, mode change, Touch Tone \* and # count as single digits.

#### 1. "HELP" / "CALL" Speed Dial Numbers (memory locations #00 - #04)

The help speed dial number programmed in location **#00** is the number that is dialed when the "HELP" / "CALL" button is first pressed. Additional speed dial numbers will be dialed when there is no answer or a busy signal is detected and the next number redial features are activated. To program, enter the desired speed dial number followed by the location number (**#00 - #04**). To clear a speed dial location, simply enter the memory location (**#00 - #04**) alone. The **1600A** series phone is factory set with no speed dial number programmed.

| To Program:    | Enter:         |
|----------------|----------------|
| *              | **             |
| #              | *#             |
| 4 second pause | *7             |
| 0, 1, 2 .... 9 | 0, 1, 2 .... 9 |

#### 2. "INFO" Speed Dial Numbers (E-1600A-AST2EWP / E-1600A-BLT2EWP) (memory locations #07 - #09)

The information speed dial number programmed in location **#07** is the telephone or extension number that is dialed when the "INFO" button is first pressed. Additional information speed dial numbers will be dialed when there is no answer and the next number redial feature is activated. The **E-1600A-AST2EWP / E-1600A-BLT2EWP** phone will cycle through the programmed speed dial numbers until answered. To program, enter the desired speed dial number followed by the location number (**#07 - #09**). To clear a speed dial location, simply enter the location (**#07 - #09**) alone.

#### 3. Speed Dial Programming Examples

| To Program the 1600A Series Phone...  | Step 1 - See section A   | Step 2 - Enter Digits:          |
|---|--------------------------|---------------------------------|
| ...to store 555-1234 as the first speed dial number   | <b>Enter Programming</b> | <b>5 5 5 1 2 3 4 # 0 0</b>      |
| ...to store a Touch Tone 9, a four second pause and then 333-4444 into the second "Info" speed dial memory position | <b>Enter Programming</b> | <b>9 *7 3 3 3 4 4 4 4 # 0 8</b> |
| ...to clear the first speed dial number   | <b>Enter Programming</b> | <b># 0 0</b>                    |

### E. Identification Number (memory location #20)

The Touch Tone I.D. number (up to 20 digits) is used by assistance personnel to identify the location of the caller and is given out when the receiving party presses a Touch Tone \*. The security office can display the number using a Touch Tone decoder. To program the I.D. number, enter the desired number followed by **#20**. **Example:** To store 333 as the I.D. number, enter: **3 3 3 # 2 0**



### Setting E - Dial Next Number on Busy

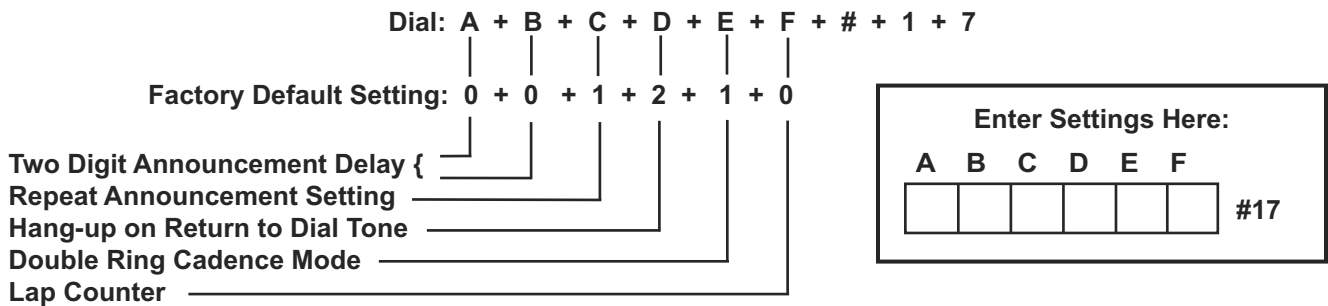
If enabled and a busy is detected, the **1600A** series phone will dial the next programmed speed dial number, and continue to cycle through the numbers until a call is completed. \* **Notes:** *This feature is enabled in the factory default setting. If the busy signal is interrupted with a promotional message, contact your central office to have it removed.*

| Touch Tone | Setting E |
|------------|-----------|
| 1          | Disabled  |
| 2          | Enabled*  |

### Setting F - Future Use (set to 1)

## G. Voice Announcer/Miscellaneous Options (memory location #17)

The **1600A** series phones have a built-in non-volatile digital voice announcer that may be used to identify the location of the phone call. The 16 seconds of digital record time is recorded remotely from a Touch Tone phone. Programming options are as follows:



### Settings A and B - Announcement Delay

The **1600A** series phone is factory set to automatically start playing the voice announcement after it has determined the call has been answered. Alternately, the announcement may be programmed to play after a programmed amount of time, from 1 to 99 seconds after dialing.

| Touch Tone | Setting A/B        |
|------------|--------------------|
| 00         | Play automatically |
| 01-99      | 1-99 seconds*      |

\* **Note:** *If the announcement delay time is used, you must allow enough time for the **1600A** series phone to detect ring-no-answer and busy signals when using the redial features. The factory default is set to play automatically.*

### Setting C - Repeat Announcement Option

The **1600A** can be programmed to play the announcement from 1-9 times, or to continuously repeat the announcement every 8 seconds until a Touch Tone \* is detected from the distant party. The call connected LED will turn on automatically after the announcement has stopped repeating.

| Touch Tone | Setting C           |
|------------|---------------------|
| 0          | repeat every 8 secs |
| 1-9        | Play 1-9 times*     |

\* **Note:** *The factory default for the **1600A** series phone is to play the voice announcement once (digit 1).*

### Setting D - Hang Up on Return to Dial Tone

If enabled and a return dial tone is detected, the **1600A** will hang up.

\* **Note:** *The factory default setting is enabled.*

| Touch Tone | Setting D |
|------------|-----------|
| 1          | Disabled  |
| 2          | Enabled*  |

## Setting E - Double Ring Cadence Mode

The **1600A** series phone can be programmed to recognize the double ring cadence that is typical of many phone systems. If the **1600A** series phone is connected to an extension that provides a double ring cadence, enabling this mode will allow for proper call progress detection.

| Touch Tone | Setting E |
|------------|-----------|
| 1          | Disabled* |
| 2          | Enabled   |

\* **Note:** This feature is disabled in the factory default setting.

## Setting F - Lap Counter

With the lap counter disabled (factory setting), if the **1600A** series phone is programmed to dial the next number on ring-no-answer and/or busy signal (see page 6-7), the **1600A** series phone will continuously call its programmed phone numbers forever until the call is answered.

| Touch Tone | Setting F             |
|------------|-----------------------|
| 1          | Disabled*             |
| 2          | Lap count = 1-9 times |

The lap counter is a programmable counter that determines how many times the **1600A** series phone will cycle through its list of up to 5 emergency number (or up to 3 "Info" phone numbers), before it stops the dialing process and hangs up. When all of the programmed phone numbers have been dialed, the lap counter is incremented and the dialing process repeats. When the lap counter has been met, the dialing process stops and the **1600A** series phone hangs up. \* **Note:** This feature is disabled in the factory default setting.

## H. Recording the Announcement

|                |  |
|----------------|--|
| <b>Step 1.</b> | Call into the <b>1600A</b> series phone with a Touch Tone phone and access programming.            |
| <b>Step 2.</b> | Enter *4, wait for the tone and then begin recording. Sixteen seconds of record time is available. |
| <b>Step 3.</b> | Enter any Touch Tone to stop the recording. Playback is automatic.                                 |
| <b>Step 4.</b> | Enter *5 to review the announcement again.   |
| <b>Step 5.</b> | If you choose to not use a voice announcement, enter *3 to clear the recording.                    |

**Example:** "Elevator number 1215, located in the Financial Building, needs assistance. Press the asterisk (\*) key on your telephone to hear this announcement again."

## I. Assisted Programming

When attempting to program the **1600A Series** phone, if the phone number of the line it is connected to is not known, the phone can be set to automatically call Viking technical support for assistance. With DIP switch 3 set to OFF (programming mode), pushing the CALL button will cause the **1600A Series** phone to call Viking, whether it be connected directly to a CO line, or behind a "dial 9" PBX.

The **1600A Series** phone will first dial 9, and then listen for second dial tone; if detected it will continue to dial Viking's assisted programming phone number. If a second dial tone is not detected, it then knows is not behind a PBX, so it will momentarily hang up and then directly dial Viking's assisted programming phone number. Since this is a long distance phone call, the line must be capable of placing long distance calls for the call to go through. When finished programming, it is very important to set DIP switch 3 back to ON (normal operating mode), and place a test emergency call to be sure all programming was done properly.

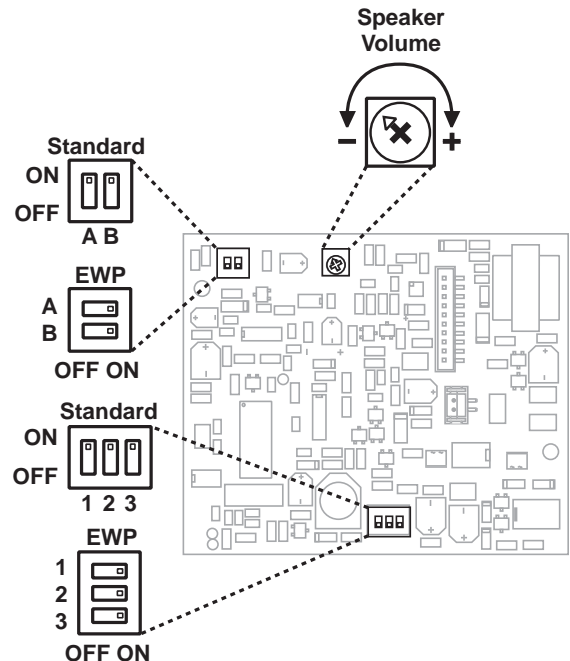
**Warning:** Failure to set DIP switch 3 back to ON when finished programming will cause the **1600A Series** phone to call Viking Technical Support, instead of your programmed number. Yet, as a fail-safe measure, after 3 calls to Viking, the unit will ignore switch 3 and dial its programmed phone numbers.

## J. DIP Switch Programming/Speaker and Microphone Adjustments

A speaker volume POT is provided to increase or decrease the speakerphone volume. **Note:** The Microphone Sensitivity POT has been removed because the microphone sensitivity is now microprocessor controlled. This allows the mic gain to be automatically increased in a quiet environment, allowing the distant party to clearly hear even soft or distant sounds. The microprocessor will automatically reduce the mic sensitivity when the location becomes noisy. This Automatic Noise Canceling (ANC) feature will allow speakerphone two-way communications to work properly, even when subjected to loud noise such as a diesel engine or traffic.

| Switch A | Switch B | Description  |
|----------|----------|--|
| ON       | ON       | Normal audio detection   |
| OFF      | OFF      | Increase audio detect sensitivity for low level lines. Useful in applications in which voice or busy signals have trouble breaking over the speaker. |

| DIP Switch | Position | Description  |
|------------|----------|--|
| 1          | ON       | “CALL” button alternately connects and disconnects calls (factory default)   |
| 1          | OFF      | “CALL” button connects calls only  |
| 2          | ON       | Incoming calls answered (factory setting)  |
| 2          | OFF      | Incoming calls are not answered  |
| 3          | ON       | Normal operation mode (factory setting)  |
| 3          | OFF      | Learn mode - Any incoming calls are automatically entered into the programming mode (no security code required). Use this option if you have forgotten your security code. Any outbound call will dial Viking Technical Support (see section I). <b>Warning: When finished programming, set this switch back to the ON position, otherwise the 1600A Series phone will only call Viking Technical Support instead of your programmed number.</b> |



## K. Central Station Programming

The standard 1600A assistance phone is capable of communicating using the “Ademco Contact I.D.”, “Ademco High Speed”, “DTMF 4+1 Express”, or the “DTMF 4+2 Express” formats. All formats use the programming memory location #20 to store the account code and alarm details.

### 1. Central Station Programming Features

#### a. Accessing the Programming Mode

Before programming, you must access the programming mode (see **Programming** section A).

#### b. Enabling/Disabling Central Station Mode

The 1600A Series assistance phone can be placed in the “Central Station Mode” by entering a central station phone number in position #05 while programming. To cancel the “Central Station Mode,” clear position #05 by entering #05 only (see **Programming** section D).

| To Program the 1600A Series Phone...                       | Step 1:           | Step 2 - Enter Digits: |
|--|-------------------|------------------------|
| ...to enable central station programming and dial 952-2567 | Enter Programming | 9 5 2 2 5 6 7 # 0 5    |
| ...to disable central station programming                  | Enter Programming | # 0 5                  |

#### c. Ring No Answer

When the 1600A Series emergency phone is in the “Central Station Mode”, it is best to have the ring no answer set to a minimum of three, because some receivers send a long tone after answering the line that sounds like a ring back. If the 1600A is set to a ring no answer of two, the phone will disconnect (see **Programming** section F).

**d. Speed Dial Numbers**

The **1600A** Series phone can be programmed to dial a central station receiver only, or dial up to 5 voice numbers first, and if no answer, then dial the central station receiver. When calling the first numbers (memory positions **#00-#04** (see **Programming** section **D**), the phone stays in “two-way talk mode” allowing two-way conversation. When calling the Central Station number (memory position **#05**), the phone is in a “listen only mode” in order to interpret the hand shake signals of the receiver.

A second central station number position has been provided in location **#06** that is used when the central station receiver does not have a talk over mode. If a number is placed in position **#05** and position **#06** is cleared, the **E-1600A** will call the central station monitor receiver. One or two alarm messages can be sent to the receiver (see **Operation** section **B**, note **3**). After the receiver sends a kiss-off, the **E-1600A** lights the “Call Connected” LED and goes into two-way talk mode. If numbers are in both positions **#05** and **#06**, the **E-1600A** will call the receiver first, and after the kiss-off, will hang-up and redial the number in position **#06** for two-way voice communication.

**Notes:** If only a central station is to be dialed, the central station phone number must be preprogrammed in memory location **#05** and memory locations **#00-#04** must be cleared.

| Location | Call Type   |
|----------|---|
| #00      | Voice - Emergency   |
| #01      | Voice - Emergency   |
| #02      | Voice - Emergency   |
| #03      | Voice - Emergency   |
| #04      | Voice - Emergency   |
| #05      | Central Station Receiver                                  |
| #06      | Central Station Voice Line                                |
| #07      | Voice - “Info” (E-1600A-AST2EWP and E-1600A-BLT2EWP only) |
| #08      | Voice - “Info” (E-1600A-AST2EWP and E-1600A-BLT2EWP only) |
| #09      | Voice - “Info” (E-1600A-AST2EWP and E-1600A-BLT2EWP only) |

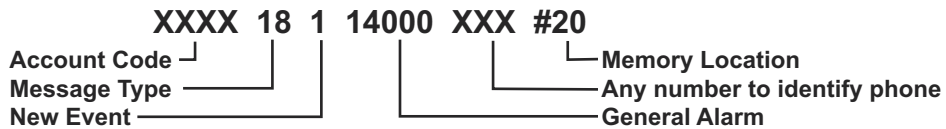
**2. Central Station Formats**

The following examples explain the receiver formats and how to properly program memory location **#20**. Each format starts with a four digit account code. This is the code that is assigned by your central station for billing purposes. You must access the programming mode before programming these features (see **Programming** section **A**). **Important:** If a number is shown, you must use that number. If an “X” is shown, use any appropriate number.

**Note:** A second information alarm message can be sent to the receiver, for any receiver that requires two separate messages. The second alarm message is programmed in **#21** location. For additional information about the second alarm message, see **Operation** section **B**.

**a. Ademco Contact ID Format**

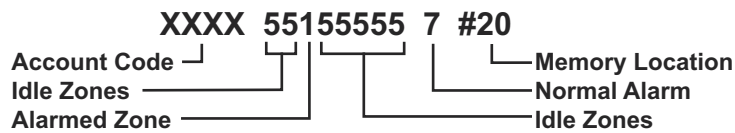
This DTMF format consists of a four digit account code, two digit message type, and a nine digit data field.



Enter Contact ID Settings Here:      #20

**b. Ademco High Speed Format**

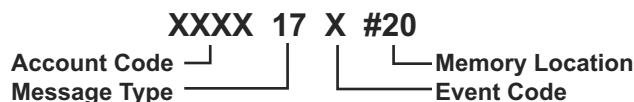
This DTMF format consists of a four digit account code, eight zone codes and one alarm type digit. With this format you can identify up to eight different phones by using a zone per phone. A “5” in a zone position means no alarm. The following example shows an alarm from the third phone.



Enter Ademco High Speed ID Settings Here:    #20

**c. 4+1 Express Format**

This DTMF format consists of a four digit account code, two digit message type, and a single digit event code.

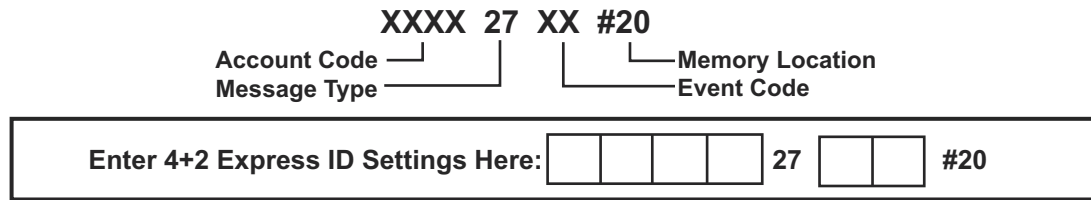


Enter 4+1 Express ID Settings Here:    #20



#### d. 4+2 Express Format

This DTMF format consists of a four digit account code, two digit message type, and a two digit event code.



## Operation

### A. Standard Operation

#### 1. “HELP” / “CALL” Button

When the “HELP” / “CALL” button is pressed, the **1600A** series phone goes off-hook and dials a pre-programmed telephone number. The Call Connected LED momentarily flashes during tone or pulse dialing. In the event the line is busy or there is a ring-no-answer, the unit can be programmed to call additional phone numbers. The phone then cycles through up to 5 pre-programmed emergency numbers until the call is answered. When the call is answered, the digital voice announcer will automatically play to identify the location of the emergency call. The phones are factory programmed to play the announcement once, and the automatically light the “Call Connected” LED to show that handsfree communication to emergency personnel is established. The \* key will send the I.D. number (if programmed), and play the announcement again. The distant party will know the location of the emergency call by either the voice announcement or by decoding the touch tone I.D. number. Once the “Call Connected” LED is on, the # key can be used to force the phone to hang up.

#### 2. “INFO” Button (E-1600A-AST2EWP / E-1600A-BLT2EWP only)

When the “INFO” button is pressed (**E-1600A-AST2EWP** or **E-1600A-BLT2EWP** only), the phone goes off-hook and dials the first “INFO” phone number programmed. If a busy signal is detected or the call goes unanswered, the phone will cycle through all three “INFO” phone numbers until the call is answered. When answered, handsfree communication is established. **Note:** *The voice announcement is for Help calls only and will not play on a call initiated from the “INFO” button.*

### B. Central Station Operation

After the “HELP” / “CALL” button on the **1600A** Series phone has been pressed the **1600A** Series phone will begin to dial. If a voice number is programmed in memory locations **#00-#04**, these numbers will be dialed first. Upon detecting a busy signal or after a preprogrammed ring delay the **1600A** Series phone will hang-up and dial the central station phone number stored in memory location **#05**. When the central station receiver answers, it will send a handshake tone to the **1600A** phone. Upon detecting the handshake tone, the **1600A** Series phone will begin uploading the information stored in memory location **#20**.

Once the **1600A** Series phone has sent the information stored in memory location **#20**, it waits for a “kiss-off” tone from the central station. When the “kiss-off” tone is received, the phone turns on the call connected LED and goes into the “two-way talk mode” or hangs up and dials position **#06** if programmed (see Note 3 below).

#### Notes:

1. *The central station should have a “talk-over” feature that will allow a two-way conversation at this time. If your receiver does not support “talk-over”, a voice phone number should be programmed into position **#06**.*
2. *If the central station answers the call, sends the handshake tone, but does not send a “kiss off” tone after the information is sent, the **1600A** resends the information three additional times, waiting for a “kiss-off” after each attempt. If “kiss-off” has not been received after the fourth attempt, the **1600A** hangs up and dials position **#05** again.*
3. *The **1600A** has the capability to send a second informational message to the receiver after the first “kiss-off” is received, but only if a second informational message is stored in memory location **#21**. After the first “kiss-off” is received, the **1600A** sends the information stored in memory location **#21**. It then waits for a second “kiss-off” from the central station receiver. When the second “kiss-off” is received, the phone turns on the call connected LED and goes into the “two-way talk mode” or hangs up and dials position **#06** if programmed.*

# Warranty

## IF YOU HAVE A PROBLEM WITH A VIKING PRODUCT, CONTACT: VIKING TECHNICAL SUPPORT AT 715-386-8666

Our Product Support Department is available for assistance Monday - Friday 8am - 5pm central time. So we can give you better service, before you call please:

1. Know the model number, the serial number and what software version you have (see serial label).
2. Have your Product Manual in front of you.
3. It is best if you are on site.

## RETURNING PRODUCT FOR REPAIR

The following procedure is for equipment that needs repair:

1. Customer must contact Viking's Technical Support Department at 715-386-8666 to obtain a Return Authorization (RA) number. The customer MUST have a complete description of the problem, with all pertinent information regarding the defect, such as options set, conditions, symptoms, methods to duplicate problem, frequency of failure, etc.
2. Packing: Return equipment in original box or in proper packing so that damage will not occur while in transit. Static sensitive equipment such as a circuit board should be in an anti-static bag, sandwiched between foam and individually boxed. All equipment should be wrapped to avoid packing material lodging in or sticking to the equipment. Include ALL parts of the equipment. C.O.D. or freight collect shipments cannot be accepted. Ship cartons prepaid to: **Viking Electronics, 1531 Industrial Street, Hudson, WI 54016**
3. Return shipping address: Be sure to include your return shipping address inside the box. We cannot ship to a PO Box.
4. RA number on carton: In large printing, write the R.A. number on the outside of each carton being returned.

## RETURNING PRODUCT FOR EXCHANGE

The following procedure is for equipment that has failed out-of-box (within 10 days of purchase):

1. Customer must contact Viking's Technical Support at 715-386-8666 to determine possible causes for the problem. The customer MUST be able to step through recommended tests for diagnosis.
2. If the Technical Support Product Specialist determines that the equipment is defective based on the customer's input and troubleshooting, a Return Authorization (R.A.) number will be issued. This number is valid for fourteen (14) calendar days from the date of issue.
3. After obtaining the R.A. number, return the approved equipment to your distributor, referencing the R.A. number. Your distributor will then replace the Viking product using the same R.A. number.
4. **The distributor will NOT exchange this product without first obtaining the R.A. number from you. If you haven't followed the steps listed in 1, 2 and 3, be aware that you will have to pay a restocking charge.**

## TWO YEAR LIMITED WARRANTY

Viking warrants its products to be free from defects in the workmanship or materials, under normal use and service, for a period of two years from the date of purchase from any authorized Viking distributor. If at any time during the warranty period, the product is deemed defective or malfunctions, return the product to Viking Electronics, Inc., 1531 Industrial Street, Hudson, WI., 54016. Customer must contact Viking's Technical Support Department at 715-386-8666 to obtain a Return Authorization (R.A.) number.

This warranty does not cover any damage to the product due to lightning, over voltage, under voltage, accident, misuse, abuse, negligence or any damage caused by use of the product by the purchaser or others. This warranty does not cover non-EWP products that have been exposed to wet or corrosive environments. This warranty does not cover stainless steel surfaces that have not been properly maintained.

**NO OTHER WARRANTIES.** VIKING MAKES NO WARRANTIES RELATING TO ITS PRODUCTS OTHER THAN AS DESCRIBED ABOVE AND DISCLAIMS ANY EXPRESS OR IMPLIED WARRANTIES OR MERCHANTABILITY OR FITNESS FOR ANY PARTICULAR PURPOSE.

**EXCLUSION OF CONSEQUENTIAL DAMAGES.** VIKING SHALL NOT, UNDER ANY CIRCUMSTANCES, BE LIABLE TO PURCHASER, OR ANY OTHER PARTY, FOR CONSEQUENTIAL, INCIDENTAL, SPECIAL OR EXEMPLARY DAMAGES ARISING OUT OF OR RELATED TO THE SALE OR USE OF THE PRODUCT SOLD HEREUNDER.

**EXCLUSIVE REMEDY AND LIMITATION OF LIABILITY.** WHETHER IN AN ACTION BASED ON CONTRACT, TORT (INCLUDING NEGLIGENCE OR STRICT LIABILITY) OR ANY OTHER LEGAL THEORY, ANY LIABILITY OF VIKING SHALL BE LIMITED TO REPAIR OR REPLACEMENT OF THE PRODUCT, OR AT VIKING'S OPTION, REFUND OF THE PURCHASE PRICE AS THE EXCLUSIVE REMEDY AND ANY LIABILITY OF VIKING SHALL BE SO LIMITED.

IT IS EXPRESSLY UNDERSTOOD AND AGREED THAT EACH AND EVERY PROVISION OF THIS AGREEMENT WHICH PROVIDES FOR DISCLAIMER OF WARRANTIES, EXCLUSION OF CONSEQUENTIAL DAMAGES, AND EXCLUSIVE REMEDY AND LIMITATION OF LIABILITY, ARE SEVERABLE FROM ANY OTHER PROVISION AND EACH PROVISION IS A SEPARABLE AND INDEPENDENT ELEMENT OF RISK ALLOCATION AND IS INTENDED TO BE ENFORCED AS SUCH.

## FCC REQUIREMENTS

This equipment complies with Part 68 of the FCC rules and the requirements adopted by the ACTA. Inside the front panel of this equipment is a label that contains, among other information, a product identifier in the format US:AAAEQ##TXXXX. If requested, this number must be provided to the telephone company.

The REN is used to determine the number of devices that may be connected to a telephone line. Excessive REN's on a telephone line may result in the devices not ringing in response to an incoming call. In most but not all areas, the sum of the REN's should not exceed five (5.0). To be certain of the number of devices that may be connected to a line, as determined by the total REN's, contact the local telephone company. For products approved after July 23, 2001, the REN for this product is part of the product identifier that has the format US:AAAEQ##TXXXX. The digits represented by ## are the REN without a decimal point (e.g., 03 is a REN of 0.3). For earlier products, the REN is separately shown on the label.

The plug used to connect this equipment to the premises wiring and telephone network must comply with the applicable FCC Part 68 rules and requirements adopted by the ACTA. If your home has specially wired alarm equipment connected to the telephone line, ensure the installation of this E-1600A-AST-EWP / E-1600A-AST2EWP / E-1600A-BLT-EWP / E-1600A-BLT2EWP does not disable your alarm equipment. If you have questions about what will disable alarm equipment, consult your telephone company or a qualified installer.

If the E-1600A-AST-EWP / E-1600A-AST2EWP / E-1600A-BLT-EWP / E-1600A-BLT2EWP causes harm to the telephone network, the telephone company will notify you in advance that temporary discontinuance of service may be required. But if advance notice isn't practical, the telephone company will notify the customer as soon as possible. Also, you will be advised of your right to file a complaint with the FCC if you believe it is necessary.

The telephone company may make changes in its facilities, equipment, operations, or procedures that could affect the operation of the equipment. If this happens, the telephone company will provide advance notice in order for you to make the necessary modifications to maintain uninterrupted service.

If trouble is experienced with the E-1600A-AST-EWP / E-1600A-AST2EWP / E-1600A-BLT-EWP / E-1600A-BLT2EWP, for repair or warranty information, please contact:

**Viking Electronics, Inc., 1531 Industrial Street, Hudson, WI 54016 (715) 386-8666**

If the equipment is causing harm to the telephone network, the telephone company may request that you disconnect the equipment until the problem is resolved.

Connection to Party Line Service is subject to State Tariffs. Contact the state public utility commission, public service commission or corporation commission for information.

**WHEN PROGRAMMING EMERGENCY NUMBERS AND (OR) MAKING TEST CALLS TO EMERGENCY NUMBERS:**

Remain on the line and briefly explain to the dispatcher the reason for the call. Perform such activities in the off-peak hours, such as early morning or late evenings.

It is recommended that the customer install an AC surge arrester in the AC outlet to which this device is connected. This is to avoid damaging the equipment caused by local lightning strikes and other electrical surges.

## PART 15 LIMITATIONS

This equipment has been tested and found to comply with the limits for a Class A digital device, pursuant to Part 15 of the FCC Rules. These limits are designed to provide reasonable protection against harmful interference when the equipment is operated in a commercial environment. This equipment generates, uses, and can radiate radio frequency energy and, if not installed and used in accordance with the instruction manual, may cause harmful interference to radio communications. Operation of this equipment in a residential area is likely to cause harmful interference in which case the user will be required to correct the interference at his own expense.

## Product Support: 715-386-8666

Due to the dynamic nature of the product design, the information contained in this document is subject to change without notice. Viking Electronics, and its affiliates and/or subsidiaries assume no responsibility for errors and omissions contained in this information. Revisions of this document or new editions of it may be issued to incorporate such changes.