

Provide Talk Battery and Ring Voltage to Equipment that Requires it!

The **PS-48-RGA** power supply provides talk battery plus standard ring voltage where and when needed. Housed in a convenient wall mount enclosure, the **PS-48-RGA** comes complete with a plug-in power supply.

The **PS-48-RGA** will provide telephone communication equipment with 48V DC talk battery.

In addition, the **PS-48-RGA** will produce 90V 20 Hz sine wave ring voltage rated up to 10 REN. This allows a phone system to sequence up to 30 ringing phones.



Features

- Provides 48V talk battery
- Provides 90V ring voltage

Applications

- Electronic Key Systems
- Paging systems
- OPXs

Specifications

Power: 120V AC/13.8V AC 1.25A, UL listed adapter provided

Dimensions: 135mm x 90mm x 45mm (5.25" x 3.5" x 1.73")

Shipping Weight: 0.9 kg (2 lbs)

Environmental: 0° C to 32° C (32° F to 90° F) with 5% to 95% non-condensing humidity

DC Power: 48V DC (nominal, 150mA maximum current)

Ring Power: 90V AC @ 20 Hz, capable of ringing 5 REN with DC power fully loaded, capable of ringing 10 REN with DC power not used

Connections: 4 position screw terminal

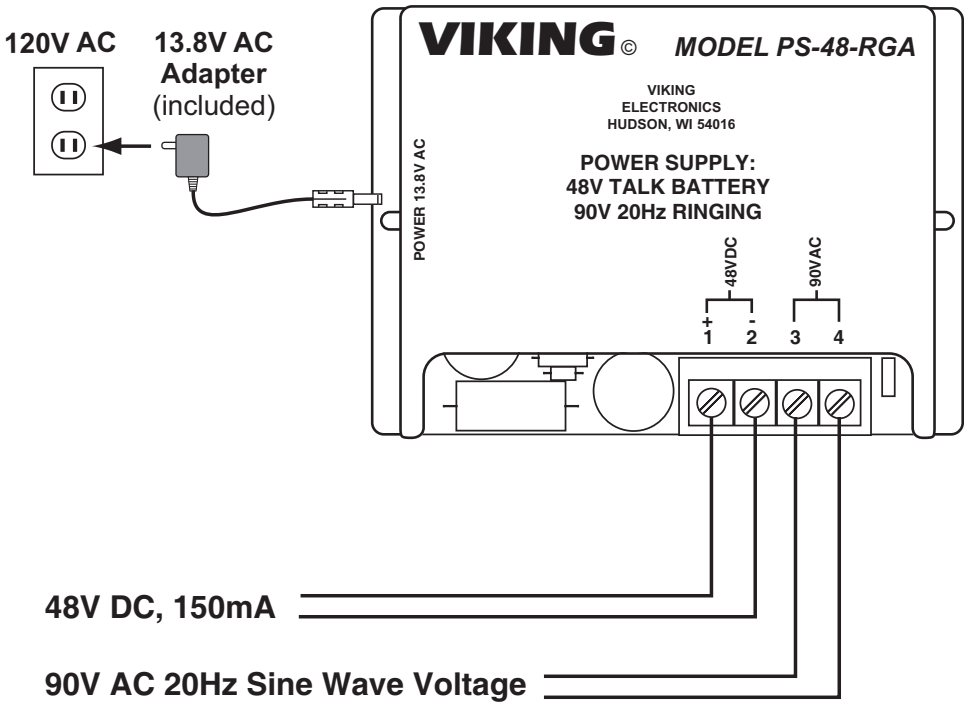
www.vikingelectronics.com

Information: (715) 386-8861

Installation



IMPORTANT: Electronic devices are susceptible to lightning and power station electrical surges from both the AC outlet and the telephone line. It is recommended that a surge protector be installed to protect against such surges.



Boost Ringing Power to up to Twelve Additional Phones



For more info, see DOD# 420

The **RG-10A** ring generator is designed to increase the ringing power of an existing telephone line, PABX extension, FXS port, IP phone system analog port or any other telecom device which provides ringing.

The **RG-10A** duplicates the incoming ring frequency and cadence allowing it to be compatible with custom ringing features.

The **RG-10A** is capable of ringing twelve standard (1 REN) telephones and does not affect normal operation of the telephone line or features provided by the phone company, such as caller ID and call waiting. Multiple **RG-10A**'s may be used for even higher drive output.

Boost the Ringing Power of 4 Analog PABX Stations, FXS Ports, or IP Phone System Analog Ports



For more information, see DOD# 417

The **RG-204** ring generator is designed to reshape and increase the ringing power of up to 4 analog PABX extensions, FXS ports, IP phone system analog ports, or any other telecom devices which provides ringing.

The **RG-204** duplicates the incoming ring cadence allowing it to be compatible with custom ringing features. Each line is capable of ringing four 1 REN or eight 0.5 REN telephones and does not affect normal operation of the telephone line or features, such as caller ID, call waiting, hookswitch flash features, CPC signaling, etc. For larger multi-line applications, use Viking models **RG-212** (12 line) or **RG-224** (24 line).

For single line applications, use the Viking model **RG-4**. The Viking model **RG-10A** may be used for single line higher drive output applications up to 12 REN.

Boost the Ringing Power of 12 Analog PABX Stations, FXS Ports, or IP Phone System Analog Ports



For more information, see DOD# 419

The **RG-212** ring generator is designed to reshape and increase the ringing power of up to 12 analog PABX extensions, FXS ports, IP phone system analog ports, or any

other telecom devices which provides ringing. The **RG-212** duplicates the incoming ring cadence allowing it to be compatible with custom ringing features. Each line is capable of ringing four 1 REN or eight 0.5 REN telephones and does not affect normal operation of the telephone line or features, such as caller ID, call waiting, hookswitch flash features, CPC signaling, etc.

Warranty

IF YOU HAVE A PROBLEM WITH A VIKING PRODUCT, CONTACT: VIKING TECHNICAL SUPPORT AT (715) 386-8666

Our Technical Support Department is available for assistance Monday 8am - 4pm and Tuesday through Friday 8am - 5pm central time. So that we can give you better service, before you call please:

1. Know the model number, the serial number and what software version you have (see serial label).
2. Have your Technical Practice in front of you.
3. It is best if you are on site.

RETURNING PRODUCT FOR REPAIR

The following procedure is for equipment that needs repair:

1. Customer must contact Viking's Technical Support Department at 715-386-8666 to obtain a Return Authorization (RA) number. The customer MUST have a complete description of the problem, with all pertinent information regarding the defect, such as options set, conditions, symptoms, methods to duplicate problem, frequency of failure, etc.
2. Packing: Return equipment in original box or in proper packing so that damage will not occur while in transit. Static sensitive equipment such as a circuit board should be in an anti-static bag, sandwiched between foam and individually boxed. All equipment should be wrapped to avoid packing material lodging in or sticking to the equipment. Include ALL parts of the equipment. C.O.D. or freight collect shipments cannot be accepted. Ship cartons prepaid to: **Viking Electronics, 1531 Industrial Street, Hudson, WI 54016**
3. Return shipping address: Be sure to include your return shipping address inside the box. We cannot ship to a PO Box.
4. RA number on carton: In large printing, write the R.A. number on the outside of each carton being returned.

RETURNING PRODUCT FOR EXCHANGE

The following procedure is for equipment that has failed out-of-box (within 10 days of purchase):

1. Customer must contact Viking's Technical Support at 715-386-8666 to determine possible causes for the problem. The customer MUST be able to step through recommended tests for diagnosis.
2. If the Technical Support Product Specialist determines that the equipment is defective based on the customer's input and troubleshooting, a Return Authorization (R.A.) number will be issued.

This number is valid for fourteen (14) calendar days from the date of issue.

3. After obtaining the R.A. number, return the approved equipment to your distributor, referencing the R.A. number. Your distributor will then replace the Viking product using the same R.A. number.
4. **The distributor will NOT exchange this product without first obtaining the R.A. number from you. If you haven't followed the steps listed in 1, 2 and 3, be aware that you will have to pay a restocking charge.**

TWO YEAR LIMITED WARRANTY

Viking warrants its products to be free from defects in the workmanship or materials, under normal use and service, for a period of two years from the date of purchase from any authorized Viking distributor. If at any time during the warranty period, the product is deemed defective or malfunctions, return the product to Viking Electronics, Inc., 1531 Industrial Street, Hudson, WI., 54016. Customer must contact Viking's Technical Support Department at 715-386-8666 to obtain a Return Authorization (R.A.) number.

This warranty does not cover any damage to the product due to lightning, over voltage, under voltage, accident, misuse, abuse, negligence or any damage caused by use of the product by the purchaser or others. This warranty does not cover non-EWP products that have been exposed to wet or corrosive environments. This warranty does not cover stainless steel surfaces that have not been properly maintained.

NO OTHER WARRANTIES. VIKING MAKES NO WARRANTIES RELATING TO ITS PRODUCTS OTHER THAN AS DESCRIBED ABOVE AND DISCLAIMS ANY EXPRESS OR IMPLIED WARRANTIES OR MERCHANTABILITY OR FITNESS FOR ANY PARTICULAR PURPOSE.

EXCLUSION OF CONSEQUENTIAL DAMAGES. VIKING SHALL NOT, UNDER ANY CIRCUMSTANCES, BE LIABLE TO PURCHASER, OR ANY OTHER PARTY, FOR CONSEQUENTIAL, INCIDENTAL, SPECIAL OR EXEMPLARY DAMAGES ARISING OUT OF OR RELATED TO THE SALE OR USE OF THE PRODUCT SOLD HEREUNDER.

EXCLUSIVE REMEDY AND LIMITATION OF LIABILITY. WHETHER IN AN ACTION BASED ON CONTRACT, TORT (INCLUDING NEGLIGENCE OR STRICT LIABILITY) OR ANY OTHER LEGAL THEORY, ANY LIABILITY OF VIKING SHALL BE LIMITED TO REPAIR OR REPLACEMENT OF THE PRODUCT, OR AT VIKING'S OPTION, REFUND OF THE PURCHASE PRICE AS THE EXCLUSIVE REMEDY AND ANY LIABILITY OF VIKING SHALL BE SO LIMITED.

IT IS EXPRESSLY UNDERSTOOD AND AGREED THAT EACH AND EVERY PROVISION OF THIS AGREEMENT WHICH PROVIDES FOR DISCLAIMER OF WARRANTIES, EXCLUSION OF CONSEQUENTIAL DAMAGES, AND EXCLUSIVE REMEDY AND LIMITATION OF LIABILITY, ARE SEVERABLE FROM ANY OTHER PROVISION AND EACH PROVISION IS A SEPARABLE AND INDEPENDENT ELEMENT OF RISK ALLOCATION AND IS INTENDED TO BE ENFORCED AS SUCH.

Product Support: (715) 386-8666

Due to the dynamic nature of the product design, the information contained in this document is subject to change without notice. Viking Electronics, and its affiliates and/or subsidiaries assume no responsibility for errors and omissions contained in this information. Revisions of this document or new editions of it may be issued to incorporate such changes.