

EMERGING

TECHNICAL Practice

TELECOM SOLUTIONS FOR THE 21ST CENTURY

SC-911

Strobe Controller

January 5, 2017

Activate a Strobe Light with a Call to 911

Save valuable seconds on EMS response times!

The **SC-911** Strobe Controller connects in parallel with your phone line and passively listens for touch-tones. When **911**, **9-911**, **8-911**, or the custom activation number is detected, the **SC-911** flashes the built-in 0.75" LED and activates a 12VDC switched output capable of running an emergency strobe light.

A strobe light can get help to you when you need it most, providing the emergency services with a clearly visible beacon to locate your home as fast as possible, and also alerting neighbors or nursing staff of your need for assistance.

The built-in LED is useful for indoor applications, such as apartment complexes, schools, offices and assisted living housing.

The **SC-911** comes complete with a 12VDC power adapter, and also provides a set of relay contacts for user application.



Phone...715.386.8861

Features

- Detects "911", "9911", "8911", "555" (test) calls and/or a custom activation number
- Bright 0.75" red LED visible over 100 ft
- Switched 12VDC output for powering strobe lights, cameras, etc.
- One set of (N.O.) normally open or (N.C.) normally closed relay contacts provided
- Wall mountable with foam tape (included) or screws (not included)
- Reset by dialing any touch-tone or programmable output timer
- Contact closure activation and reset function

Applications

- Turn on a strobe light with a 911 call
- Trigger a doorstrike to enable quick and easy EMS access to your home
- Notify security in a gated community to allow EMS access
- Alert local nursing staff to an emergency call

Specifications

Power: 120VAC to 12VDC UL listed adapter provided
Dimensions: 2.9" x 2.1" x 1.4" (74mm x 53mm x 36mm)
Shipping Weight: 0.86 lbs (0.4 kg)
Environmental: 32°F to 90°F (0°C to 32°C) with 5% to 95% non-condensing humidity
LED: 0.75" (20mm) diameter, red
Visibility: 100 ft (30m) typical
Relay Contact Rating: .5A @ 125VAC / 1A @ 30VDC
Maximum Current Draw Switched 12VDC Output: 350mA
Connections: 9 position screw terminal block

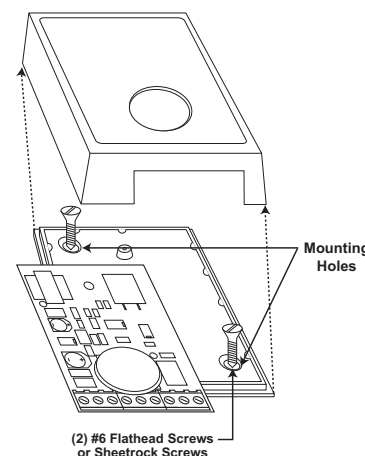
Mounting

A. Using Screws (not included)

Step 1.	Unsnap the plastic cover and remove the top screw holding the circuit board.
Step 2.	Remove the circuit board, exposing the two mounting holes in the base.
Step 3.	Screw the base to the wall, etc. using (2) #6 flathead or sheetrock screws. Note: Make sure the screw heads are fully driven into the base to avoid shorting the circuit board leads.

B. Using the Included Tape

Step 1.	Clean the back of the SC-911 and the surface you are mounting to with rubbing alcohol before mounting.
Step 2.	Remove the backing on one side of the tape and adhere to the SC-911 . Remove the rest of the backing and press unit firmly to surface you are mounting to.



Installation

A. Phone Line Connection

Connect the phone line to be monitored in parallel to terminals 1 and 2.

B. Activation and Reset Contact Closure Input

Short terminal positions 4 and 5 to toggle the unit between the active and reset states.

***3 Mode:** Any length contact closure will toggle state.

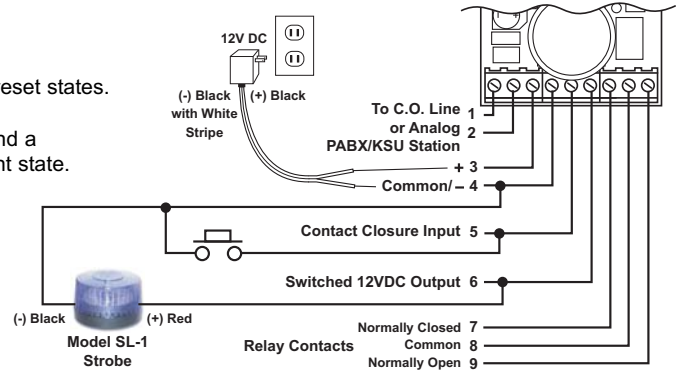
***4 Mode:** A contact closure shorter than 1 second will activate the unit, and a contact closure longer than 1 second will reset the unit regardless of current state.

C. Switched 12VDC Output

The switched 12VDC, 350mA output at terminal positions 4 (shared with the 12VDC input) and 6 is turned on when the unit is activated.

D. Relay Contacts

Normally open and normally closed relay contacts are available at terminal block positions 7, 8 and 9. If the contacts are driving an inductive load, place a suppression device at the load to snub high voltage spikes.



Programming

A. Accessing the Programming Mode

1. Call into the monitored line to avoid C.O. busy signals, etc.
2. Enter ***845464** (*-V-I-K-I-N-G) on the monitored phone. **Note:** Enter digits less than 4 seconds apart or you will not enter programming.
3. A double beep will indicate that you have accessed programming mode. All valid touch tone commands in programming will be indicated by a double beep and all invalid commands by a triple beep. If 20 seconds elapses without touch tones being entered, the **SC-911** will triple beep and exit programming mode. Dial **##7** to exit programming and enable monitoring.

B. Programming Features

	Enter Digits	+	Memory Location
Custom activation number (1-25 digits*)	Number	+	#00
To add a * at any point in the custom number**	*		*
To add a # at any point in the custom number**	#		#
Output timer (01-99 minutes, 00 = 30 seconds, factory set to blank = disabled***)	2 digits	+	#20
Enable activation with 911, 9911, and 8911 (default)	*		1
Disable activation with 911, 9911, and 8911	*		2
Contact Closure reset time normal (factory default)	*		3
Contact Closure reset time long (1+ seconds)	*		4
Exit programming mode	##		7
Clear programming and reset to factory defaults	###		##

* **Note:** A touch tone "*" or a touch tone "#" count as a single digit.

** **Note:** The custom number cannot start with "*" or "#". *** **Note:** Unit will remain activated until a contact closure or touch tone is detected.

IF YOU HAVE A PROBLEM WITH A VIKING PRODUCT, PLEASE CONTACT: VIKING TECHNICAL SUPPORT AT (715) 386-8666

Our Technical Support Department is available for assistance Monday through Friday 8am - 5pm central time. So that we can give you better service, before you call please:

1. Know the model number, the serial number and what software version you have (see serial label).
2. Have your Technical Practice in front of you.
3. It is best if you are on site.

RETURNING PRODUCT FOR REPAIR

The following procedure is for equipment that needs repair:

1. Customer must contact Viking's Technical Support Department at 715-386-8666 to obtain a Return Authorization (RA) number. The customer MUST have a complete description of the problem, with all pertinent information regarding the defect, such as options set, conditions, symptoms, methods to duplicate problem, frequency of failure, etc.
2. Packing: Return equipment in original box or in proper packing so that damage will not occur while in transit. Static sensitive equipment such as a circuit board should be in an anti-static bag, sandwiched between foam and individually boxed. All equipment should be wrapped to avoid packing material lodging in or sticking to the equipment. Include ALL parts of the equipment. C.O.D. or freight collect shipments cannot be accepted. Ship cartons prepaid to: **Viking Electronics, 1531 Industrial Street, Hudson, WI 54016**
3. Return shipping address: Be sure to include your return shipping address inside the box. We cannot ship to a PO Box.
4. RA number on carton: In large printing, write the R.A. number on the outside of each carton being returned.

RETURNING PRODUCT FOR EXCHANGE

The following procedure is for equipment that has failed out-of-box (within 10 days of purchase):

1. Customer must contact Viking's Technical Support at 715-386-8666 to determine possible causes for the problem. The customer MUST be able to step through recommended tests for diagnosis.
2. If the Technical Support Product Specialist determines that the equipment is defective based on the customer's input and troubleshooting, a Return Authorization (R.A.) number will be issued. This number is valid for fourteen (14) calendar days from the date of issue.
3. After obtaining the R.A. number, return the approved equipment to your distributor, referencing the R.A. number. Your distributor will then replace the product over the counter at no charge. The distributor will then return the product to Viking using the same R.A. number.
4. **The distributor will NOT exchange this product without first obtaining the R.A. number from you. If you haven't followed the steps listed in 1, 2 and 3, be aware that you will have to pay a restocking charge.**

TWO YEAR LIMITED WARRANTY

Viking warrants its products to be free from defects in the workmanship or materials, under normal use and service, for a period of two years from the date of purchase from any authorized Viking distributor. If at any time during the warranty period, the product is deemed defective or malfunctions, return the product to Viking Electronics, Inc., 1531 Industrial Street, Hudson, WI, 54016. Customer must contact Viking's Technical Support Department at 715-386-8666 to obtain a Return Authorization (R.A.) number.

This warranty does not cover any damage to the product due to lightning, over voltage, under voltage, accident, misuse, abuse, negligence or any damage caused by use of the product by the purchaser or others.

NO OTHER WARRANTIES. VIKING MAKES NO WARRANTIES RELATING TO ITS PRODUCTS OTHER THAN AS DESCRIBED ABOVE AND DISCLAIMS ANY EXPRESS OR IMPLIED WARRANTIES OR MERCHANTABILITY OR FITNESS FOR ANY PARTICULAR PURPOSE.

EXCLUSION OF CONSEQUENTIAL DAMAGES. VIKING SHALL NOT, UNDER ANY CIRCUMSTANCES, BE LIABLE TO PURCHASER, OR ANY OTHER PARTY, FOR CONSEQUENTIAL, INCIDENTAL, SPECIAL OR EXEMPLARY DAMAGES ARISING OUT OF OR RELATED TO THE SALE OR USE OF THE PRODUCT SOLD HEREUNDER.

EXCLUSIVE REMEDY AND LIMITATION OF LIABILITY. WHETHER IN AN ACTION BASED ON CONTRACT, TORT (INCLUDING NEGLIGENCE OR STRICT LIABILITY) OR ANY OTHER LEGAL THEORY, ANY LIABILITY OF VIKING SHALL BE LIMITED TO REPAIR OR REPLACEMENT OF THE PRODUCT, OR AT VIKING'S OPTION, REFUND OF THE PURCHASE PRICE AS THE EXCLUSIVE REMEDY AND ANY LIABILITY OF VIKING SHALL BE SO LIMITED.

IT IS EXPRESSLY UNDERSTOOD AND AGREED THAT EACH AND EVERY PROVISION OF THIS AGREEMENT WHICH PROVIDES FOR DISCLAIMER OF WARRANTIES, EXCLUSION OF CONSEQUENTIAL DAMAGES, AND EXCLUSIVE REMEDY AND LIMITATION OF LIABILITY, ARE SEVERABLE FROM ANY OTHER PROVISION AND EACH PROVISION IS A SEPARABLE AND INDEPENDENT ELEMENT OF RISK ALLOCATION AND IS INTENDED TO BE ENFORCED AS SUCH.

Due to the dynamic nature of the product design, the information contained in this document is subject to change without notice. Viking Electronics, and its affiliates and/or subsidiaries assume no responsibility for errors and omissions contained in this information. Revisions of this document or new editions of it may be issued to incorporate such changes.