

# VIKING PRODUCT MANUAL

COMMUNICATION &amp; SECURITY SOLUTIONS

## Add Paging to Your Existing Phone Line Without an Expensive Phone System

The **SLP-1** Single Line Paging controller will allow you to page family members or co-workers from any phone in your home or small office. The pages can be heard over the same speakers that are installed for multi-zone music distribution.

The **SLP-1** connects in series with a single existing phone line. The unit has a built-in 2 watt amplifier, pre-amp output, music on hold input, intercom features and selectable loud ringing. The **SLP-1** provides an input for a lighted doorbell switch, allowing a door chime to be heard over existing speakers. Page from several different phone lines by connecting multiple units.



### Features

- Whole house/small business paging from existing phones
- Built-in 2 watt mono paging amplifier with gain control
- Phone to phone intercom
- Page from several different phone lines by connecting multiple units
- Music on hold
- Caller on hold
- Can provide background music from external source
- Background music mute (automatic during paging or touch tone selectable while you are on a call)
- Selectable loud ring (electronic warble over speakers)
- Doorbell switch input (lighted or non-lighted) for activating door chime (ding-dong sound over speakers)
- Unique door chimes when used with a **C-200**, **C-500**, **C-1000B** or **C-2000B** doorbox/entry phone controllers
- Switch selectable On-Hold alarm tones
- Stereo pre-amp input and line level output for use with receivers and high wattage amplifiers
- Simple control commands: no touch tone programming
- Page trigger output (12V signal for enabling paging source input on multi-source amps)
- Pre-amp volume control
- Bypass code: ignores all touch tones on next off-hook allowing you to steer through auto attendants, etc.
- Comes complete with power supply

### Applications

- Whole house paging from an existing phone line
- Add paging, intercom, and music on hold features for small businesses
- Loud ringing / night bell
- Provide unique door chimes when used with a **C-200**, **C-500**, **C-1000B** or **C-2000B**

### Specifications

**Power:** 120V AC/13.8V AC 1.25A, UL listed adapter provided  
**Dimensions:** 5.25" x 3.5" x 1.75" (133mm x 89mm x 44mm)  
**Shipping Weight:** 3 lbs (1.36 kg)  
**Environmental:** 32°F to 90°F (0°C to 32°C) with 5% to 95% noncondensing humidity  
**Paging Amplifier Output:** 2 watts - powers up to (3) 8 Ohm or (16) 45 Ohm speakers  
**Sound Pressure:** 100 dB @ 1 meter (loud electronic warble from **25AE** paging horn)  
**REN:** 0.5A  
**Maximum Speaker Output Wire Run:** 91m (300 ft) maximum, 18 AWG  
**Maximum Doorbell Switch Wire Run:** 305m (1000 ft) maximum, 24 AWG  
**Max Load on Page Trigger Output:** 1K Ohm  
**Talk Battery:** 36V DC  
**Connections:** (1) 6-position and (1) 8-position screw terminal blocks, (1) 3.5mm (1/8") jack, (4) RCA jacks, 1.85m (6 ft) audio cord with 3.5mm (1/8") double ended mono plugs included

# Features Overview



**IMPORTANT:** Electronic devices are susceptible to lightning and power station electrical surges from both the AC outlet and the telephone line. It is recommended that a surge protector be installed to protect against such surges.

**Pre-Amplifier Volume Control** - For paging, loud ringing, door chime and on-hold alarm tones.

**Internal 2 Watt (Mono) Amplifier Gain Control** - To adjust speaker output volume.

**J10 Page Trigger Contact Closure:** Remove both jumpers and reconnect one jumper across pins 2 & 3 to change "Page Trigger Output" to a N.O. relay contact.

**J9 Optional Page Trigger (Dry)** Secondary relay output contacts for controlling existing door chimes, etc. (solder pads only, available on top or bottom side of PCB).

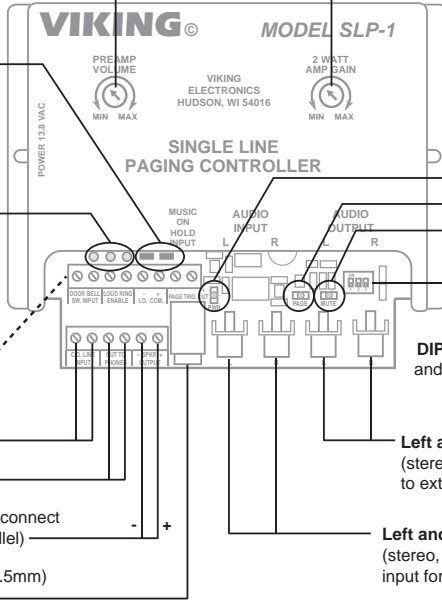
See Diagram A below for these specifications

**C.O. / Phone Line Input**

**Line Out to Phones**

**Speaker Output** (2 watt maximum, connect up to three 8-Ohm speakers in parallel)

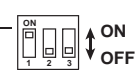
**Music on Hold Input** mono 1/8" (3.5mm) Line level input from radio, etc.



**Power Indicator LED**

**Page Active LED**

**Mute Status LED**

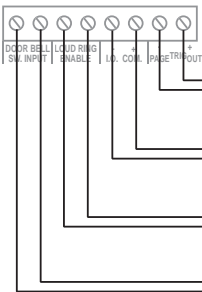


**DIP Switches** - For on-hold alarm and mode selections. (see page 7)

**Left and Right Audio Loop Output** (stereo, RCA-type) Line level output to external amplifier.

**Left and Right Audio Loop Input** (stereo, RCA-type) Line level pre-amp input for background music, etc.

**Diagram A**



**Page Trigger Output** - Connect to multi-zone amplifiers requiring a switched 12VDC signal (or dry relay contact closure) for enabling the paging source input.

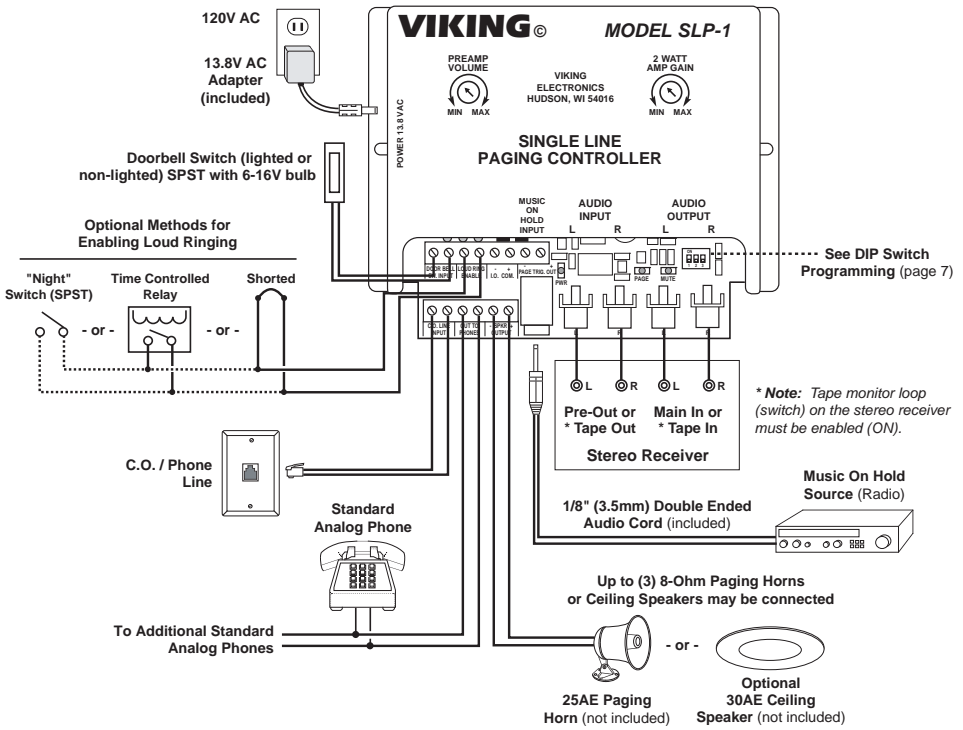
**I.O. Communications** - Connect to multiple units for multi-line applications with one amplifier (polarity sensitive).

**Loud Ring Enable Input** (shorted: enabled, open: disabled) Provides warble over speakers during phone line ringing.

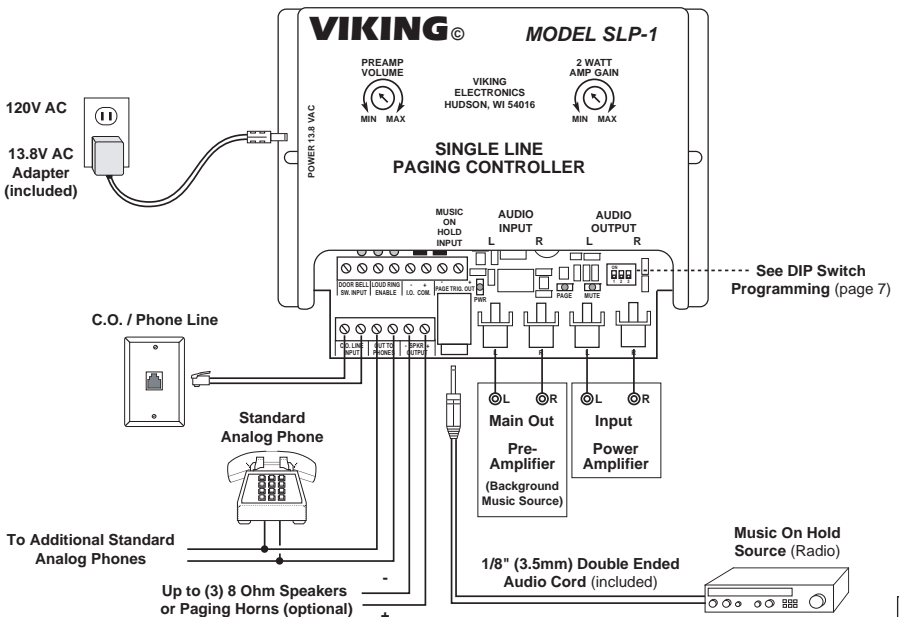
**Doorbell Switch Input** (lighted or non-lighted) - Provides door chime over speakers (not polarity sensitive). This input can also be connected to a Viking model **C-200**, **C-500**, **C-1000B** or **C-2000B** for unique door chimes.

# Installation and Applications

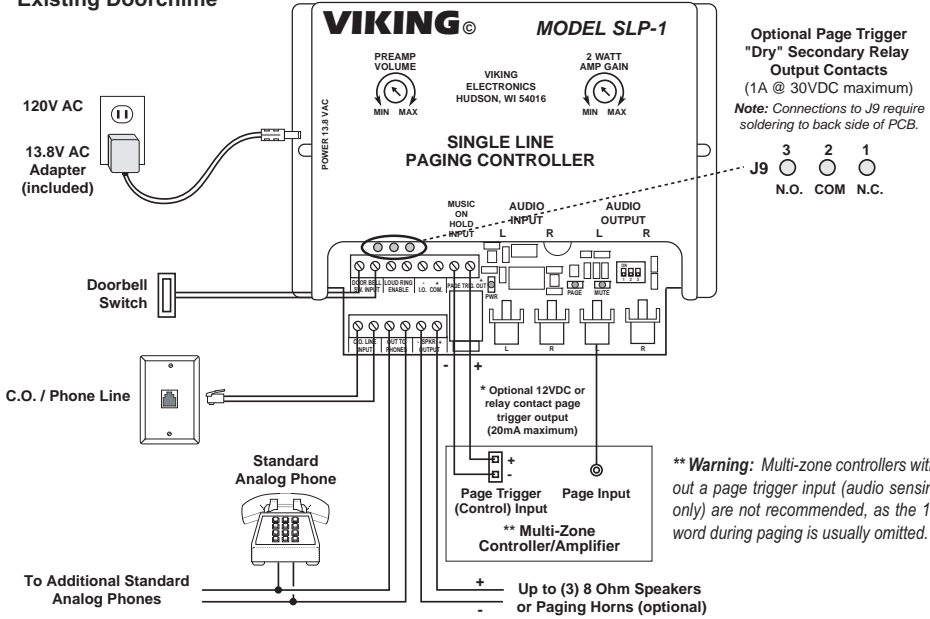
## A. Installation Using the Internal 2-Watt Amplifier, Stereo Receiver, Doorbell Input, Music On Hold and Providing Optional Loud Ringing



## B. Connecting to a Separate Pre-Amp and Power Amp



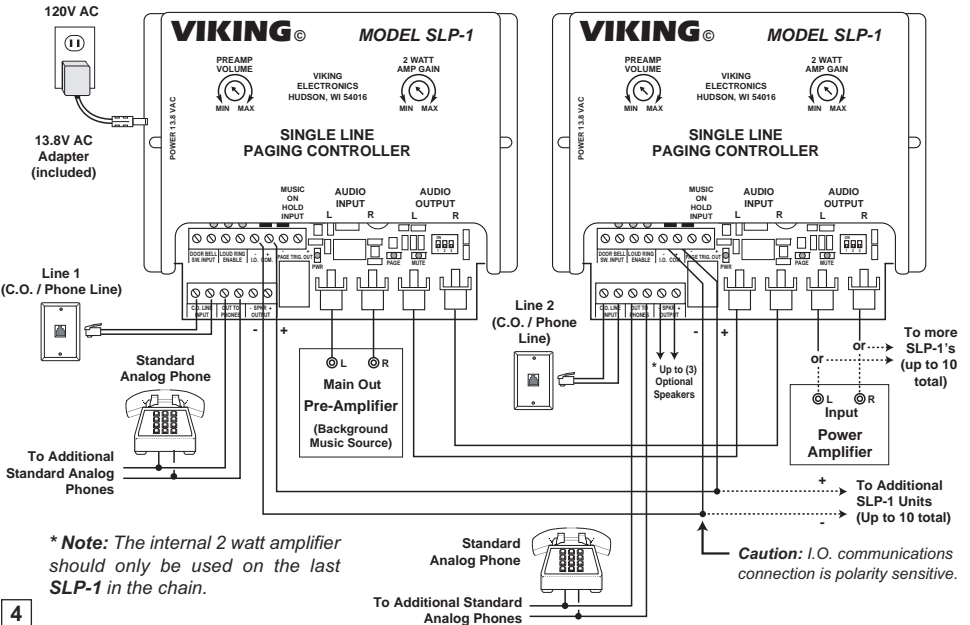
### C. Connecting to the "Page" Input on Multi-Zone Controllers / Amplifiers and Controlling an Existing Doorchime



\* **Note:** Most multi-zone controllers/amplifiers require a 12VDC trigger signal or relay contact closure to automatically switch the source to the "page" input. The SLP-1 will provide a switched 12VDC (20mA maximum) signal or relay contact closure which is maintained while the unit is paging or for the duration of the chime/ding-dong sound (approximately 2 seconds). The SLP-1 can also provide a secondary "dry" contact page trigger output. N.O. and N.C. relay contacts are available on solder pads J9 1-3 (see diagram above). Users often turn off all zones when they retire for the evening. In this event, we recommend dedicating up to three 8-Ohm speakers on the SLP-1's 2 watt speaker output. They should be placed in central locations (hallways, etc.) on each level so the door chime can be heard when all zones are disabled. **Caution:** This connection is polarity sensitive.

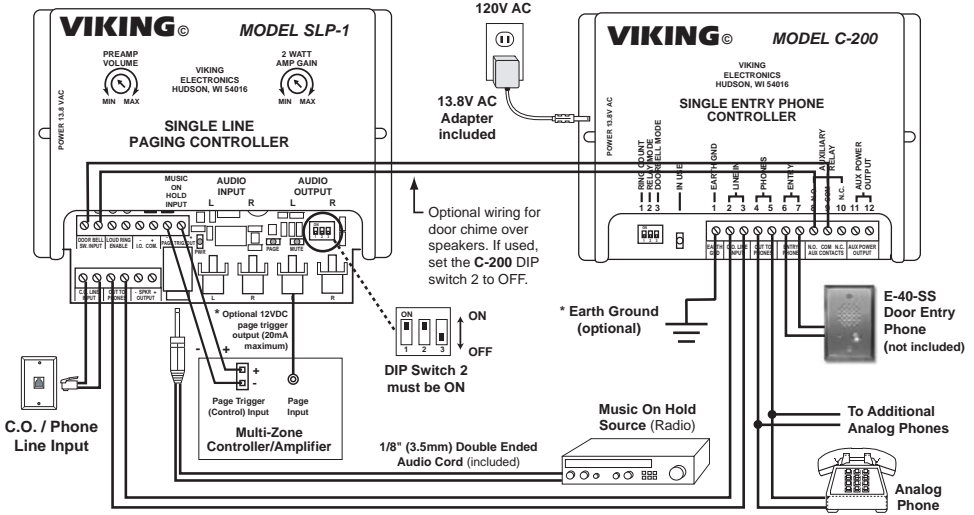
### D. Multi-Line Paging with a Single Amplifier

**Note:** The background music mute command (#5), should not be used when connecting multiple SLP-1's to a single amplifier, see **Operation** section K, page 8.



\* **Note:** The internal 2 watt amplifier should only be used on the last SLP-1 in the chain.

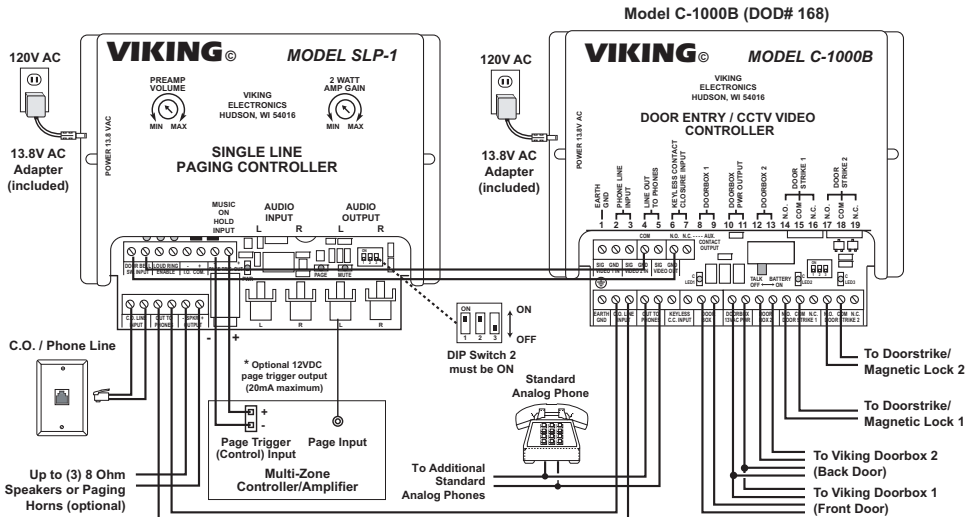
## E. Provide Paging, Music-On-Hold and Single Entry Phone Control



\* **Note:** Most multi-zone controllers/amplifiers require a 12VDC trigger signal or relay contact closure to automatically switch the source to the "page" input. The SLP-1 will provide a switched 12VDC (20mA maximum) signal or relay contact closure which is maintained while the unit is paging or for the duration of the chime/ding-dong sound (approximately 2 seconds). The SLP-1 can also provide a secondary "dry" contact page trigger output. N.O. and N.C. relay contacts are available on solder pads J9 1-3 (see diagram above). Users often turn off all zones when they retire for the evening. In this event, we recommend dedicating up to three 8-Ohm speakers on the SLP-1's 2 watt speaker output. They should be placed in central locations (hallways, etc.) on each level so the door chime can be heard when all zones are disabled. **Caution:** This connection is polarity sensitive.

## F. Provide Paging, Doorbox, and Doorstrike Control with Unique Front and Back Door Chimes

**Note:** To provide unique front door bell chime (ding-dong) and back door chime (ding-ding), the C-1000B must be programmed to enable the "Auxiliary Contact Mode" (\*7) and have the auxiliary contact programmed for custom ring cadence (12#03). Doorbox ringing can also be disabled by placing the C-1000B in the "Doorbell Mode" (\*1). See the C-1000B Technical Practice for programming details. The C-1000B CCTV Video Control Mode can **NOT** be used in conjunction with unique front and back door chimes. See Operation section I, page 7. The caller's music on hold is limited to 5 seconds while communicating with a doorbox.



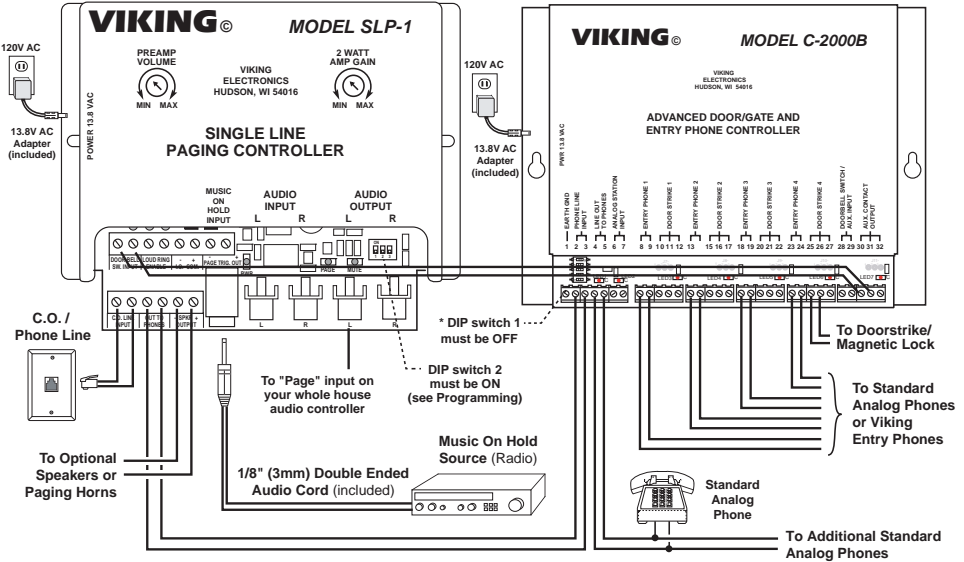
\* **Note:** Page trigger output can be changed to a contact closure, see "Note" in section E above.

For more information on Doorboxes, see DOD 170.

## G. Provide Paging with Four Unique Door Chimes and Control of Up to Four Entry Phones and Doorstrikes from a Single Phone Line

**Note:** To provide unique door chimes, the **C-2000B** must have the "Auxiliary Contact Mode" enabled (DIP switch 1 OFF) and have the auxiliary contact programmed for "Entry Phone Triggered Ring Cadence Activation" (#60). Entry phone ringing can also be disabled (0#62). See the **C-2000B** Technical Practice for programming details. The caller's music on hold is limited to 5 seconds while communicating with an entry phone.

**Door Chimes:**  
 Entry 1 = "ding-dong"  
 Entry 2 = "ding-ding"  
 Entry 3 = "ding-ding-ding"  
 Entry 4 = "ding-ding-ding-ding"

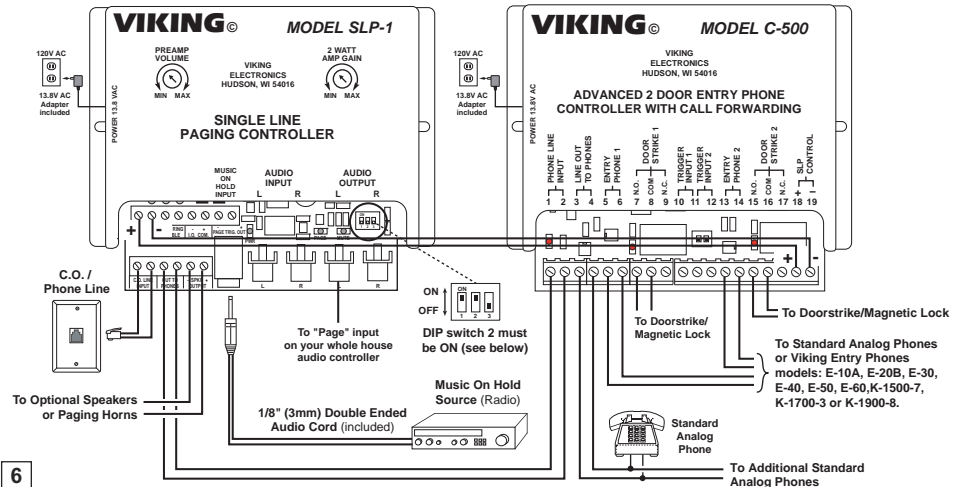


\* See the **C-2000B** Product Manual for complete programming instructions (DOD# 156).

**Important:** With a **C-2000B** as the controller, the P/N number of the **SLP-1** must be 259967F or higher in order for this application to work. If the controller is a **C-2000A**, the P/N number of the **SLP-1** must be no higher than 259967E.

## H. Provide Whole House Paging, Control Up to 2 Entry Phones and Doorstrikes and Provide Entry Phone Triggered Unique Front and Back Door Chimes from a Single Line Phone

The **SLP-1** can be used with one or two Viking **C-500** entry phone controllers. The phone line first runs through the **SLP-1**, then runs through one or two **C-500**'s before continuing on to the house phones. Connect both **C-500**'s "SLP Control" output terminals 18 & 19 to the **SLP-1**'s "Doorbell Sw Input" input (**CAUTION: This connection is polarity sensitive**). When entry phones call in, the **SLP-1** will play a "ding-dong" door chime for an entry phone 1 call and a "ding ding" door chime for an entry phone 2 call, a "ding-ding-ding" chime for an entry phone 3, and a "ding-ding-ding-ding" chime for an entry phone 4 call. To provide the 4 different door chimes, the **SLP-1**'s "Doorbell Mode" DIP switch 2 must be set to ON. The **C-500**'s entry phone ringing can be disabled by entering 0#62 in programming. See the **C-500** Product Manual for complete programming instructions (DOD 177).



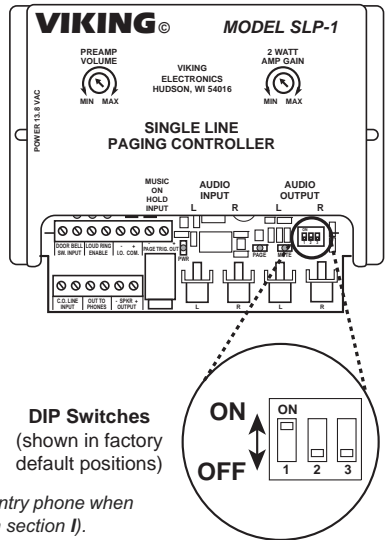
# Programming

## A. DIP Switch Programming

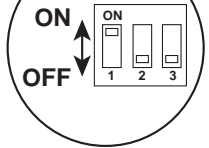
Switch	Position	Description
1	OFF	On-hold alarm disabled
1	ON	On-hold alarm tone enabled, a double beep each minute a call is on hold (factory default)
2	OFF	Doorbell input connected to a typical doorbell switch (factory default)
2	ON	* Doorbell input connected to a <b>C-200, C-500, C-1000B, or C-2000B</b> N.O. auxiliary contact output
3	OFF	Instant outside line access (factory default)
3	ON	Dial "9" to access an outside line

**Note:** Place DIP switches in the desired position then momentarily power down the unit.

\* **Note:** This mode will provide unique chimes for each doorbox/entry phone when used with a **C-200, C-500, C-1000B or C-2000B** (see **Operation** section I).



**DIP Switches**  
(shown in factory default positions)



## B. Eliminating Paging Feedback Squeal

Paging feedback squeal can occur when phones are used in close proximity to the paging speakers. To eliminate paging feedback, turn down the paging volume, move the phones away from the speakers or install a Viking model **FBI-1A** Digital Anti-Feedback Paging Interface. For more information on installing the **FBI-1A** with the **SLP-1**, see **DOD 873**.

# Operation

## A. Paging

To page throughout the house/small business, simply press **#**, then **7** (the letter "P" key on your keypad). Speak into the phone receiver and your voice will be heard throughout the house or small business over the speakers. If background music is present over the speakers, it will automatically mute allowing your page to be heard. If you have a caller on the phone, they will automatically be put on hold. You can get the caller back by simply pressing **#8** or by momentarily hanging up. **Note:** The **PAGE LED** will light during paging.

## B. Placing a Call On Hold

To place a call on hold, simply press **#** then **6** (the letter "O" key on your keypad), two beeps should be heard confirming the call is on hold, then hang up. The call can then be taken on another phone elsewhere in your home or small business. Optional Music-On-Hold can be provided.

## C. Releasing a Call On Hold

If you hang up the phone after placing a call on hold, simply coming off-hook with any phone will return you to the caller on hold. If you have placed a caller on hold (**#6**) or have announced a page (**#7**) and have remained off-hook, enter **#8** or momentarily hang up to return to the caller on hold.

If the caller hangs up while on hold, the **SLP-1** can sense a CPC disconnect signal and will automatically release the line. **Note:** The **SLP-1** has a maximum on-hold call time of 1 hour. After a caller has been on hold for 1 hour, the **SLP-1** will automatically disconnect the call.

## D. On-Hold Alarm Tones

The **SLP-1** can provide on-hold alarm tones to alert you that a caller has been left on hold. After each minute the call has been left on hold, the **SLP-1** will momentarily mute the background music and output a double beep tone over the speakers. This feature can be disabled by setting DIP switch **1** to **OFF** (see **DIP Switch Programming** above).

## E. Phone to Phone Intercom

This feature allows you to first page someone over the speakers, then speak with them over the phone without the conversation being heard over the speakers. To perform this function, simply press **#**, then **7** (the “**P**” key on your keypad), announce your page, then press the numeric **0** key. Another phone coming off-hook will be instantly connected.

## F. System Bypass

The system bypass allows you to use outside phone services (automated attendants, etc.) that require the use of the **#** key. Come off hook with any phone and enter **#9**, two confirmation beeps should be heard, hang up the phone. The **SLP-1** will now ignore all Touch Tone commands on the next off-hook.

## G. Music Mute

To mute the background music any time you are on the phone, simply enter **#5**. The background music will return when you enter **#5** again or hang-up the phone. The **MUTE** LED will light while the background music is muted. **Note:** *The music mute command (#5) should not be used in multi-line applications.*

## H. Outside Line Access Mode

With DIP switch **3** in the **OFF** position (see **DIP Switch Programming** page 7), simply coming off-hook will instantly give you the outside line. With DIP switch **3** in the **ON** position, you must dial a “**9**” to get an outside line. The **SLP-1**'s features remain the same in either mode. **Note:** *Instant outside line access mode is for use with private dial tone.*

## I. Door Chime (Doorbell Switch Input)

With DIP switch **2** in the **OFF** position (see **DIP Switch Programming**, page 7), the doorbell input terminals on the **SLP-1** can be connected to a normally open switch (lighted or non-lighted doorbell buttons, etc.). When the switch is activated, the unit will momentarily mute the background music and provide a door chime (ding-dong) sound over the speakers. **Note:** *This input is not polarity sensitive and is designed to light standard 6-16V lighted doorbell switches.*

With DIP switch **2** in the **ON** position, the doorbell input terminals on the **SLP-1** can be connected to a **C-200**, **C-500**, **C-1000B** or **C-2000B** normally open auxiliary relay contacts. When doorbox 1 on the **C-1000B** (or an entry phone on a **C-200**) is activated, the **SLP-1** will momentarily mute the background music and provide a door chime (ding-dong) sound over the speakers. When doorbox 2 on the **C-1000B** is activated, a double chime (ding-ding) will be heard over the speakers. When doorphone 1 on the **C-2000B** or **C-500** is activated, the **SLP-1** will momentarily mute the background music and provide a door chime (ding-dong) sound over the speakers. When door phone 2, 3 or 4 on the **C-2000B** or **C-500** is activated, the **SLP-1** will produce 2, 3 or 4 dings respectively. This is ideal for determining which door the visitor is located at without having to answer the telephone. **Note:** *The C-1000B or C-2000B must have the auxiliary contact mode programmed for custom ring cadence. For more information, refer to the C-200, C-500, 1000B or C-2000B Product Manual.*

## J. Loud Ringing

The **SLP-1** can momentarily mute background music and provide loud ringing (warble sound) over the speakers each time the incoming phone line rings. To enable this feature, short terminals labeled **LOUD RING ENABLE**. This input can also be connected to a SPST switch or time controlled relay for night ring applications. **Note:** *With loud ringing enabled, if the incoming phone line rings during a page or phone to phone intercom, a short “loud ring” burst will be heard over the speakers every 15 seconds or until the line stops ringing.*

## K. I.O. Communications (for Multi-Line Applications)

The **SLP-1** is designed to operate on a single phone line. If paging is required on two or more phone lines, connect one **SLP-1** per line. Multiple **SLP-1**'s can be connected to the same Pre-Amp, Amp or Receiver. In this application the terminals labeled **IO COM** should be connected in parallel to each **SLP-1**. **Caution:** *This connection is polarity sensitive. With the I.O. communication connected between each **SLP-1**, paging will be allowed on a first come, first serve basis. If paging is active on one **SLP-1**, any person attempting to page on another **SLP-1** will hear a busy signal on their phone.*



Make a photocopy of the **Quick Reference Guide** (below) and place one near your phones for quick reference to all of the **SLP-1 Touch Tone** commands.

## VIKING SLP-1 Quick Reference Guide

FEATURE	TOUCH TONE COMMAND	DESCRIPTION
Page	# 7	"P" for Page. Speak into the phone and your voice will be heard throughout the house or small business over the speakers. Pressing #7 automatically places a caller on hold; to return to the caller after the page press #8 or momentarily hang-up.
Hold	# 6	"O" for On-Hold. Allows you to place a caller on hold (with music), hang up and take the call on another phone in the house or small business.
Release Hold	# 8 or momentarily hang-up	This releases the caller on hold, allowing you to converse with the caller.
Phone To Phone Intercom	# 7 then 0	This allows you to talk with someone at another phone in the house or small business after a page, without the conversation being heard over the speakers.
System Bypass	# 9, then momentarily hang-up	Enter #9, hear two beeps, and hang-up. The SLP-1 will now ignore all commands on the next off-hook. This allows you to use outside phone services (automated attendants, etc.) that require the # key.
Music Mute	# 5	This command allows you to mute the background music coming through your speakers for the duration of an incoming or outgoing call.
Outside Line Access (use only with DIP switch 3 ON)	9	Enter 9 to gain access to outside dial tone. <b>Note:</b> With DIP switch 3 in the <b>OFF</b> position, you will instantly have outside line dial tone from off-hook (for use with private dial tone).

### Standard Features

**Door Chime:** Background music mutes and door chime (ding-dong) will be heard over the speakers.

**Loud Ringing:** When enabled, background music will mute and incoming call ringing (warble) sound will be heard over the speakers for the duration of the ring.

**On-Hold Alarm Tones:** Each minute the call has been placed on hold, the background music will mute and a double On-Hold alarm tone will be heard over the speakers. **Note:** This feature can be disabled by setting DIP switch 1 to **OFF**.

**Note:** Touch Tone commands are ignored during doorchimes, loud ringing and on-hold alarm tones.

## Basic Single Entry Phone Interface

The **C-200** allows single line telephones or a telephone system to share a phone line with a single Viking entry phone. Tenants may answer an entry phone call and converse with the visitor.

The **C-200** provides a “Call Waiting” tone when the phone line is in use.

Tenants may call out to the entry phone for monitoring purposes. Auxiliary contacts are provided to operate a doorbell, or activate a camera, lights, etc.



- Add an entry phone to your standard home or office phones to provide door communication
- Provide commercial or residential security via two-way handsfree communication at the door or gate
- Connects in series with a single phone line or to a phone system's unused line input (loop start trunk input)

For more information, see DOD 169

## Advanced Two Door Entry Phone Controller with Call Forwarding and Door Strike Controls

The **C-500** allows single line telephones or a telephone system to share a phone line with two Viking entry phones. Up to four **C-500**'s can also be connected in series allowing control of up to eight entry phones and/or doorstrikes. Tenants may answer an entry phone call, converse with the visitor and let them in with a touch tone command which activates one of two relays to control a gate or door strike.

The **C-500** also has a built in five number dialer to call your cell phone or an outside line if there is no answer on the inside phone. If the outside call is busy or ring no answer, the **C-500** can call up to four more numbers.

The **C-500** provides the house phones with user programmable entry phone “Caller ID”. Tenants may also call the entry phones for monitoring purposes or enter touch tone commands to activate, deactivate or toggle the doorsrike/gate relays.



The **C-500** allows up to 6 permanent keyless entry codes, 2 “one time use” entry codes and 1 toggle entry code for each door. The **C-500** provides optional entry phone distinctive ring, two trigger inputs for “Request to Exit” and field programmable Caller ID or beep tones when answered to indicate which door is activated.

# Add One or Two Doorboxes to an Existing Phone Line and Provide CCTV Camera Control

The **C-1000B** allows single line phones or phone systems to share a phone line with one or two Viking doorboxes or paging amplifiers. The **C-1000B** provides two Touch Tone controlled relays to operate door strikes or gate openers and provides doorbox triggered CCTV camera switching.

Viking doorboxes and paging amplifiers can be used on single line, residential or home office applications as well as on fully loaded systems, because they are no longer limited to installation on unused trunk ports.



- Add one or two **Viking** Doorboxes to your home or office phones
- **Switch between two CCTV cameras automatically when either doorbox is activated**
- Add a **Viking SLP-1** Single Line Paging Controller to provide paging, intercom, loud ringing, door chime and music on hold features
- Provide commercial or residential security via two-way handsfree communication from a door or gate
- Use as a line concentrator (one fax machine or answering machine can answer three lines)

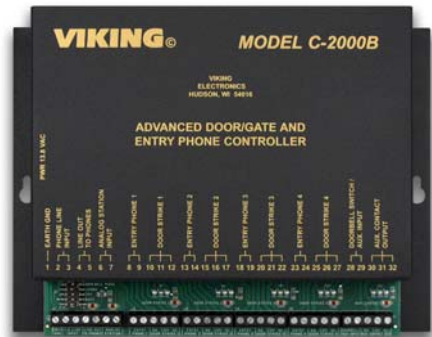
For more information, see DOD 168

# Add Entry Phones and Doorstrike Control to an Existing Line Or Securely Operate Multiple Doorstrikes

The **C-2000B** offers two operational modes for flexibility in operation.

In the Single Line Ring Through Mode, the **C-2000B** allows single line phones to share a phone line with 1 to 4 entry phones. Tenants may converse with visitors and activate a contact closure to control gates or strikes. The **C-2000B** provides entry phone "Caller ID" and "Call Waiting Caller ID" and a "Call Waiting" tone when the phone line is in use. Tenants can enter at each location by entering a keyless entry code.

In the Analog Station Dial Through Mode, the **C-2000B** allows 1 to 4 entry phones to share one analog PABX extension or telephone line and place outgoing calls. When a remote party answers, they can converse with visitors and activate a contact closure to control gates or strikes. Monitoring entry phones, forcing doorstrike relays to operate or remote programming of the **C-2000B** can be accomplished by calling the analog PABX extension or telephone line connected. Authorized personnel can enter at each location by entering a keyless entry code.



In either operational mode, the secure relay control of the **C-2000B** prevents the entry phone from dialing the activation code on the keypad of the entry phone or using a hand held touch tone dialer. An auxiliary input is available for connecting a lighted doorbell switch, a common garage door opener/receiver or an auxiliary keyless entry keypad.

For more information on the C-2000B, see DOD 156

# Warranty

**IF YOU HAVE A PROBLEM WITH A VIKING PRODUCT, CONTACT: VIKING TECHNICAL SUPPORT AT (715) 386-8666**

Our Technical Support Department is available for assistance Monday 8am - 4pm and Tuesday through Friday 8am - 5pm central time. So that we can give you better service, before you call please:

1. Know the model number, the serial number and what software version you have (see serial label).
2. Have your Product Manual in front of you.
3. It is best if you are on site.

## RETURNING PRODUCT FOR REPAIR

The following procedure is for equipment that needs repair:

1. Customer must contact Viking's Technical Support Department at 715-386-8666 to obtain a Return Authorization (RA) number. The customer MUST have a complete description of the problem, with all pertinent information regarding the defect, such as options set, conditions, symptoms, methods to duplicate problem, frequency of failure, etc.
2. Packing: Return equipment in original box or in proper packing so that damage will not occur while in transit. Static sensitive equipment such as a circuit board should be in an anti-static bag, sandwiched between foam and individually boxed. All equipment should be wrapped to avoid packing material lodging in or sticking to the equipment. Include ALL parts of the equipment. C.O.D. or freight collect shipments cannot be accepted. Ship cartons prepaid to: **Viking Electronics, 1531 Industrial Street, Hudson, WI 54016**
3. Return shipping address: Be sure to include your return shipping address inside the box. We cannot ship to a PO Box.
4. RA number on carton: In large printing, write the R.A. number on the outside of each carton being returned.

## RETURNING PRODUCT FOR EXCHANGE

The following procedure is for equipment that has failed out-of-box (within 10 days of purchase):

1. Customer must contact Viking's Technical Support at 715-386-8666 to determine possible causes for the problem. The customer MUST be able to step through recommended tests for diagnosis.
2. If the Technical Support Product Specialist determines that the equipment is defective based on the customer's input and troubleshooting, a Return Authorization (R.A.) number will be issued. This number is valid for fourteen (14) calendar days from the date of issue.
3. After obtaining the R.A. number, return the approved equipment to your distributor, referencing the R.A. number. Your distributor will then replace the Viking product using the same R.A. number.
4. The distributor will NOT exchange this product without first obtaining the R.A. number from you. If you haven't followed the steps listed in 1, 2 and 3, be aware that you will have to pay a restocking charge.

## TWO YEAR LIMITED WARRANTY

Viking warrants its products to be free from defects in the workmanship or materials, under normal use and service, for a period of two years from the date of purchase from any authorized Viking distributor. If at any time during the warranty period, the product is deemed defective or malfunctions, return the product to Viking Electronics, Inc., 1531 Industrial Street, Hudson, WI., 54016. Customer must contact Viking's Technical Support Department at 715-386-8666 to obtain a Return Authorization (R.A.) number.

This warranty does not cover any damage to the product due to lightning, over voltage, under voltage, accident, misuse, abuse, negligence or any damage caused by use of the product by the purchaser or others. This warranty does not cover non-EWP products that have been exposed to wet or corrosive environments. This warranty does not cover stainless steel surfaces that have not been properly maintained.

**NO OTHER WARRANTIES.** VIKING MAKES NO WARRANTIES RELATING TO ITS PRODUCTS OTHER THAN AS DESCRIBED ABOVE AND DISCLAIMS ANY EXPRESS OR IMPLIED WARRANTIES OR MERCHANTABILITY OR FITNESS FOR ANY PARTICULAR PURPOSE.

**EXCLUSION OF CONSEQUENTIAL DAMAGES.** VIKING SHALL NOT, UNDER ANY CIRCUMSTANCES, BE LIABLE TO PURCHASER, OR ANY OTHER PARTY, FOR CONSEQUENTIAL, INCIDENTAL, SPECIAL OR EXEMPLARY DAMAGES ARISING OUT OF OR RELATED TO THE SALE OR USE OF THE PRODUCT SOLD HEREUNDER.

**EXCLUSIVE REMEDY AND LIMITATION OF LIABILITY.** WHETHER IN AN ACTION BASED ON CONTRACT, TORT (INCLUDING NEGLIGENCE OR STRICT LIABILITY) OR ANY OTHER LEGAL THEORY, ANY LIABILITY OF VIKING SHALL BE LIMITED TO REPAIR OR REPLACEMENT OF THE PRODUCT, OR AT VIKING'S OPTION, REFUND OF THE PURCHASE PRICE AS THE EXCLUSIVE REMEDY AND ANY LIABILITY OF VIKING SHALL BE SO LIMITED.

IT IS EXPRESSLY UNDERSTOOD AND AGREED THAT EACH AND EVERY PROVISION OF THIS AGREEMENT WHICH PROVIDES FOR DISCLAIMER OF WARRANTIES, EXCLUSION OF CONSEQUENTIAL DAMAGES, AND EXCLUSIVE REMEDY AND LIMITATION OF LIABILITY, ARE SEVERABLE FROM ANY OTHER PROVISION AND EACH PROVISION IS A SEPARABLE AND INDEPENDENT ELEMENT OF RISK ALLOCATION AND IS INTENDED TO BE ENFORCED AS SUCH.

### FCC REQUIREMENTS

This equipment complies with Part 68 of the FCC rules and the requirements adopted by the ACTA. On the side of this equipment is a label that contains, among other information, a product identifier in the format US-AAAEQ#TXXXX. If requested, this number must be provided to the telephone company.

The REN is used to determine the number of devices that may be connected to a telephone line. Excessive REN's on a telephone line may result in the devices not ringing in response to an incoming call. In most but not all areas, the sum of the REN's should not exceed five (5.0). To be certain of the number of devices that may be connected to a line, as determined by the total REN's, contact the local telephone company. For products approved after July 23, 2001, the REN for this product is part of the product identifier that has the format US-AAAEQ#TXXXX. The digits represented by # are the REN without a decimal point (e.g., 03 is a REN of 0.3). For earlier products, the REN is separately shown on the label.

The plug used to connect this equipment to the premises wiring and telephone network must comply with the applicable FCC Part 68 rules and requirements adopted by the ACTA. If your home has specially wired alarm equipment connected to the telephone line, ensure the installation of this SLP-1 does not disable your alarm equipment. If you have questions about what will disable alarm equipment, consult your telephone company or a qualified installer.

If the SLP-1 causes harm to the telephone network, the telephone company will notify you in advance that temporary discontinuance of service may be required. But if advance notice isn't practical, the telephone company will notify the customer as soon as possible. Also, you will be advised of your right to file a complaint with the FCC if you believe it is necessary.

The telephone company may make changes in its facilities, equipment, operations, or procedures that could affect the operation of the equipment. If this happens, the telephone company will provide advance notice in order for you to make the necessary modifications to maintain uninterrupted service.

If trouble is experienced with the SLP-1, for repair or warranty information, please contact:

**Viking Electronics, Inc., 1531 Industrial Street, Hudson, WI 54016 (715) 386-8666**

If the equipment is causing harm to the telephone network, the telephone company may request that you disconnect the equipment until the problem is resolved.

Connection to Party Line Service is subject to State Tariffs. Contact the state public utility commission, public service commission or corporation commission for information.

**WHEN PROGRAMMING EMERGENCY NUMBERS AND (OR) MAKING TEST CALLS TO EMERGENCY NUMBERS:**

Remain on the line and briefly explain to the dispatcher the reason for the call. Perform such activities in the off-peak hours, such as early morning or late evenings.

It is recommended that the customer install an AC surge arrester in the AC outlet to which this device is connected. This is to avoid damaging the equipment caused by local lightning strikes and other electrical surges.

### PART 15 LIMITATIONS

This equipment has been tested and found to comply with the limits for a Class A digital device, pursuant to Part 15 of the FCC Rules. These limits are designed to provide reasonable protection against harmful interference when the equipment is operated in a commercial environment. This equipment generates, uses, and can radiate radio frequency energy and, if not installed and used in accordance with the instruction manual, may cause harmful interference to radio communications. Operation of this equipment in a residential area is likely to cause harmful interference in which case the user will be required to correct the interference at his own expense.

**Product Support: (715) 386-8666**

Due to the dynamic nature of the product design, the information contained in this document is subject to change without notice. Viking Electronics, and its affiliates and/or subsidiaries assume no responsibility for errors and omissions contained in this information. Revisions of this document and new editions of it may be issued to incorporate such changes.