

VIKING

TECHNICAL Practice

TELECOM SOLUTIONS FOR THE 21ST CENTURY

VE-9x12/VE-9x20

**Outdoor
Enclosures**

April 16, 2013

Added Protection for Your Viking Emergency Phone, Entry Phone, Doorbox or Other Telecom Device



The **VE-9x12** and **VE-9x20** provide the ultimate in weather protection for your Viking product or other telecom devices.

These enclosures are constructed of cast aluminum and are made for years of outdoor service. The heavy-duty aluminum doors are labeled "Telephone" and have a gasket seal to keep out even the harshest weather. The **VE-9x12** allows you to choose from two panels that allow mounting many different Viking products.

Both the **VE-9x12** and **VE-9x20** are available in three high visibility colors: emergency red with silver lettering, safety yellow with red lettering, or black with silver lettering.



VE-9x12(R)-0

Features

- Designed to meet NEMA/EEMAC Type 4, 4X and 12 requirements
- Heavy-duty 319 cast aluminum construction
- Powder coated for durability and UV stability
- Drip guard and gasket sealed door
- 0.020" thick stamped aluminum "Telephone" label with scratch resistant UV stable clear coat
- ½" NPT conduit openings on top and bottom
- Available in Emergency Red, Safety Yellow or matte Black
- Mounting holes for a standard RJ11 wall plate (**VE-9x12** with adapter panel 1)
- **VE-9x12** available with two adapter panels
- **VE-9x20** comes with a standard adapter panel
- Hardware included with all adapter panels
- Optional **VE-SPG** door return hinge spring available
- Optional **VE-PBL** push button lock and key set available
- **VE-9x12-0** and **VE-9x20-0**: Enclosures without adapter plates for mounting other (non-Viking) telecom products, available in all three colors, label included
- Compatible with these Viking products:

VE-9x12(R/Y/B)-1 VE-9x12(R/Y/B)-2 VE-9x20(R/Y/B)

- | | | |
|--------------|--------------|------------|
| - E-20B | - E-10A | - K-1500-7 |
| - E-1600A | - E-30 | - K-1900-7 |
| - E-1600-03B | - E-30-PT | - K-1900-8 |
| - E-1600-60A | - E-35 | |
| - E-1600-45A | - E-60 | R = Red |
| - K-1500P-W | - E-1600-20A | Y = Yellow |
| - K-1900W-2 | - E-1600-30A | B = Black |
| - W-2000A | - W-1000 | |
| | - W-3000 | |

Applications

- Parking lots
- Maintenance areas
- Building exteriors
- Swimming pools
- Play grounds
- Roadside help areas

Phone... 715.386.8861

info@vikingelectronics.com

http://www.vikingelectronics.com

Specifications

Dimensions: See "Specifications," page 2

Shipping Weight: **VE-9x12** - 5.9 kg (13 lbs), **VE-9x20** - 7.7 kg (17 lbs)

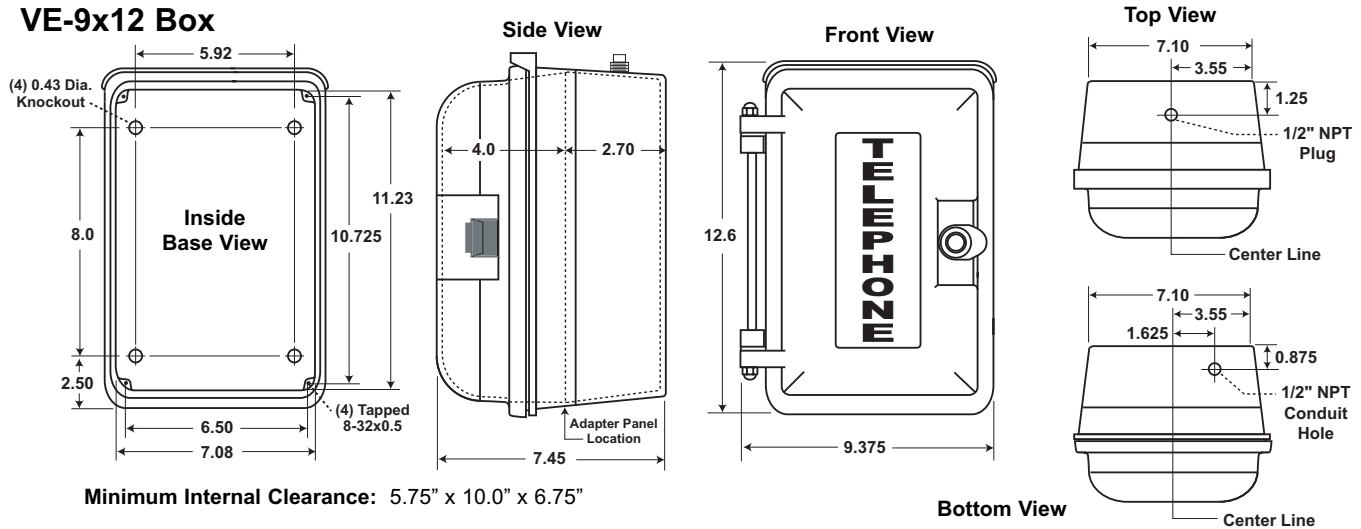
Colors: Red with silver lettering, yellow with red lettering or matte black with silver lettering

Conduit Opening: ½" NPT top and bottom with top plug

NEMA Rating: Designed to meet NEMA/EEMAC Type 4, 4X and 12 requirements

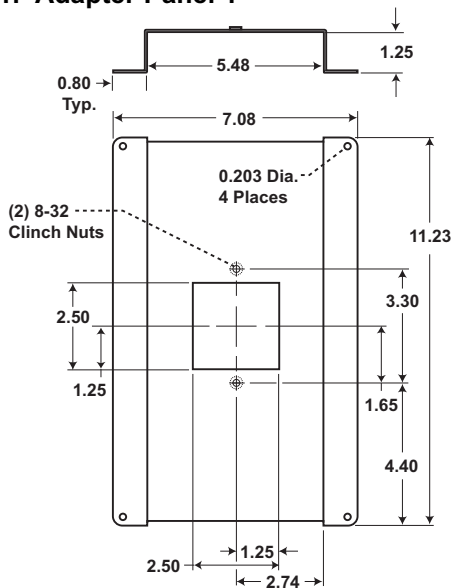
Specifications

A. VE-9x12 Box



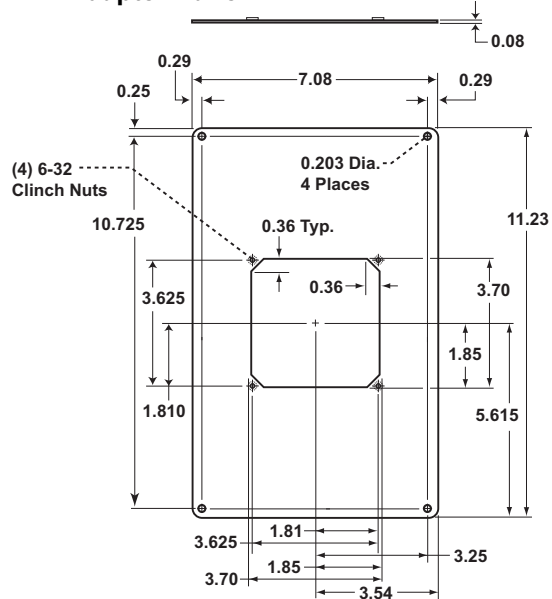
B. VE-9x12 Adapter Panels

1. Adapter Panel 1



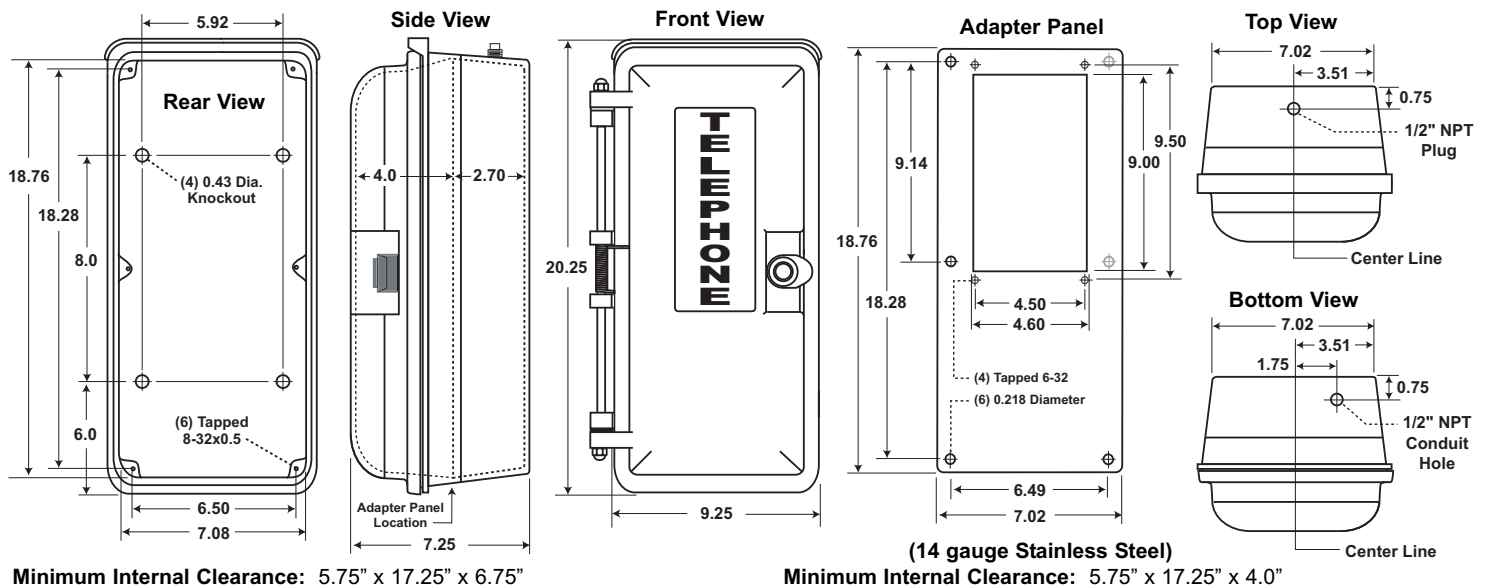
(12 gauge Aluminum Black Powder Paint)
Minimum Internal Clearance: 5.75" x 10.0" x 5.25"

2. Adapter Panel 2



(12 gauge Aluminum Black Powder Paint)
Minimum Internal Clearance: 5.75" x 10.0" x 4.0"

C. VE-9x20 Box



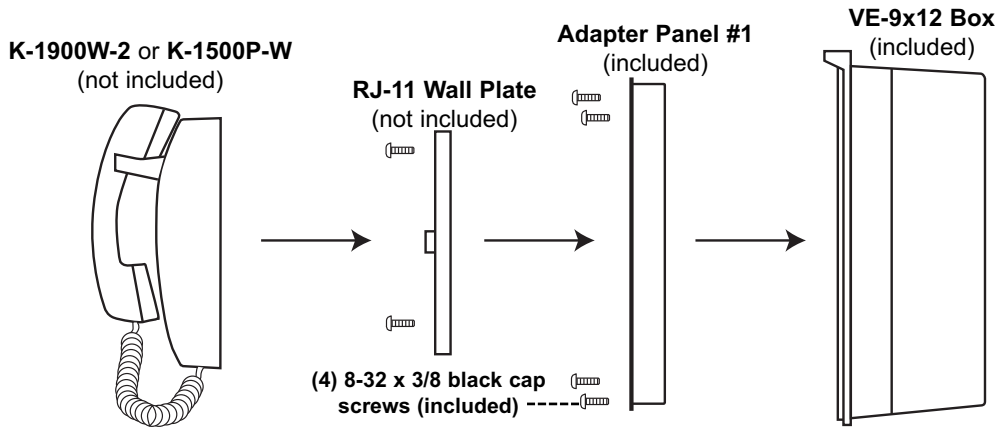
Installation

A. Adhering the Optional “Telephone” Label on the VE-9x12-0 or VE-9x20-0

1. Clean the recessed area on the door cover with isopropol alcohol.
2. Make sure the outside edges of the “Telephone” label are not warped upward (re-form if necessary). Remove backing paper, then firmly press label in recessed area on the front cover.

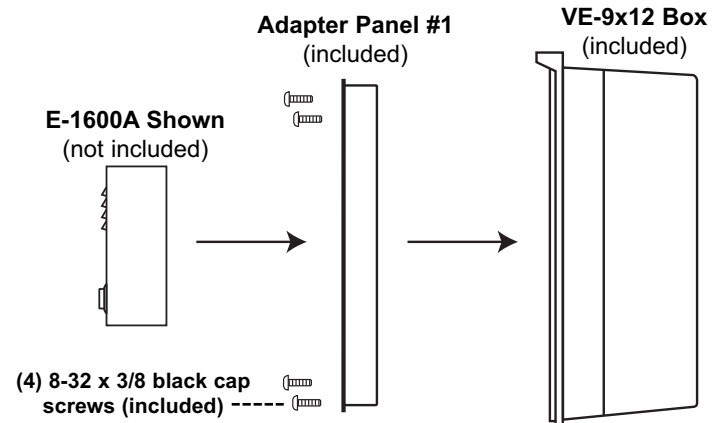
B. Using the VE-9x12 to mount the K-1900W-2 or K-1500P-W

1. Mount the **VE-9x12** to the wall, or surface desired, using the (4) corner mounting holes.
2. Run the conduit and wiring as appropriate.
3. Attach adapter panel #1 using the (4) included 8-32 x 3/8 black cap screws.
4. Attach a standard RJ11 wall plate (Radio Shack part # 279-451 or equivalent).
5. Attach the **K-1900W-2** or **K-1500P-W** to the RJ11 wall plate.



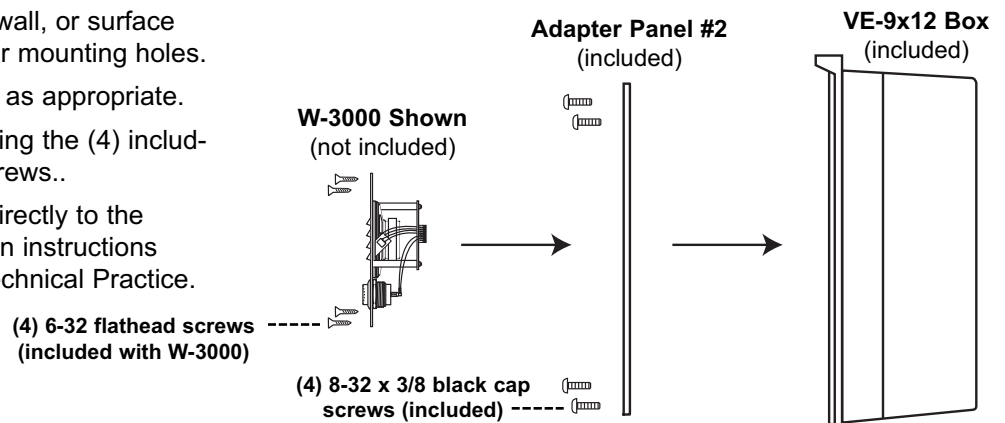
C. Using the VE-9x12 to mount the E-20B, E-1600A, E-1600-03B, E-1600-45A, E-1600-60A or W-2000A

1. Mount the **VE-9x12** to the wall, or surface desired, using the (4) corner mounting holes.
2. Run the conduit and wiring as appropriate.
3. Attach adapter panel #1 using the (4) included 8-32 x 3/8 black cap screws.
4. Attach the Viking product directly to the adapter using the installation instructions provided in the product’s Technical Practice.



D. Using the VE-9x12 to mount the E-10, E-30, E-60, E-1600-20A, W-1000 or W-3000

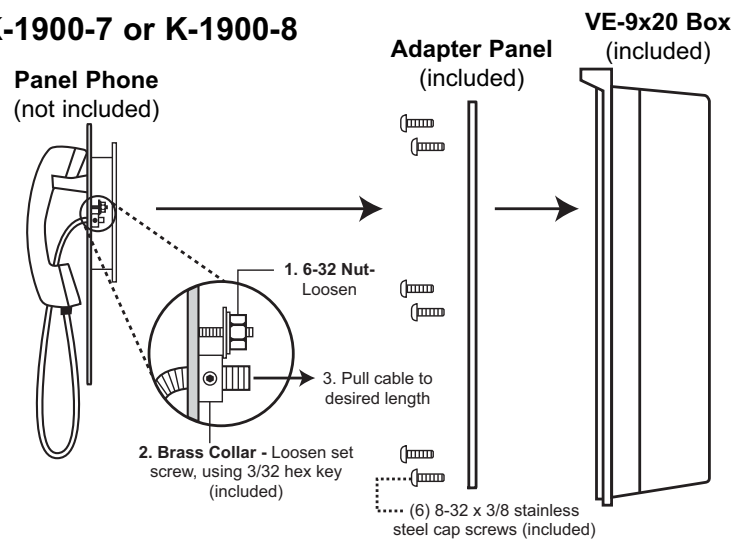
1. Mount the **VE-9x12** to the wall, or surface desired, using the (4) corner mounting holes.
2. Run the conduit and wiring as appropriate.
3. Attach adapter panel #2 using the (4) included 8-32 x 3/8 black cap screws..
4. Attach the Viking product directly to the adapter using the installation instructions provided in the product’s Technical Practice.



E. Using the VE-9x20 to mount the K-1500-7, K-1900-7 or K-1900-8

1. Remove adapter panel from the **VE-9x20** using the included hex key.
2. Mount the **VE-9x20** to the wall, or surface desired, using the (4) corner mounting holes.
3. Run the conduit and wiring as appropriate.
4. Attach adapter panel.
5. Attach the Viking product directly to the adapter panel using the installation instructions provided in the product's Technical Practice.

Note: If you wish to shorten the armored cable of the panel phones, you may do so by loosening the 6-32 nut and brass collar located on the back of the stainless steel panel and pulling the cable through to its desired length, then retightening the nut and brass collar (see diagram right).



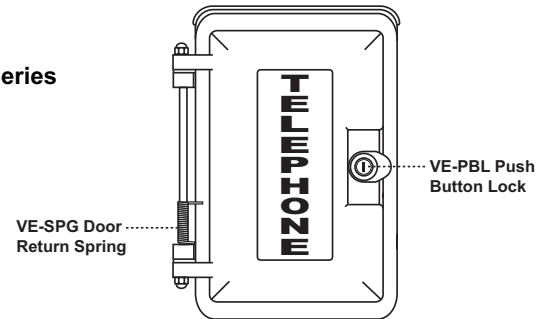
Caution: When warm air comes in contact with cold surfaces, such as outside walls and conduits, it causes condensation. To prevent condensation and moisture from accumulating inside the **VE-9x12** or **VE-9x20** always bring conduit into the bottom of the unit.

F. Optional VE-PBL Push Button Lock

An optional **VE-PBL** lock and key set is available if you choose to keep your **VE-Series** phone box locked. Please contact your distributor for pricing and availability.

G. Optional VE-SPG Door Return Hinge Spring

An optional **VE-SPG** door return hinge spring is available to assure the door is closed after use. Please contact your distributor for pricing and availability.



H. Compatible Products and Adapter Panels

Product	DOD#	Description	Model Number	Color	Panel
E-10A	210	Emergency speaker phone with call button, flush mount.	VE-9x12	R/Y/B	2
E-20B	215	Emergency speaker phone with push button, surface mount.	VE-9x12	R/Y/B	1
E-30	215	Stainless steel handsfree phone with dialer, flush mount.	VE-9x12	R/Y/B	2
E-30-PT	214	Stainless steel handsfree phone with dialer and push to talk button.	VE-9x12	R/Y/B	2
E-35	178	Stainless steel handsfree phone with color video camera.	VE-9x12	R/Y/B	2
E-60	206	Double gang entry phone with LED.	VE-9x12	R/Y/B	2
E-1600A	215	Red ADA compliant handsfree emergency phone.	VE-9x12	R/Y/B	1
E-1600-03B	210	Stainless steel ADA compliant handsfree emergency phone.	VE-9x12	R/Y/B	1
E-1600-30A	215	Stainless steel, flush mount ADA compliant handsfree emergency phone.	VE-9x12	R/Y/B	2
E-1600-60A	215	Blue ADA compliant handsfree emergency phone.	VE-9x12	R/Y/B	1
E-1600-45A	212	ADA compliant handsfree emergency phone, yellow.	VE-9x12	R/Y/B	1
K-1500P-W	355	Wall phone with ringer and network.	VE-9x12	R/Y/B	1
K-1500-7	352	Vandal resistant stainless steel panel phone.	VE-9x20	R/Y/B	
K-1900W-2	360	Hot-line wall phone with non-volatile memory.	VE-9x12	R/Y/B	1
K-1900-7	360	Hot-line vandal resistant stainless steel panel phone.	VE-9x20	R/Y/B	
K-1900-8	362	Hot-line, stainless steel panel phone with keypad and armored cable.	VE-9x20	R/Y/B	
W-1000	170	Weather resistant handsfree doorbox, flush mount.	VE-9x12	R/Y/B	2
W-2000A	170	Weather resistant handsfree doorbox, surface mount.	VE-9x12	R/Y/B	1
W-3000	180	Stainless steel handsfree doorbox, flush mount.	VE-9x12	R/Y/B	2
W-3005	181	Stainless steel handsfree doorbox with color video camera.	VE-9x12	R/Y/B	2

Product Support Line...715.386.8666

Fax Back Line...715.386.4345

Due to the dynamic nature of the product design, the information contained in this document is subject to change without notice. Viking Electronics, and its affiliates and/or subsidiaries assume no responsibility for errors and omissions contained in this information. Revisions of this document or new editions of it may be issued to incorporate such changes.