

# APPLICATION Note

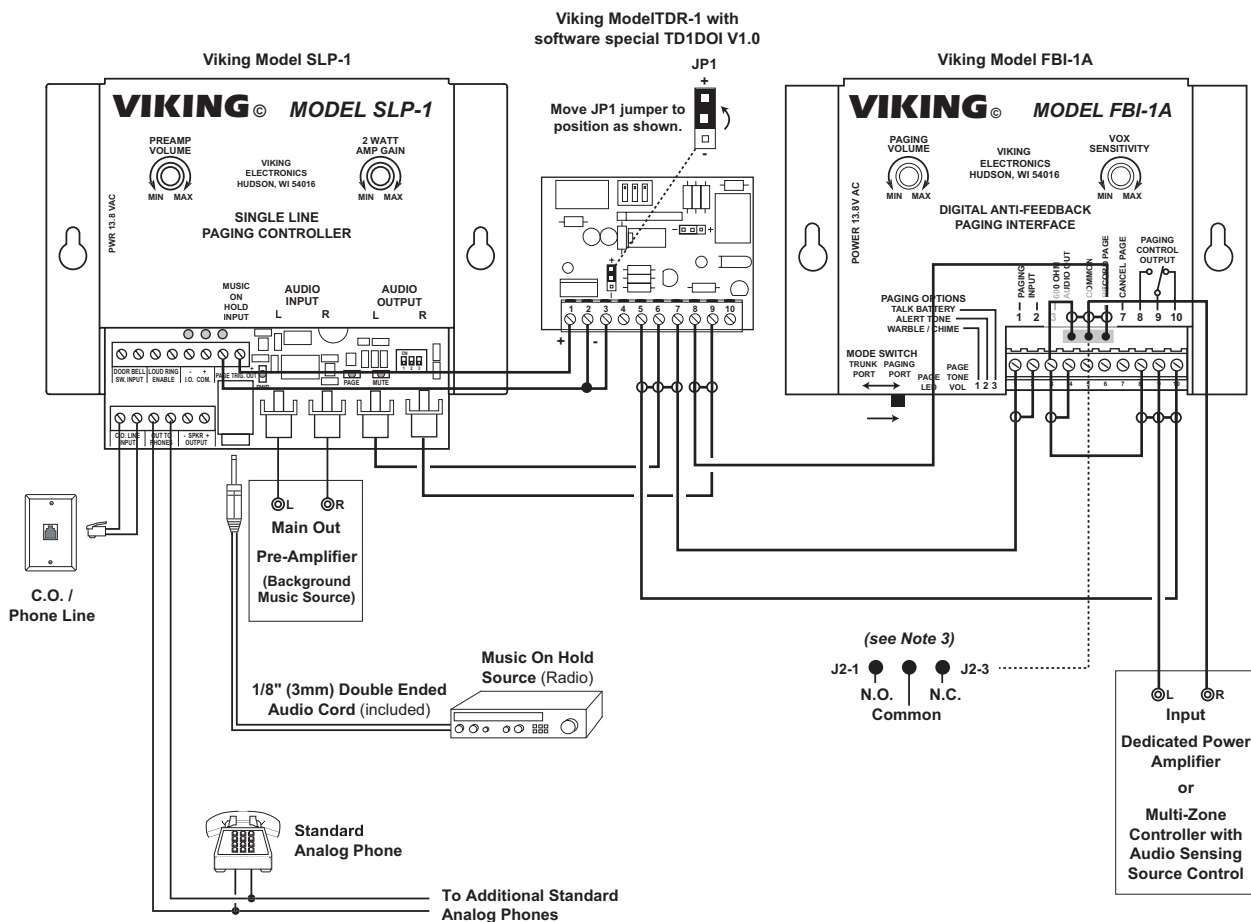
**TELECOM SOLUTIONS FOR THE 21ST CENTURY**

## SLP-1

**Eliminate Feedback  
on the SLP-1**

August 22, 2005

## Eliminating SLP-1 Paging Feedback by Connecting an FBI-1A and TDR-1



### Notes:

1.  $\phi$  = Common all signal GNDs
2. TDR-1 requires software special **TD1DOI V1.0**, contact Viking Technical Support at 715-386-8666.
3. Connections to J2 on the **FBI-1A** must be soldered.

**Product Support Line...715.386.8666**

**Fax Back Line...715.386.4345**

Due to the dynamic nature of the product design, the information contained in this document is subject to change without notice. Viking Electronics, and its affiliates and/or subsidiaries assume no responsibility for errors and omissions contained in this information. Revisions of this document or new editions of it may be issued to incorporate such changes.