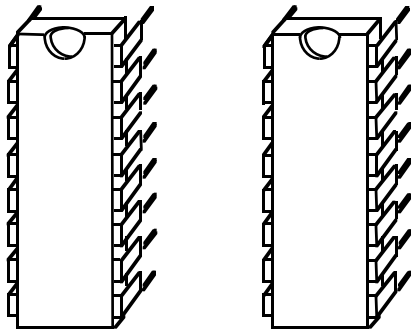


Expand the Digital Voice Memory of Your DVA-500 or DVA-1003A



The **DRAM-32** memory expansion kit expands the digital voice memory of the **DVA-500** and the **DVA-1003A** digital voice announcers. The kit provides 16 additional seconds of digital memory per channel, for a total of 32 seconds. Each kit includes two DRAM chips.

Note: The **DVA-1003A** requires three **DRAM-32** kits, one for each channel.

<http://www.VikingElectronics.com>

E-mail...Sales@VikingElectronics.com

Installation

Important: Electronic components are sensitive to static electricity. Personnel and the work area should be grounded before handling.

1. Disconnect the power to the digital voice announcer.
2. Open the enclosure of the **DVA-500** or the **DVA-1003A** by removing the exposed screws.
3. Carefully insert the **DRAM** chips with the indents facing in the direction as shown in the diagrams below.
4. Replace the cover of the digital announcer.

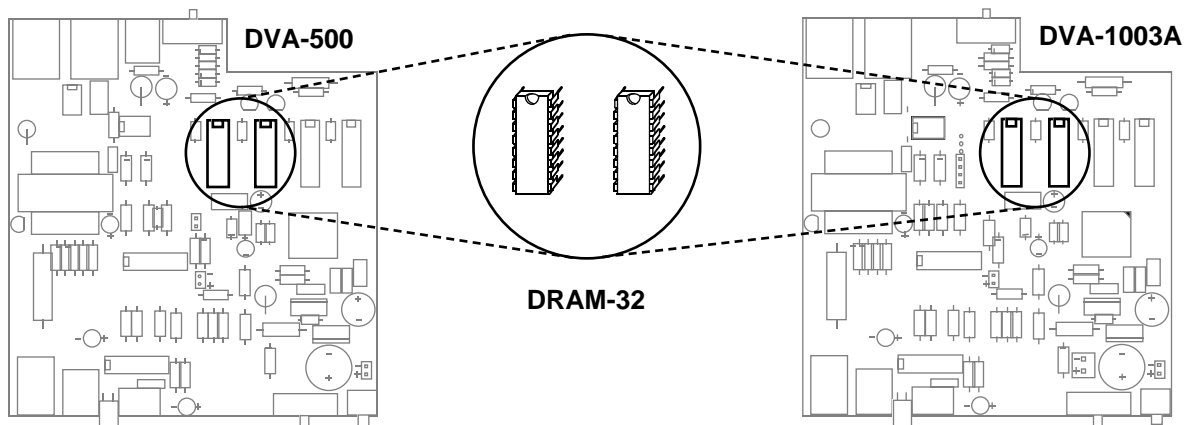
Specifications

Environmental: 0°C to 32°C (32°F to 90°F with 5% to 95% non-condensing humidity).

Description: Two 16 pin DRAM chips

Sales...(715) 386 - 8861

Made in the U.S.A.



Product Support Line...(715) 386-8666

Fax Back Line...(715) 386-4345

Due to the dynamic nature of the product design, the information contained in this document is subject to change without notice. Viking Electronics, its affiliates and/or subsidiaries assume no responsibility for errors and/or omissions contained in this information. Revisions of this document or new editions of it may be issued to incorporate such changes.