



APPLICATION Note

TELECOM SOLUTIONS FOR THE 21ST CENTURY

FAXJ-300

**Fax and Modem
Share One Line**

December 4, 2001

Your Fax and Modem Can Share the Same Line - Eliminating Dedicated Lines!

In the standard application, the **FAXJ-300** functions as a line sharing device for a *telephone* and a fax machine.

This simple application allows the **FAXJ-300** to function as a line sharing device for a *modem* and a fax machine. Typical devices which communicate via modem are personal computers, alarm panels, cash registers, etc. The **FAXJ-300** allows any of these modem devices to share one line with a fax machine.



info@vikingelectronics.com

<http://www.vikingelectronics.com>

Phone... 715.386.8861

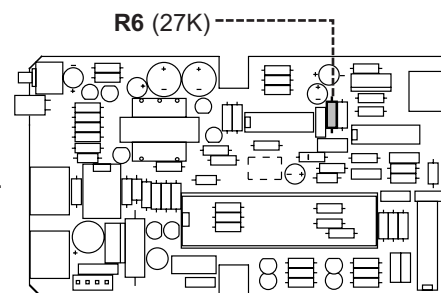
Made in the U.S.A.

Installation

A. Modification of the FAXJ-300

Note: This must be done prior to installation.

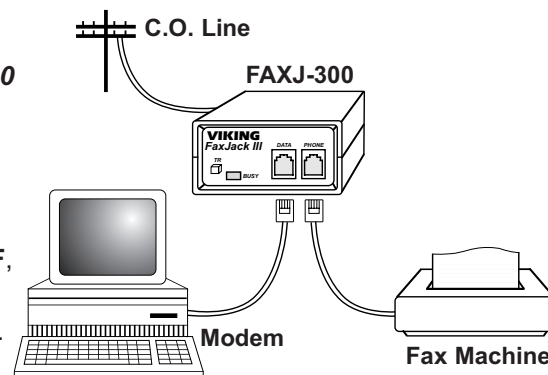
1. Disconnect the power from the **FAXJ-300**.
2. Remove the (2) screws on the bottom of the unit, and the upper case half.
3. Locate resistor **R6** on the board (as shown in the diagram to the right).
4. Clip (1) lead of **R6**. This disables the **FAXJ-300** CNG tone detector.
5. Reassemble the unit.



B. Installation of the Modified FAXJ-300

Note: This document is to be used in conjunction with the **FAXJ-300** Technical Practice (**Fax Back Document 260**).

1. Connect the fax machine (or telephone) to the **PHONE** port of the **FAXJ-300**.
2. Connect the modem to the **DATA** port of the **FAXJ-300**.
3. On the **FAXJ-300** set the DIP switches as follows: **1 - OFF, 2 - OFF, 3 - ON**.
4. Complete installation as shown in the **FAXJ-300** Technical Practice.



C. Operation of the Modified FAXJ-300

To auto-route inbound calls to the modem, have the caller enter the phone number and 3 seconds of pause (normally done by inserting “,,”) then enter 10-15 “1” Touch Tones (Example: “111111111”).

Product Support Line... 715.386.8666

Fax Back Line... 715.386.4345

Due to the dynamic nature of the product design, the information contained in this document is subject to change without notice. Viking Electronics, and its affiliates and/or subsidiaries assume no responsibility for errors and omissions contained in this information. Revisions of this document or new editions of it may be issued to incorporate such changes.