

APPLICATION Note

TELECOM SOLUTIONS FOR THE 21ST CENTURY

Baby Announcer

February 23, 2011

Brahms Lullaby Baby Announcer

Want a way to welcome the new members of the next generation? How about Viking's **DVA-2WA** playing the Brahms lullaby over the paging system, producing a happy feeling for the entire hospital? It can happen with mom's call to the nurse's station. Viking's model **K-600F** will trigger the **DVA-2WA** which mutes the background music and plays the recording (it can even repeat it seven times if septuplets arrive).



Model DVA-2WA (DOD# 110)

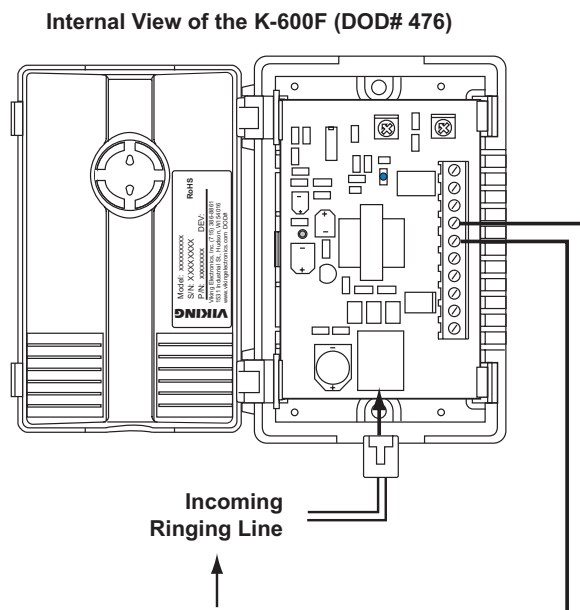
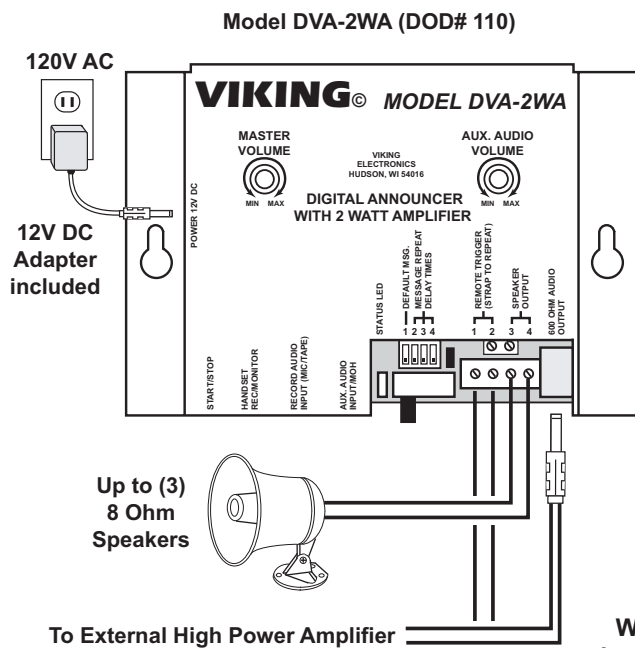
***Note:** Brahms Lullaby recording is not included. If you need a copy of the sound file, please contact Viking at 715-386-8861.*



**Model K-600F
(DOD# 476)**

<http://www.vikingelectronics.com>

Installation



When you call this phone line and allow it to ring at least once, the K-600F will trigger the DVA-2WA which mutes background music and plays the recording.

Due to the dynamic nature of the product design, the information contained in this document is subject to change without notice. Viking Electronics, and its affiliates and/or subsidiaries assume no responsibility for errors and omissions contained in this information. Revisions of this document or new editions of it may be issued to incorporate such changes.