



APPLICATION Note

TELECOM SOLUTIONS FOR THE 21ST CENTURY

DVA-1002 Replacement Solution

January 21, 2000

Replacing the DVA-1002 with other Digital Voice Announcers

The **DVA-1002** has been discontinued. This application note will explain how to replace the **DVA-1002** with more versatile digital announcers. Our complete line of professional, cost-effective Digital Announcers suit every application!

For applications requiring 4 wire E & M and a ring trip night message, a combination of the **DVA-500A** and the **DVA-LP** is recommended. For applications requiring both day and night ring messages, two **DVA-LPs** with a 16 second maximum record time are suggested. For applications requiring messages up to 60 seconds, the **DVA-500A** and a **ERAM-60** memory expansion kit are recommended.

These solutions provide superior sound quality with non-volatile E² memory, and remote record capabilities, all at a reduced cost.



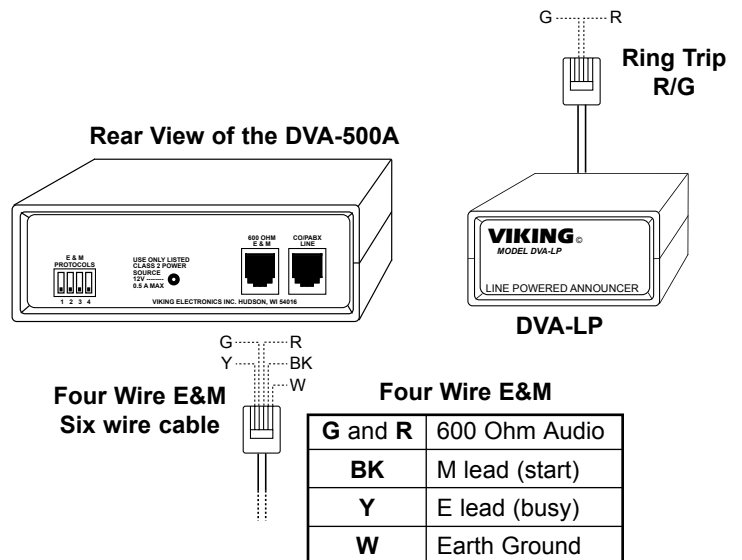
DVA-500A



DVA-LP

For more information on Viking's Digital Announcers, call the **Fax Back Line** at **715-386-4345** and follow the simple directions.

Fax Back Number	Model	Description and Features
825	All	Comparison of all announcers
110	DVA-2W	Promotion on Hold
115	DVA-500A	Single Channel Digital Announcer
125	DVA-1003B	3 Channel Digital Announcer
127	DVA-3003	3 Channel Long Play Announcer
128	DVA-LP	Line Powered Digital Announcer
129	DVA-TNT	Time and Temperature Announcer
813	ERAM-60	Memory Expansion Kit



Viking also offers Technical Practices and Application Notes on the web. Check it out:

<http://www.vikingelectronics.com>

Phone...715.386.8861

<http://www.vikingelectronics.com>

Product Support Line...715.386.8666

Fax Back Line...715.386.4345

Due to the dynamic nature of the product design, the information contained in this document is subject to change without notice. Viking Electronics, and its affiliates and/or subsidiaries assume no responsibility for errors and omissions contained in this information. Revisions of this document or new editions of it may be issued to incorporate such changes.