

Telecommunication Peripheral Products
Technical Practice

DVA-1003A
Three Channel Digital
Voice Announcer/Recorder
June 30, 1997

Multi-Channel Digital Voice Announcer and Recorder



The **DVA-1003A** is a cost-effective, professional digital voice announcer specifically designed for ACD/UCD, hotel-motel wake-up, auto attendant, intercept, night message and other announcement functions.

The **DVA-1003A** will increase call processing capacity by answering on demand or during the first ring, automatically adjusting the announce cycle to the message length, and providing instant "rewind" for the next announcement.

The **DVA-1003A** provides 16 seconds of record time (expandable to 32 seconds) and is virtually maintenance-free. There are no moving parts, tapes to replace, or tape heads to clean.

<http://www.VikingElectronics.com>

Features

- Advanced technology allows the **DVA-1003A** to meet the handshake requirements of virtually any PABX, Centrex or C.O.
- Record and review announcements using a standard handset
- Announcements can be down-loaded from a tape player
- Record level indicator for consistently high-quality recordings
- Provides both "ring trip" and 4 wire "E & M" interface
- Battery back-up option
- 16 seconds of record time (expandable to 32 seconds)

Sales...(715) 386 - 8861

Made in the U.S.A.

Applications

- ACD/UCD announcements
- Intercept announcement
- Announce-only applications
- School closings
- Ski reports
- Night answer
- Wake-up calls
- Bank rates/commodity prices
- Any application where information must be repeated continuously and may require frequent updating
- Replace existing tape and drum recorders

Specifications

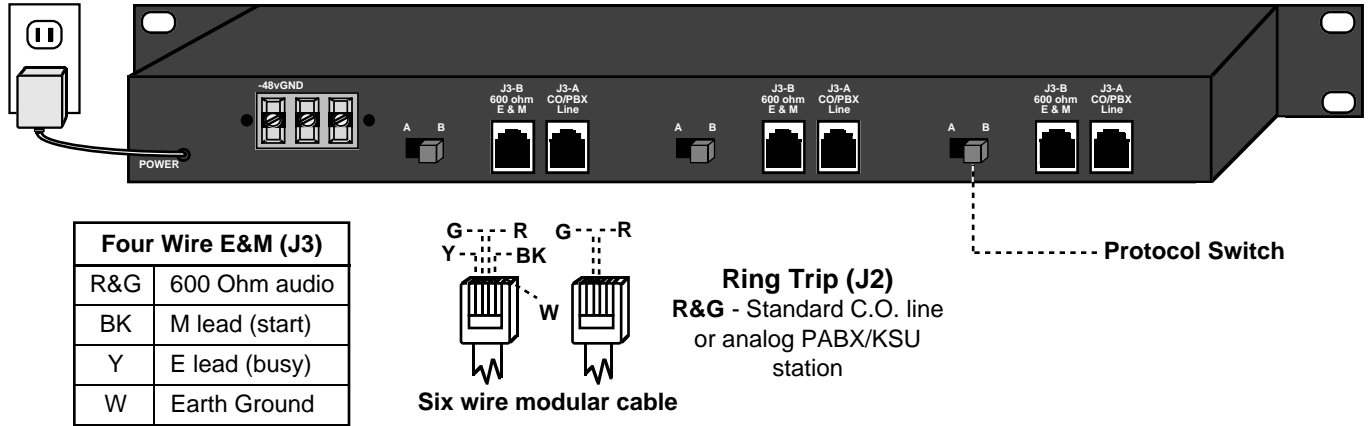
Power: 120V AC/13.8VAC 1.25 UL listed adapter provided
Dimensions:
Shipping Weight: 1.81 kg (4 lbs.)
Environmental: 0°C to 32°C (20°F to 90°F) with 5% to 95% non-condensing humidity
Battery Back-up: 1 hour of memory
Message Length: 16 seconds, expandable to 32 seconds using model DRAM-32 memory kit (Fax Back Document 105)
Connections:

E-Mail...Sales@VikingElectronics.com

Installation

A. Base Unit

Rear View of the DVA-1003A



B. Power Sources

1. 120V AC Operation

The **DVA-1003A** is provided with a U.L. or C.S.A. approved power supply with 12V DC output. The **DVA-1003A** requires a 24 hour unswitched AC outlet. To protect the micro-processor and provide maximum efficiency, it is recommended that a surge protector is installed/

2. 48V DC Operation

Connect the terminal strip as shown on the rear panel drawing. Current is less than 200mA. If adding an external fuse to the 48 volt power supply to the **DVA-1003A**, a slow blow fuse (500mA) should be used because of the 600-700mA surge current when first connecting the 48 volts to the ground and -48 volt screw terminals.

C. Battery Back-Up

The **DVA-1003A** is equipped with a rechargeable **NICAD** battery that will maintain the memory for up to 1 hour during a power failure. The **DVA-1003A** must be powered for 48 hours to fully charge the battery. For applications requiring full operation during power failures, a power back-up system is recommended (**Fax Back Document 505**).

Programming

A. Standard Ring Trip 2 Wire (J1-A, J2-A, J3-A)

Use **J2** only. Set protocol switch to "A." Any ringing C.O. line or analog PABX/KSU will be answered, given a message, released and immediately be available for the next ring.

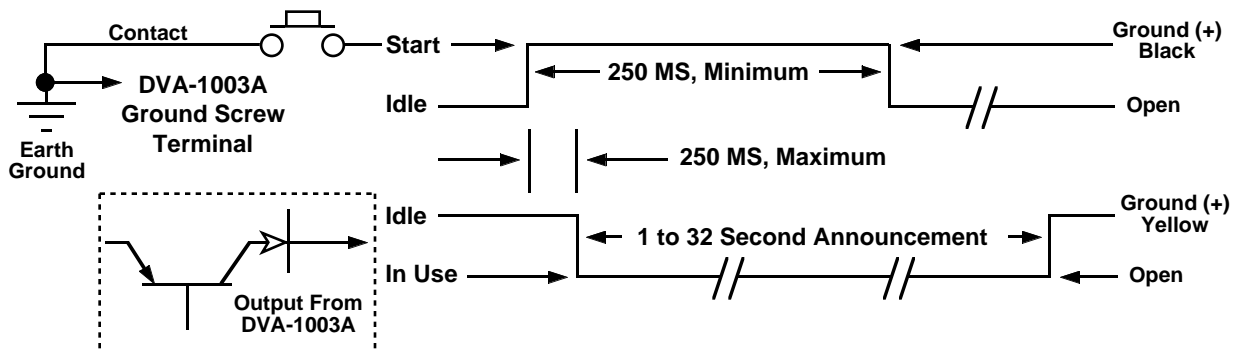
B. Continuous Play (J1-B, J2-B, J3-B)

Use **J3** only. Set protocol switch to "A." Connect Y to BK. The announcement will be repeated continuously on R&G 660 Ohm output.

C. 600 Ohm 4 Wire E & M Protocols (J1-B, J2-B, J3-B)

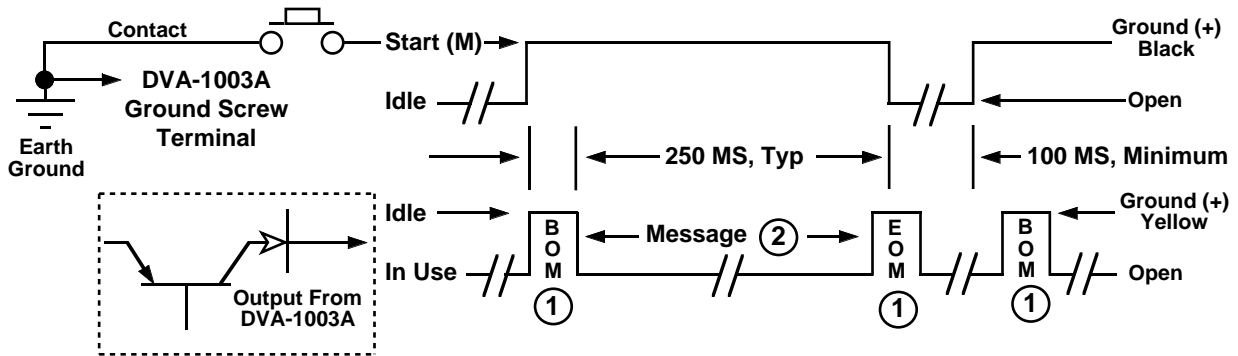
1. "On Demand"

Use **J3** only. Set protocol switch to "A."



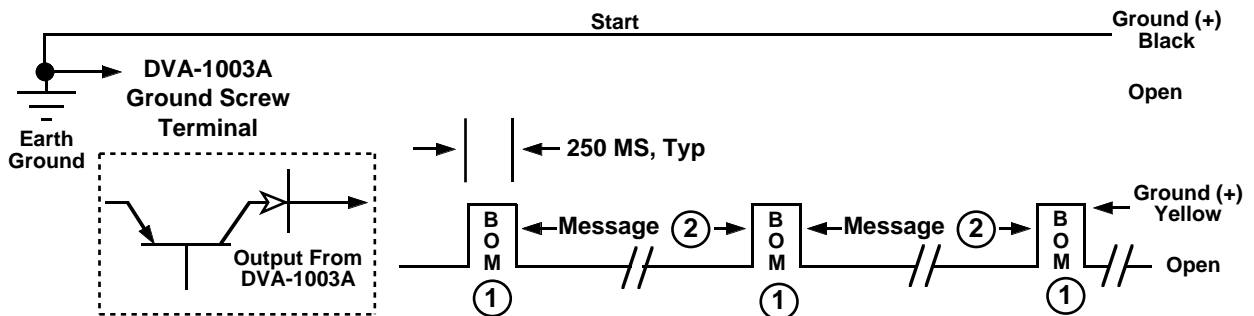
2. Type V E&M, Wink Start

Use J3 only. Set protocol switch to "B."



3. Drum Recorder Replacement

Use J3 only. Set protocol switch to "A."



- ① **BOM**="Beginning of Message" pulse.
EOM="End of Message" pulse.

- ② The **DVA-1003A** has 16 seconds (or 32 seconds at a lower fidelity) record time. To expand the record time to 32 seconds, order model **DRAM-32** Memory Kit (**Fax Back Document 105**).

D. Using the DVA-1003A with Major PABX's

PABX Manufacturer	Protocol Switch	Notes
Mitel (all models)	Position A	Use J1-A, J2-A, J3-A. Connect T&R to green and red (STD Ring Trip)
Rolm (all models)	Position A	Use J1-A, J2-A, J3-A.. Connect T&R to green and red (STD Ring Trip)
Jistel (all models)	Position A	Use J1-A, J2-A, J3-A. Connect T&R to green and red (STD Ring Trip)
Siemens (Saturn)	Position A or B	Use J1-B, J2-B, J3-B. Connections: 1) T1 and R1 to green and red 2) Earth ground* to both black and white. 3) EA lead to yellow. Program Saturn system message to be minimum of 2 seconds longer than the actual recording
Harris (20-20)	Position B	Use J1-B, J2-B, J3-B.. Connections: 1) T1 and R1 to green and red. 2) M to black. 3) E to Yellow 4) Earth ground* to white.
N.E.C. (2400)	Position B	Use J1-B, J2-B, J3-B. Connections: 1) T1 and R1 to green and red. 2) M to black. 3) Earth ground* to white. On the DVA-1003A circuit board, cut one lead of diode CR16.
Northern (SL-1)	Position A	Use J1-B, J2-B, J3-B. Connections to QPC74 Ran Trunk circuit pack: 1) T&R to G&R. 2) CPO to Y. 3) S/MBO to Bk 4) Earth ground* to white. Set C34 switch as follows: 1) SW1.0-closed 2) SW2.0-closed 3) SW3.0-open 4) SW4.0-closed. Programming SL-1: the DVA-1003A emulates a cook 201.

* Earth ground is the positive of the PABX system battery.

Operation

A. Recording From a Carbon Handset

1. Place the **PLAY/REC** switch in the **REC** position.
2. Plug a standard carbon handset into the modular **REC/MON** jack.
3. Press and hold the **START** switch and begin speaking as if you were talking on the telephone.
4. When finished release the **START** switch.

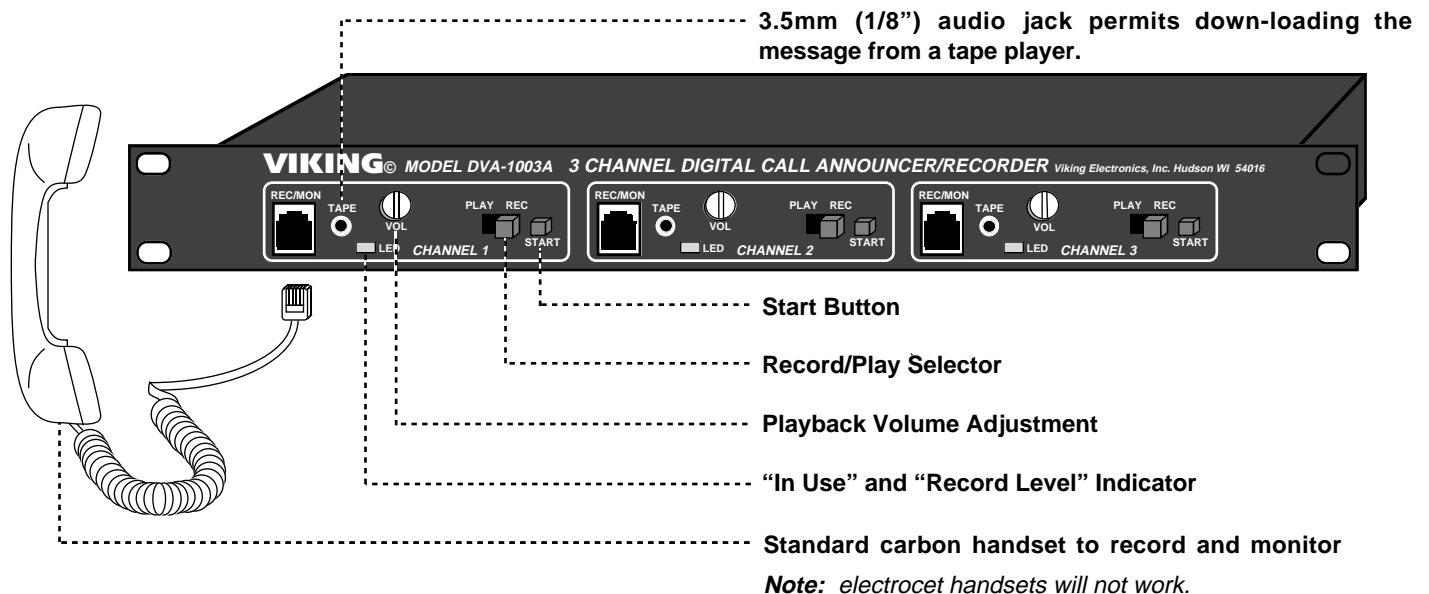
B. Recording From a Tape Player

1. Place the **PLAY/REC** switch in the **REC** position.
2. Insert a 3.5mm (1/8") audio jack into the **TAPE** jack.
3. Connect the other end of the cable assembly to the speaker, monitor, earphone, etc. jack of a standard cassette recorder.
4. Adjust the audio level of the tape player by following **a-b**.
 - a. Play the recording but do not push **START**.
 - b. Adjust the cassette player volume so that the LED flickers but is not mostly on or off.
5. Press and hold the **START** switch for the duration of the recording.
6. When finished release the **START** switch.

C. Monitoring From a Carbon Handset

1. Place the **PLAY/REC** switch in the **REC** position.
2. Plug a standard carbon handset into the modular **REC/MON** jack.
3. Press and hold the **START** switch for the duration of the message.
4. When finished release the **START** switch.

Note: While playing or recording, the "LED" will display a steady light.



Product Support Line...(715) 386-8666

Fax Back Line...(715) 386-4345

Due to the dynamic nature of the product design, the information contained in this document is subject to change without notice. Viking Electronics, its affiliates and/or subsidiaries assume no responsibility for errors and/or omissions contained in this information. Revisions of this document or new editions of it may be issued to incorporate such changes.