

Telecommunication Peripheral Products
Technical Practice

DVA-2W
Non-Volatile, Digital
Voice Announcer
February 19, 1999

Promote Your Business While Customers Hold!

The **DVA-2W** is a digital record and announce device with a built in 2 watt amplifier. Designed to provide music and promotion on hold, the **DVA-2W** can playback in a continuous loop or alternate between promotions and an auxiliary music source at 15 to 60 second intervals. Any number of multiple promotion messages may be recorded.



The output of the **DVA-2W** may also be connected directly to loudspeakers and played at the push of a button for museum displays, information booths, point of interest locations, etc.

The **DVA-2W**'s non-volatile E² memory eliminates the need for batteries or costly built in tape decks. This provides the convenience of recording at the shop or professional studio and then shipping to the installation site.

<http://www.VikingElectronics.com>

[E-mail...Sales@VikingElectronics.com](mailto:Sales@VikingElectronics.com)

Features

- Three playback options:
 1. On demand
 2. Continuous
 3. Timed intervals
- Non-volatile E² memory (no batteries required)
- 1-4 minutes of record time
- Built in 2 watt amplifier
- Tape or microphone input for recording
- Automatic or manual record capability
- Multiple message capability
- AGC (Automatic Gain Control) for trouble free recording
- Auxiliary music input for between message background music
- Remote switch interface for on demand playback

Applications

- Promotion on Hold
- Message Repeater for:
 1. Museum and Informational Displays
 2. Car Rental "Leave the keys in the ignition"
 3. Airport "Loading and unloading only..."
 4. Smoking "This is a non-smoking building..."
 5. Amusement Parks "Please keep your hands in the vehicle at all times"

Specifications

Power: 120VAC/12VDC 500 mA UL listed, adapter provided
Dimensions: 119mm x 36mm x 71mm (4.7" x 1.4" x 2.8")
Shipping Weight: .67 kg (1.5 lbs.)
Environmental: 0°C to 32°C (32°F to 90°F) with 5% to 95% non-condensing humidity
Frequency: 100-3.4KHz
Sampling Rate: 64K (equivalent)
Message Length: 1 minute, expandable up to 4 minutes using (3) **ERAM-60** memory expansion kits (**Fax Back Document 130**)
Audio Output Power: 2 watt peak
Connections: 4 position screw terminal block, (1) 3mm (1/8") audio jack

Sales...(715) 386 - 8861

Installation/Applications

Output Level Control

Manual Start/Stop Switch for Record or Playback

LED	Status
OFF	Idle
ON Steady	Ready to record
Fast Flash	Recording
Flash	Playback
Slow Flash	Delay time
Pulse Hi/Lo	Overflow memory

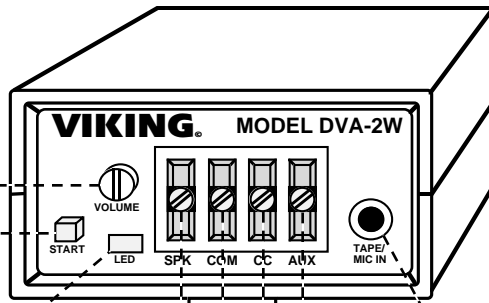
Speaker Amplified Output

Common for SPK, CC, & AUX-

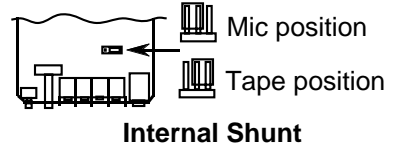
Dip Switches

1	2	Delay Time
OFF	OFF	No delay
OFF	ON	15 seconds
ON	OFF	30 seconds
ON	ON	60 seconds

3	Record Mode
ON	Automatic
OFF	Manual



An internal shunt is used to select tape or microphone input. The **DVA-2W** is factory set in the tape position. Move the internal shunt to mic position when using a microphone for recording.



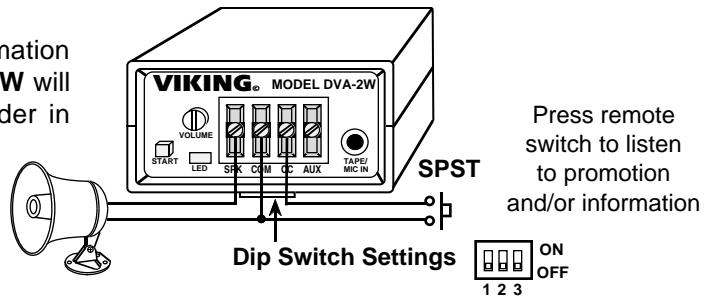
1/8" audio input jack for recording. The **DVA-2W** automatically goes into the record mode when a 1/8" plug is inserted.

Auxiliary Input (for music between timed promotion messages)

Contact Closure (for remote switch)
Momentarily connect to COM for a single playback or strap to COM for continuous playback

A. Information on Demand

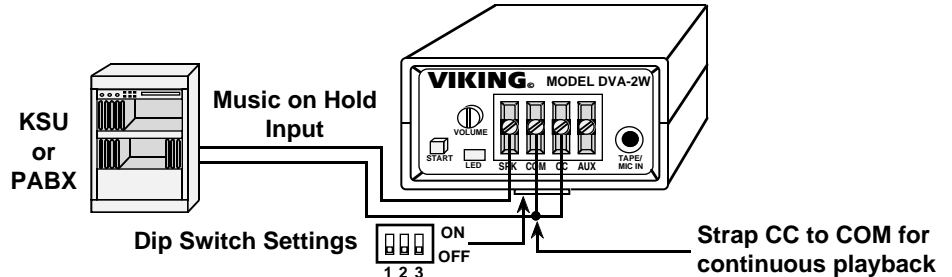
This application is ideal for museum displays, information booths, point of interest locations, etc. The **DVA-2W** will play back each message, one at a time, in the order in which they were recorded.



Press remote switch to listen to promotion and/or information

B. Promotion on Hold

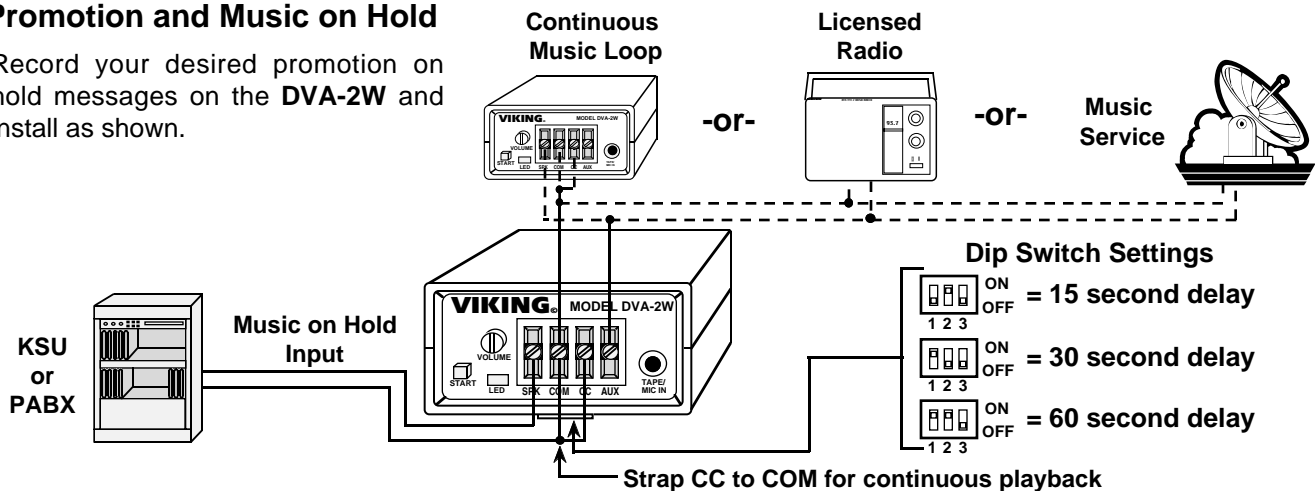
Record your desired promotion on hold messages on the **DVA-2W** and install as shown.



Strap CC to COM for continuous playback

C. Promotion and Music on Hold

Record your desired promotion on hold messages on the **DVA-2W** and install as shown.



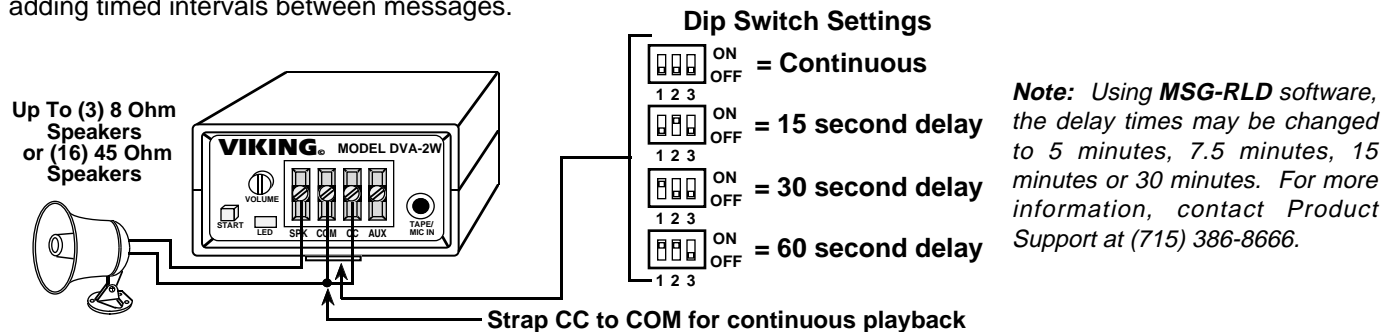
Dip Switch Settings

ON	OFF	OFF	= 15 second delay
1	2	3	
ON	ON	OFF	= 30 second delay
1	2	3	
ON	ON	ON	= 60 second delay
1	2	3	

Strap CC to COM for continuous playback

D. Repetitive Information Announcements

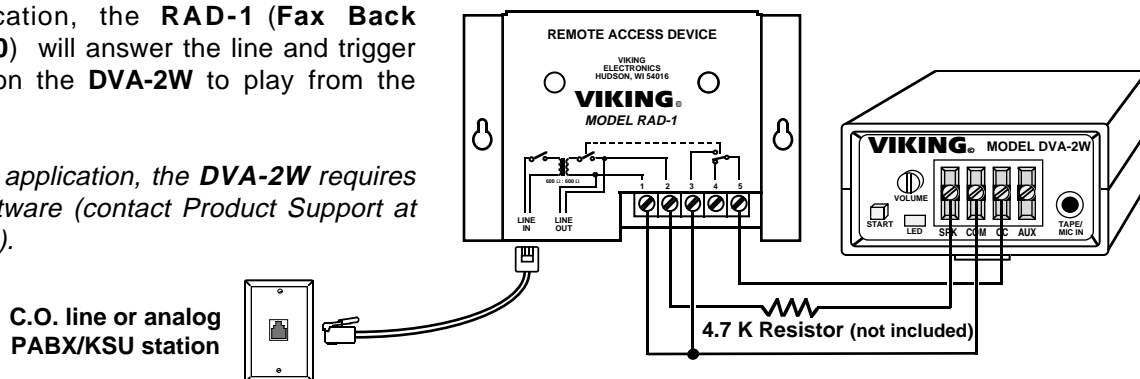
Single or multiple informational messages may be repeated continuously or you may use the delay time option for adding timed intervals between messages.



E. Single Line, 1-4 Minute Digital Announcer

In this application, the **RAD-1 (Fax Back Document 410)** will answer the line and trigger the message on the **DVA-2W** to play from the beginning.

Note: For this application, the **DVA-2W** requires **MSG-MOD** software (contact Product Support at (715) 386-8666).



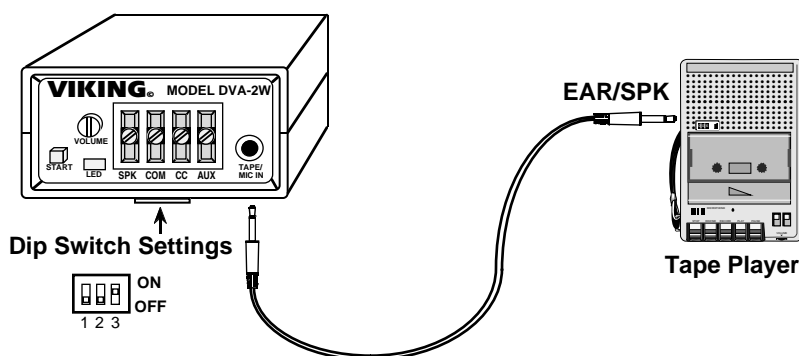
Programming/Recording

A. Automatic Recording

If only one promotional message is required, the automatic record feature may be used.

Important: The internal shunt must be in the **Tape** position (see **Installation** for details).

1. Move dip switch **3** to the **ON** position.
2. Set the volume on the tape player to a middle setting.
3. Using the pause key on the tape player, cue the tape to the blank section just prior to the message to be recorded.
4. Connect the **EAR/SPK** output from the tape player to the **TAPE/MIC IN** jack of the **DVA-2W** using a double ended 1/8" audio cord. The LED will light steady to indicate the **DVA-2W** is in the record mode.



5. Release the pause key on the tape player. The LED will fast flash, indicating the **DVA-2W** has detected incoming audio and is recording.
6. The **DVA-2W** will automatically stop recording upon detection of 3 or more seconds of silence. Remove the audio cord to switch the **DVA-2W** into the play mode.

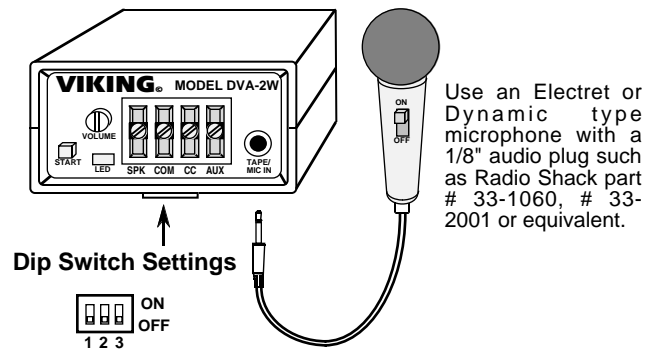
Notes: If the total available record time is surpassed while recording, the last recorded message will be invalid and will not play. The LED will pulse hi/lo to indicate that the total available record time has been surpassed. To re-record the message, remove the microphone plug from the **DVA-2W**, then insert again into **TAPE/MIC IN**. This will clear all previous messages from memory.

B. Manual Recording From a Microphone

If multiple messages are required, the manual record mode must be used.

Important: The internal shunt must be in the **MIC** position (see **Installation** for details).

1. Move dip switch 3 to the **OFF** position.
2. Connect the microphone jack to the **TAPE/MIC IN** jack of the **DVA-2W**. The LED will light steady to indicate the **DVA-2W** is in the record mode.
3. Momentarily press the **START** button to begin recording. The LED will fast flash.
4. Momentarily press the **START** button again to stop recording. The LED will flash steady.
5. Repeat steps 3 and 4 for each message you wish to record.
7. Remove the microphone jack to switch the **DVA-2W** into the play mode.



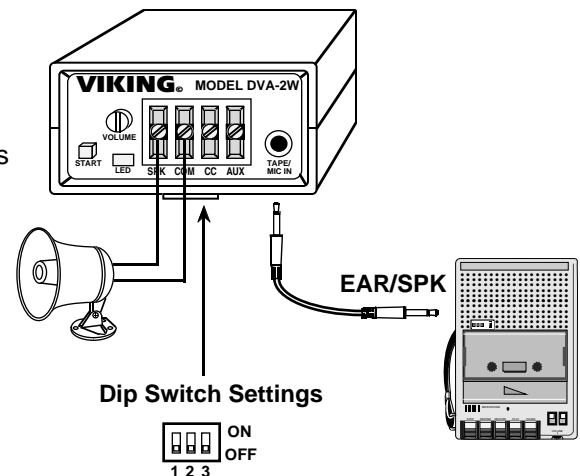
Notes: If the total available record time is surpassed while recording, the last recorded message will be invalid and will not play. The LED will pulse hi/lo to indicate that the total available record time has been surpassed. To re-record all messages, remove the microphone plug from the **DVA-2W**, then insert again into **TAPE/MIC IN**. This will clear all previous messages from memory.

C. Manual Recording From a Tape Player

If multiple messages are required, the manual record mode must be used.

Important: The internal shunt must be in the Tape position (see **Installation** for details).

1. Move dip switch 3 to the **OFF** position.
2. Set the volume on the tape player to a middle setting.
3. Connect the **EAR/SPK** output from the tape player to the **TAPE/MIC IN** jack of the **DVA-2W** using a double ended 1/8" audio cord. The LED will light steady to indicate the **DVA-2W** is in the record mode.
4. Momentarily press the **START** button to begin recording. The LED will fast flash.
5. Momentarily press the **START** button again to stop recording. The LED will light steady.
6. Repeat steps 3 and 4 for each message you wish to record.
7. Remove the audio cord to switch the **DVA-2W** into the play mode.



Notes: If the total available record time is surpassed while recording, the last recorded message will be invalid and will not play. The LED will pulse hi/lo to indicate that the total available record time has been surpassed. To re-record all messages, remove the microphone plug from the **DVA-2W**, then insert again into **TAPE/MIC IN**. This will clear all previous messages from memory.

Operation

The **DVA-2W** is designed to be recorded from a tape player or live from a microphone. The **DVA-2W** will switch to record mode when a 1/8" audio plug is inserted into the **TAPE/MIC IN** jack. A single message may be recorded using the automatic record feature, or multiple messages may be recorded using the manual **START** switch. There is no defined limit (other than maximum record time) to the number of messages which can be recorded.

When the 1/8" audio jack is removed, the **DVA-2W** is ready to play. Momentarily press the **START** switch on the front panel or a remote switch connected to the **CC** and **COM** terminals to initiate a single playback. Messages will playback one at a time in the order in which they were recorded. Continuous looping playback is achieved by strapping **CC** to **COM**. Delays between messages are selectable in 15, 30 or 60 second increments. Audio from the auxiliary source will fade out before message playback and fade in during the delays.

Product Support Line...(715) 386-8666

Fax Back Line...(715) 386-4345

Due to the dynamic nature of the product design, the information contained in this document is subject to change without notice. Viking Electronics, its affiliates and/or subsidiaries assume no responsibility for errors and/or omissions contained in this information. Revisions of this document or new editions of it may be issued to incorporate such changes.