

Telecommunication Peripheral Products

## *Technical Practice*

**DVA-500**

Digital Voice  
Announcer/Recorder

October 31, 1997

### **Digital Voice Announcer and Recorder**



The **DVA-500** is a cost-effective, professional digital voice announcer specifically designed for ACD/UCD, hotel-motel wake-up, auto attendant, intercept, night message and other announcement functions.

The **DVA-500** will increase call processing capacity by answering on demand or during the first ring, automatically adjusting the announce cycle to the message length, and providing instant "rewind" for the next announcement.

The **DVA-500** provides 16 seconds of record time (expandable to 32 seconds) and is virtually maintenance-free. There are no moving parts, tapes to replace, or tape heads to clean.

<http://www.VikingElectronics.com>

[E-mail...Sales@VikingElectronics.com](mailto:Sales@VikingElectronics.com)

### **Features**

- Advanced technology allows the **DVA-500** to meet the handshake requirements of virtually any PABX, Centrex or C.O.
- Record and review announcements using a standard handset
- Announcements can be down-loaded from a tape player
- Record level indicator for consistently high-quality recordings
- Provides both "ring trip" and 4 wire "E & M" interface
- Battery back-up option
- 16 seconds of record time (expandable to 32 seconds)

**Sales...(715) 386 - 8861**

**Made in the U.S.A.**

### **Applications**

- ACD/UCD announcements
- Intercept announcement
- Announce-only applications
- School closings
- Ski reports
- Night answer
- Wake-up calls
- Bank rates/commodity prices
- Any application where information must be repeated continuously and may require frequent updating
- Replace existing tape and drum recorders

### **Specifications**

**Power:** 120V AC/13.8V AC 1.25 A, UL listed adapter provided

**Dimensions:** 127mm x 127mm x 38mm (5" x 5" x 1.5")

**Shipping Weight:** 1.13 kg (2.5 lbs.)

**Environmental:** 0°C to 32°C (20°F to 90°F) with 5% to 95% non-condensing humidity

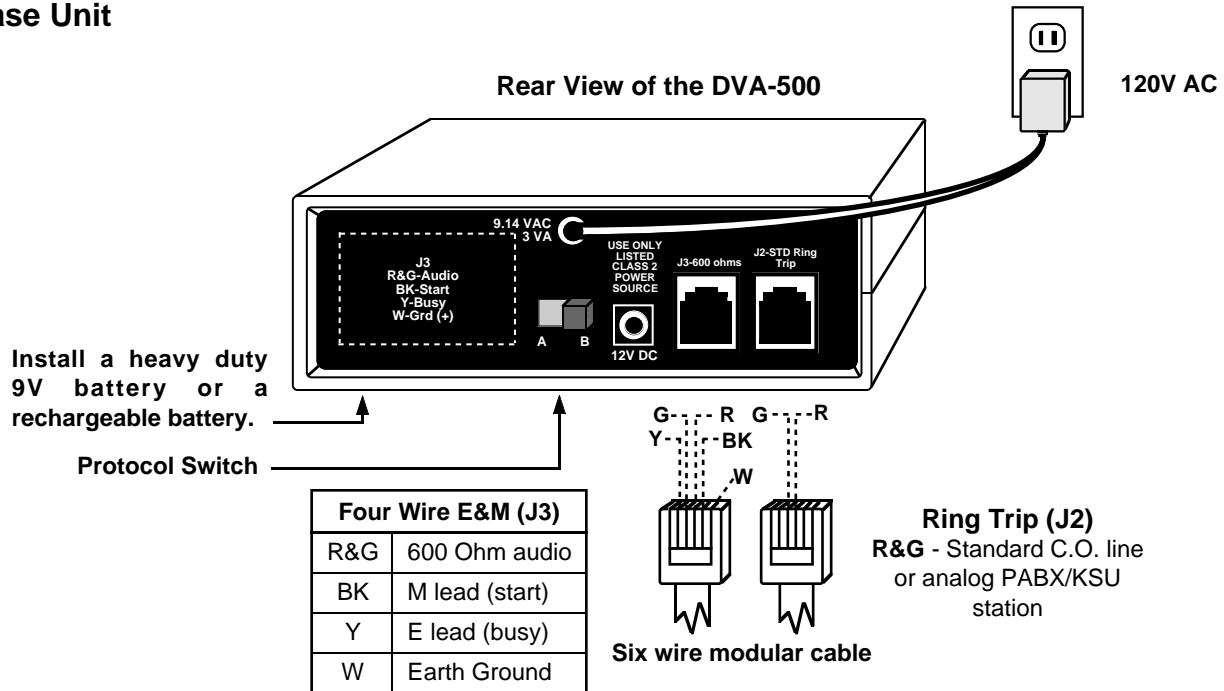
**Battery Back-up:** 5 hours of memory

**Message Length:** 16 seconds, expandable to 32 seconds using model **DRAM-32** memory kit (**Fax Back Document 105**)

**Connections:** (1) RJ-11, (1) 4-wire E&M RJ-14, (1) 1/8 audio jack, (1) handset jack

# Installation

## A. Base Unit



## B. Battery Back-Up

Remove the two screws located on the bottom of the unit. Remove the cover. Install a standard 9V battery in the right rear battery area. This battery will maintain memory for at least 5 hours during a power failure. If you wish to use a rechargeable battery, the **DVA-500** includes a shunt which is taped to the top of the unit. Install the shunt on **J2** to provide trickle charge current for a 9V NICAD rechargeable battery. Remove the shunt on **J2** when used with a non rechargeable battery.

**Warning:** Serious damage may be caused by trying to charge a non-rechargeable battery.

# Programming

## A. Standard Ring Trip 2 Wire

Use **J2** only. Set protocol switch to "A." Any ringing C.O. line or analog PABX/KSU station will be answered, given a message, released and immediately be available for the next ring.

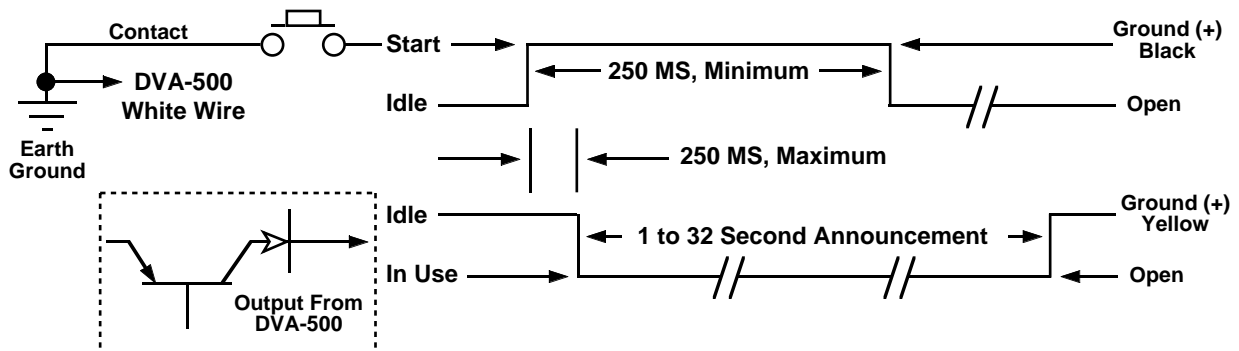
## B. Continuous Play

Use **J3** only. Set protocol switch to "A." Connect **Y** to **BK**. The announcement will be repeated continuously on R&G 600 Ohm output.

## C. 600 Ohm 4 Wire E & M Protocols

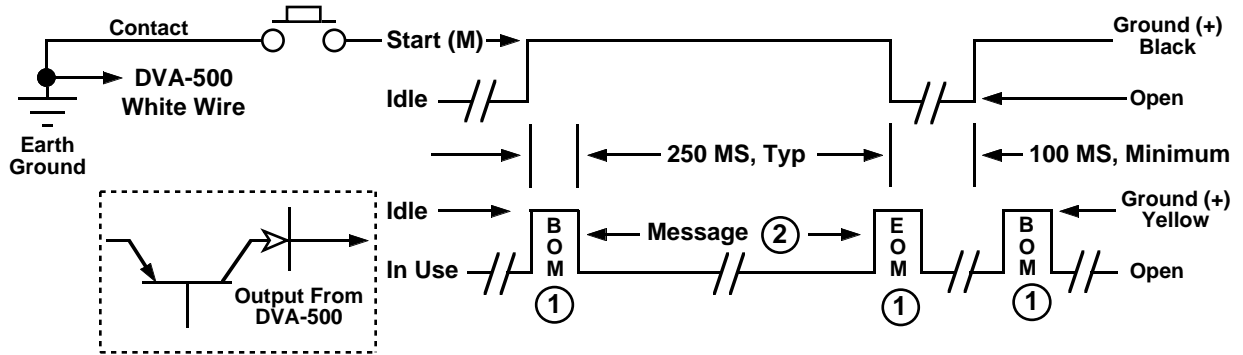
### 1. "On Demand"

Use **J3** only. Set protocol switch to "A."



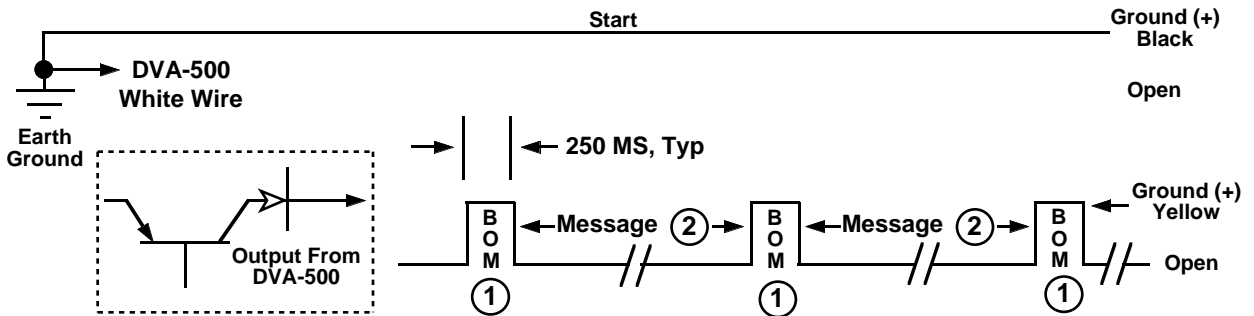
## 2. Type V E&M, Wink Start

Use J3 only. Set protocol switch to "B."



## 3. Drum Recorder Replacement

Use J3 only. Set protocol switch to "A."



- ① **BOM** = "Beginning of Message" pulse.  
**EOM** = "End of Message" pulse.

- ② The **DVA-500** has 16 seconds (or 32 seconds at a lower fidelity) record time. To expand the record time to 32 seconds, order model **DRAM-32** Memory Kit (**Fax Back Document 105**).

## D. Using the DVA-500 with Major PABX's

PABX Manufacturer	Protocol Switch	Notes
Mitel (all models)	Position A	Use J2. Connect T&R to green and red (STD Ring Trip)
Rolm (all models)	Position A	Use J2. Connect T&R to green and red (STD Ring Trip)
Jistel (all models)	Position A	Use J2. Connect T&R to green and red (STD Ring Trip)
Siemens (Saturn)	Position A or B	Use J3. Connections: 1) T1 and R1 to green and red 2) Earth ground* to both black and white. 3) EA lead to yellow. Program Saturn system message to be minimum of 2 seconds longer than the actual recording
Harris (20-20)	Position B	Use J3. Connections: 1) T1 and R1 to green and red. 2) M to black. 3) E to Yellow 4) Earth ground* to white.
N.E.C. (2400)	Position B	Use J3. Connections: 1) T1 and R1 to green and red. 2) M to black. 3) Earth ground* to white. On the <b>DVA-500</b> circuit board, cut one lead of diode CR16.
Northern (SL-1)	Position A	Use J3. Connections to QPC74 Ran Trunk circuit pack: 1) T&R to G&R. 2) CPO to Y. 3) S/MBO to Bk 4) Earth ground* to white. Set C34 switch as follows: 1) SW1.0-closed 2) SW2.0-closed 3) SW3.0-open 4) SW4.0-closed. Programming SL-1: the <b>DVA-500</b> emulates a cook 201.

\* Earth ground is the positive of the PABX system battery.

# Operation

## A. Recording From a Carbon Handset

1. Place the **PLAY/REC** switch in the **REC** position.
2. Plug a standard carbon handset into the modular **REC/MON** jack.
3. Press and hold the **START** switch and begin speaking as if you were talking on the telephone.
4. When finished release the **START** switch.
5. Place the **PLAY/REC** switch in the **PLAY** position.

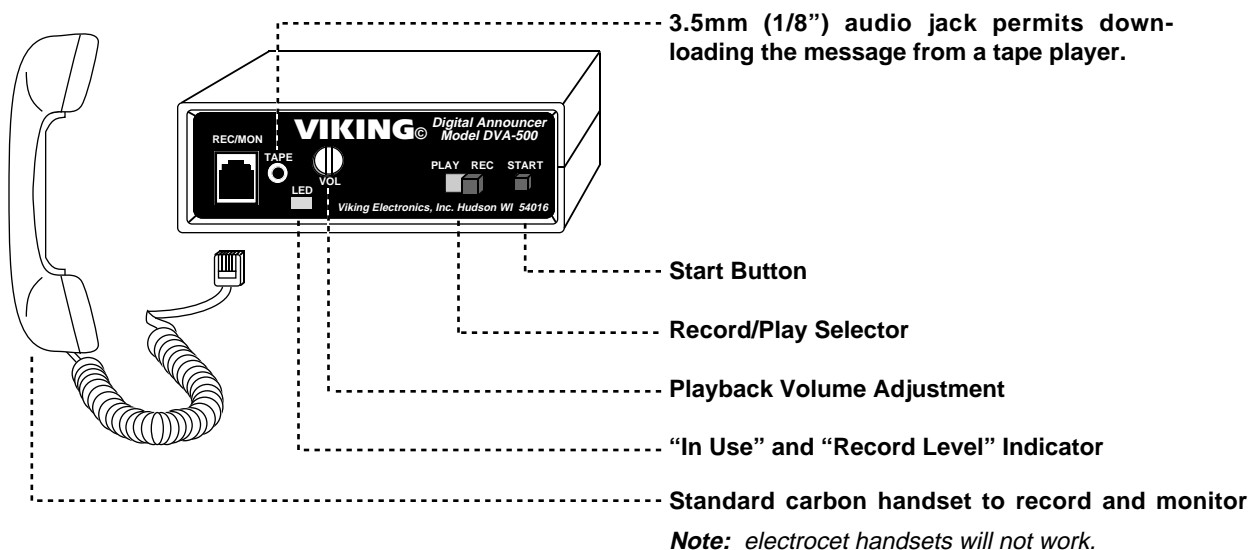
## B. Recording From a Tape Player

1. Place the **PLAY/REC** switch in the **REC** position.
2. Insert a 3.5mm (1/8") audio jack into the **TAPE** jack.
3. Connect the other end of the cable assembly to the speaker, monitor, earphone, etc. jack of a standard cassette recorder.
4. Adjust the audio level of the tape player by following **a-b**.
  - a. Play the recording but do not push **START**.
  - b. Adjust the cassette player volume so that the LED flickers but is not mostly on or off.
5. Press and hold the **START** switch for the duration of the recording.
6. When finished release the **START** switch.
7. Place the **PLAY/REC** switch in the **PLAY** position.

## C. Monitoring From a Carbon Handset

1. Place the **PLAY/REC** switch in the **PLAY** position.
2. Plug a standard carbon handset into the modular **REC/MON** jack.
3. Press and hold the **START** switch for the duration of the message.
4. When finished release the **START** switch.

**Note:** While playing or recording, the "LED" will display a steady light.



**Product Support Line...(715) 386-8666**

**Fax Back Line...(715) 386-4345**

Due to the dynamic nature of the product design, the information contained in this document is subject to change without notice. Viking Electronics, its affiliates and/or subsidiaries assume no responsibility for errors and/or omissions contained in this information. Revisions of this document or new editions of it may be issued to incorporate such changes.