

TECHNICAL Practice

TELECOM SOLUTIONS FOR THE 21ST CENTURY

PROX-3

Medium Range Proximity Card Reader

November 14, 2011

High Performance Proximity Card Reader with up to 16 inches* of Read Range and Optional Gooseneck Pedestal Mounting Kits



The model **PROX-3** is a high performance medium range HID compatible 125KHz proximity card reader. The **PROX-3's** compact size yet long read range of up to 16 inches* make it ideal for parking control, gate access, turnstiles, etc. It is designed to be mounted directly to a wall, post, single gang electrical box or use an optional mounting kit (see models below) for attaching it to a gooseneck pedestal.

Mounting is simplified with horizontal and vertical mounting slots, which allow the reader to be conveniently adjusted and leveled. To increase vandal resistance the chassis is a single piece design with the mounting screws concealed behind a UV stable label.

The proximity card reader transmits data in 26-Bit Wiegand format, making it compatible with any of the Wiegand equipped Viking entry controllers. The **PROX-3** is equipped with Enhanced Weather Protection (EWP) for outdoor installations where the unit is exposed to precipitation or condensation. With its sealed connections and fully potted electronics the **PROX-3** is designed to meet an IP66 Ingress Protection Rating. For more information, see DOD# 859.



PROX-3 shown with VE-GNP pedestal and PROX-3-MK-GNP mounting kit



PROX-3 shown with VE-GNP pedestal, PROX-3-MK-VEGNP mounting kit and K-1700-3 with VE-6x7

Features

- Read range of up to 16 inches*
- Standard 26-bit Wiegand interface
- HID compatible
- Surface mounts to non-metallic wall, post or single gang electrical box.
- Mounts to Viking **VE-GNP** Series gooseneck pedestal's with optional **PROX-3-MK-GNP** or **PROX-3-MK-VEGNP** mounting kits
- Designed for outdoor use, the **PROX-3** comes standard with Enhanced Weather Protection (EWP) (see **DOD# 859**)
- PROX-3 is designed to meet IP66 Ingress Protection Rating (see **DOD# 859**)
- Pigtail connection for easy installation
- Four red LED's indicates power and flashes off during card read
- Transducer provides beep during card read

* **Note:** Read range tested with Viking PROXCARD or HID ProxCard II and unit mounted on a non-metallic surface.

Applications

- Parking control, gate access, turnstiles, etc.
- Compatible with these Viking products:

Model	Description	DOD#
AES-2000	Accessible Entry System	202
AES-2005	Accessible Video Entry System	204
C-4000	Apartment/Office Entry Controller	164
ES-1	Stand Alone Keyless Entry System	193
VE-GNP Series	Gooseneck Pedestals when used with the PROX-3-MK-VEGNP or PROX-3-MK-GNP mounting kits	424

Specifications

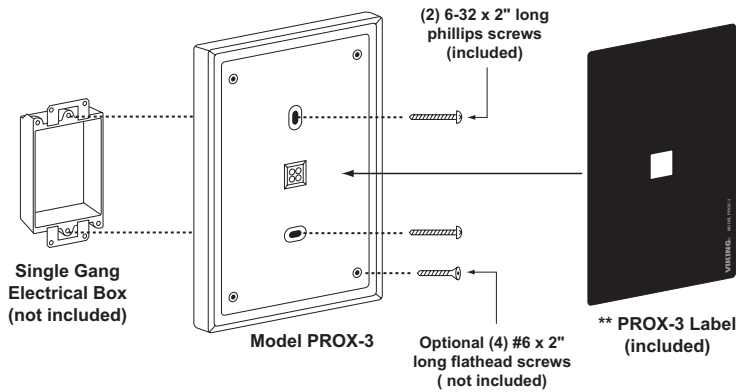
Power: 5-16 DC (12V nominal), 300mA - average, 500mA - peak. 120V AC/12V DC 500mA, UL listed adapter provided.
Dimensions: 216mm x 152mm x 25mm (8.5" x 6.0" x 1.0")
Shipping Weight: 1.0 kg (2.3 lb)
Environmental: -40° C to 65° C (-40° F to 150° F) with up to 100% humidity
Connections: 18" long pigtail leads, 24 gauge
Credential Compatibility: Viking **PROXCARD**, **PROXCARD-ISO**, **PROXFOB**, HID (ProxCard II, ISO Prox II and ProxTag II)

B. Surface Mounting the PROX-3

The **PROX-3** can be surface mounted to a non-metallic* wall or post. The unit can be fastened with two screws (provided) to a single gang electrical box or directly to a wall or post. For additional mounting strength, the four holes in the outer corners of the **PROX-3** can be drilled out with an 11/64" drill bit and fastened with four #6 flat head screws.

* **Note:** The **PROX-3** can be mounted to a metallic surface but the proximity card read range will be dropped to approximately 1/2 its normal distance.

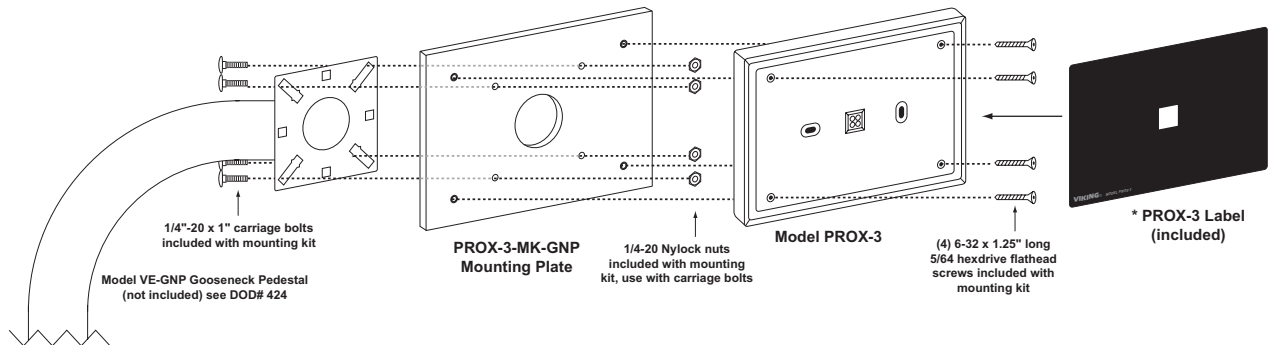
** **Important:** After mounting and testing the card reader, clean the front recessed area of the unit with rubbing alcohol and apply the provided label. Please note, the label is permanent and not easily removed.



C. Mounting the PROX-3 to a Gooseneck Pedestal Using the PROX-3-MK-GNP Mounting Kit

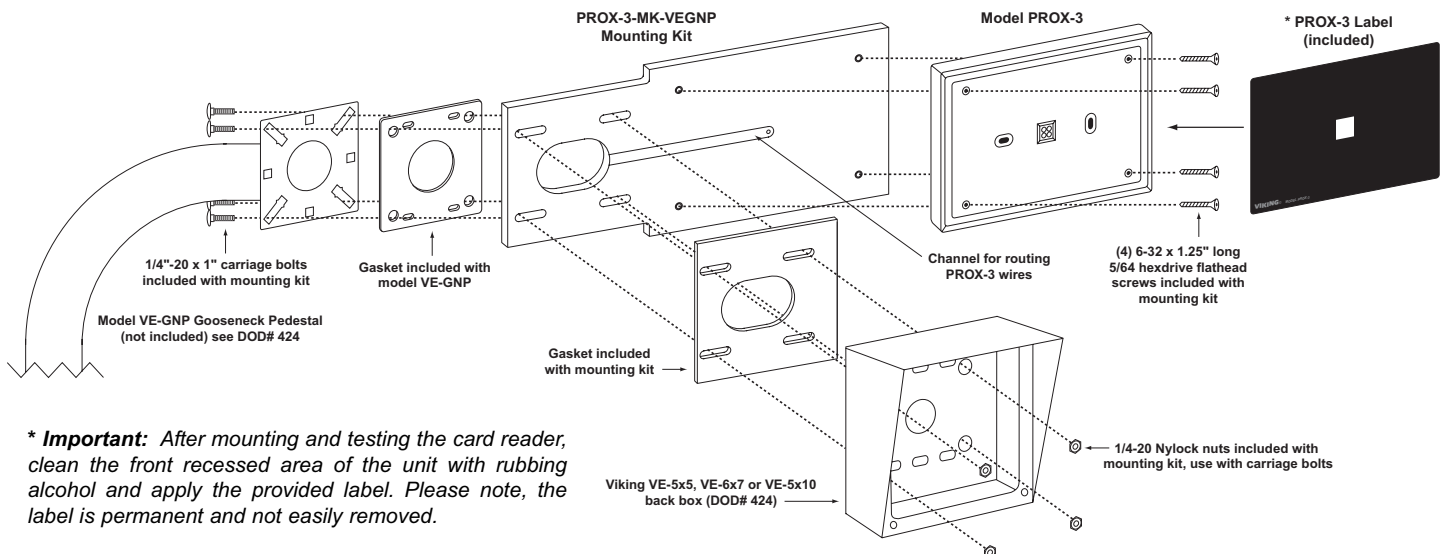
Drill out the four holes in the outer corners of the **PROX-3** with an 11/64" drill bit. Attach the **PROX-3-MK-GNP** mounting plate to the Gooseneck pedestal with the four provided carriage bolts. Wire as shown in section **E** then fasten the unit to the mounting plate with the 6-32 x 1.25" long flathead screws provided with the **PROX-3-MK-GNP** mounting kit.

* **Important:** After mounting and testing the card reader, clean the front recessed area of the unit with rubbing alcohol and apply the provided label. Please note, the label is permanent and not easily removed.



D. Mounting the PROX-3 and a Viking Entry Phone to a Gooseneck Pedestal Using the PROX-3-MK-VEGNP Mounting Kit

Drill out the four holes in the outer corners of the **PROX-3** with an 11/64" drill bit. Adhere the gasket provided with the Viking gooseneck pedestal, centering on the **VE-GNP** mounting plate. Fasten the **PROX-3** to the mounting plate with the 6-32 x 1.25" long flathead screws provided with the **PROX-3-MK-GNP** mounting kit. The **PROX-3-MK-VEGNP** mounting plate can be mounted horizontally or vertically to allow the **PROX-3** to be positioned on the left, right, top or bottom of the entry phone with a **VE-5x5** or **VE-6x7** surface mount box. The plate can only be mounted on the left, right or top when using a **VE-5x10** surface mount box. Attach the **PROX-3-MK-VEGNP** mounting plate and the **VE-Series (VE-5x5, VE-6x7 or VE-5x10)** back box to the gooseneck pedestal with the four provided carriage bolts. Wire as shown in section **E**. See the entry phone's Technical Practice for wiring and mounting instructions.

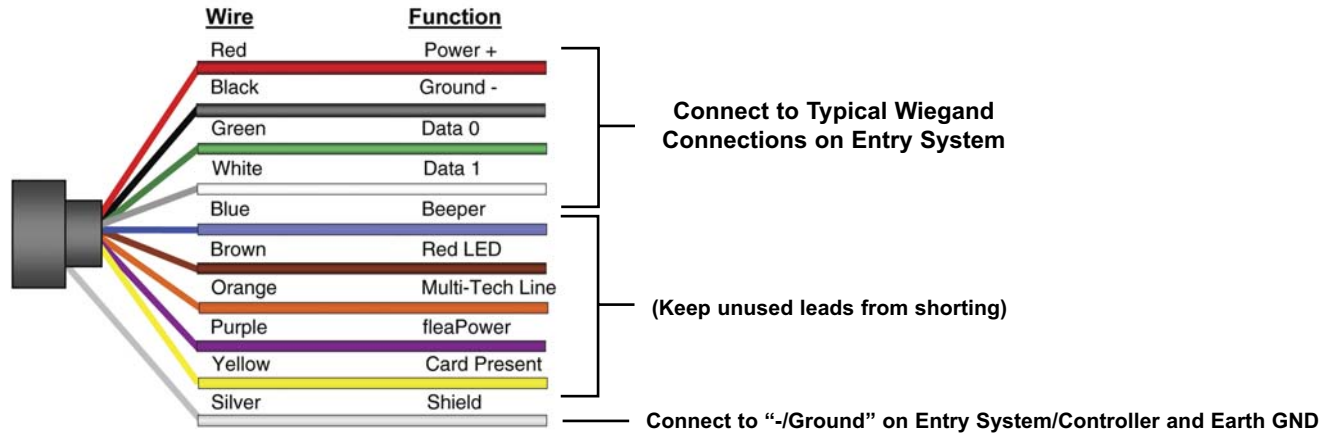
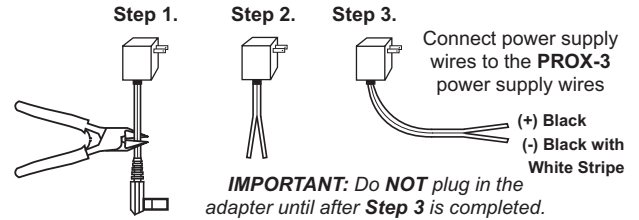


* **Important:** After mounting and testing the card reader, clean the front recessed area of the unit with rubbing alcohol and apply the provided label. Please note, the label is permanent and not easily removed.

Wiring

When using the **PROX-3** with any Viking Entry System/Controller, the provided 12V DC 500mA power adapter should be used. Follow the directions below to prepare the power supply.

Step 1.	Cut off the barrel connector on the powersupply.
Step 2.	Separate the wires.
Step 3.	Connect the 12V adapter wires to the power supply wires on the PROX-3 .
Step 4.	Plug in the power supply.



Note: See “Cable Requirements” on page 2.



IMPORTANT: Electronic devices are susceptible to lightning and power station electrical surges from both the AC outlet and the telephone line. It is recommended that a surge protector be installed to protect against such surges.

Troubleshooting

1. When the reader is powered up the LED's will momentarily light amber, a victory beep (4-quick beeps) is heard and then the LED's will light Red.

2. Present the correct card and the reader will beep once and LED's will momentarily turn off. It is up to the control panel to control dual LED and have the LED turn green when an enrolled card is presented.

If reader does not recognize the card/tag (no beep, no LED flash) or reader has short read range, please see table below for possible causes and solutions.

Possible Cause	Corrective Action
Incorrect wiring	Verify wiring connection
Not enough power	12 VDC suggested
Mounted near electromagnetic interference	Relocate or provide greater separation from
Incorrect card used	Verify card compatibility from model number
Reader/access panel not properly grounded	Quality Earth Ground needed. Verify shield line from the access panel to the reader is one continuous, connected line.
Supply generating electromagnetic interference	Linear power supply recommended

If any of the corrective actions mentioned above don't work, please disconnect the reader from panel and power it with a separate power supply or 9V battery and test card functionality. By powering it individually and off the installation most variables that can cause malfunction are eliminated. If after the reader is powered by a separate power source the failure persist, please contact Viking Electronics Product Support.

Product Support Line...715.386.8666

Fax Back Line...715.386.4345

Due to the dynamic nature of the product design, the information contained in this document is subject to change without notice. Viking Electronics, and its affiliates and/or subsidiaries assume no responsibility for errors and omissions contained in this information. Revisions of this document or new editions of it may be issued to incorporate such changes.