

VIKING

Electronics Monthly

Reliable Products for Your Security and Communication Needs

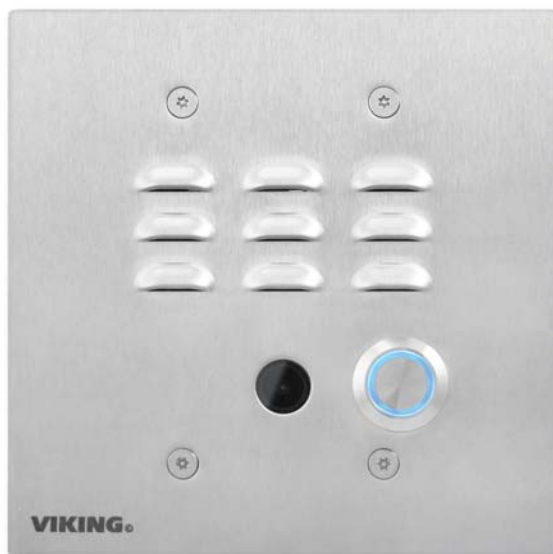
VOLUME 30 : ISSUE 5 MAY 2018

COMING
SOON!

X-35 Series

SIP HD Video Entry Phone

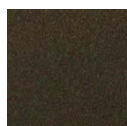
- 126° wide viewing angle
- MJPEG and H.264 video compression
- Dual-Stream video
- Multicast paging compatible
- PoE powered
- Built-in relay
- Lighted push button
- IP66 vandal resistant 316 stainless steel faceplate and push button
- Flush mount in a standard double gang electrical box or use an optional Viking Surface Mount Box



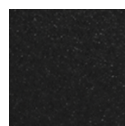
Available in 3 Finishes:



Brushed
Stainless



Oil Rubbed
Bronze



Textured
Black

Call for more info: 715-386-8861

Get to Know Us!



Name:
John Hepokoski

How long have you been at Viking?
I have been here since December 2010.

What are your responsibilities?
Receiving and warehousing are my main gigs but I also help out in shipping and take care of some aspects within our social media platforms.

Why do you like working at Viking?
Because I am always able to stay busy and I know the products we produce are high quality and relied upon around the world. My coworkers are OK too...

Favorite treat to share at work:
I usually remember to bring in a treat while driving into work so my go to is grocery store cookies. Sometimes I go big and bring in Doritos.

What do you do outside work?
You can find me trying out new foods at various restaurants in the twin cities to populate my Instagram account, glued to the TV watching my favorite sports teams (Packers, Brewers, Bucks, Badgers), defeating my friends at Madden and NBA 2K (PS4), and going to music concerts. Most of my activities involve drinking Spotted Cow beer.

Favorite movie:
My favorite movie is *Ex Machina* and lately I've been filling my downtime by watching *The Americans* series on FX.

Favorite quote:
"Dude, if you get the nachos stuck together, that's one nacho."
—J.D. in *Saving Silverman*

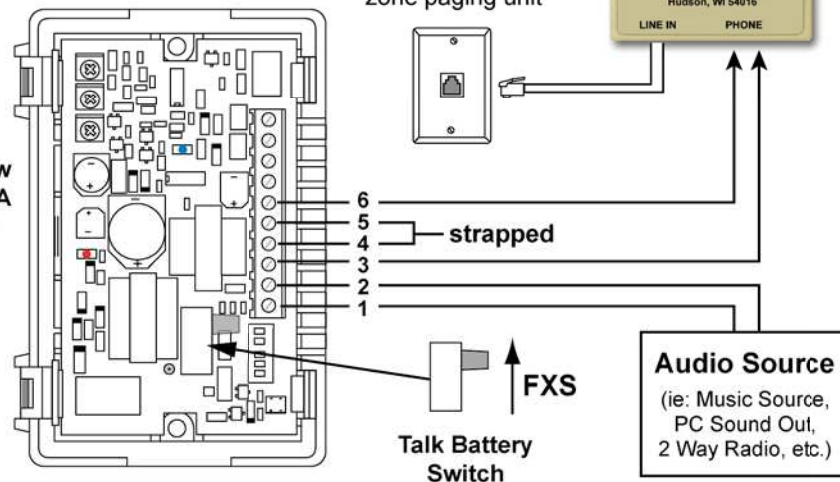
TECH TIPS

Model K-1900-5
(DOD 317)



To telephone line,
analog PBX
extension or
override port of
zone paging unit

Internal View
of the FXI-1A
(DOD 483)



Provide Dialing and Audio from an Audio Source

The K-1900-5 Touch Tone Dialer can be used in conjunction with an FXI-1A to provide automatic dialing when audio is present. This is useful to play a message or broadcast CB radio transmissions to an actual phone, through an override port of a multi zone page controller, through the external paging system or through the speakers of proprietary phones and external paging at the same time.

NEW WEBSITE

We have updated our website, added more features, and given it a new look that is easy to navigate:
www.VikingElectronics.com

SOCIAL MEDIA

Follow us on social media for the most up-to-the-minute info for all things related to Viking!

SEND AN EMAIL

We answer emails throughout the day, so you get answers fast.
info@VikingElectronics.com

APRIL'S TRIVIA QUESTION:

Johnny Cash recorded "Folsom Prison Blues" in 1955, but what year did he actually write the song?

ANSWER: 1953

CONGRATULATIONS to
HAPPY FELLER
from **TELEDYNAMICS**,
winner from last month!

ASK VIKING FIRST!

Whether you need help selecting a product or want to talk with someone about installation, we're here to answer your questions.

Call us: 715-386-8861

Let's get Connected!

SUPPORT FORUM

Search our online product support forum for answers to common product questions.

SUPPORT TICKETS

A new feature we've added to our website allows customers to create and submit a ticket to our product support department.

DOWNLOADS

Easily view and save product manuals from our website. Download software, as well as catalogs, newsletters, and application notes right from our homepage. Search by "DOD" number, model, keyword, or description:

VikingElectronics.com

SPARE PARTS STORE

Replaceable parts for our products can be securely purchased on our website. Don't see what you need? Call us with questions or to order over the phone:

Product Support: 715-386-8861

TRIVIA QUESTION

What was the title of the first video uploaded to YouTube?

Everyone who calls, emails, or faxes in the correct answer by **MAY 31, 2018** will be entered into a drawing for a delicious cheese assortment shipped fresh direct from the **Bass Lake Cheese Factory!**



Check us out on YouTube and **SUBSCRIBE** to our channel!

From old school to tech savvy, Viking makes it easy to stay in touch!

UPCOMING EVENTS

For the most up-to-date information:



FOLLOW US ON
facebook



InfoComm18

Las Vegas, NV
June 6-8, 2018

CEDIA

San Diego, CA
Sept 6-8, 2018

ESX

Nashville, TN
June 20-21, 2018

Contact Viking

CALL: 715-386-8861

VISIT: www.VikingElectronics.com

EMAIL: info@VikingElectronics.com

FAX: 715-386-4344



Sign up for
our email
newsletter

SCAN
HERE



Published by VIKING ELECTRONICS, INC.
For CUSTOMER SERVICE, call: 715-386-8861

To UNSUBSCRIBE, please send an email to: mailings@vikingelectronics.com
Include your mailing address and we will promptly honor your request.

© VIKING ELECTRONICS, INC. All rights reserved.

PLEASE NOTE: Viking Electronics is dedicated to protecting your privacy.
We will never share or sell your personal information.

VIKING

VIKING ELECTRONICS, INC.

1531 Industrial Street, Hudson, Wisconsin 54016
Phone: 715-386-8861 www.VikingElectronics.com

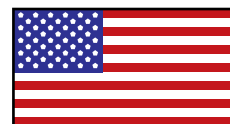
PRINTED IN THE USA

Check your mailbox...

We are sending you the new **2018 Spring Catalog**.
If you don't get it shortly - let us know and we will
send one out to you right away!

Remember - our products are **made here in the USA**.
We stand behind our products with a 2 year limited
warranty and free lifetime product support.

Since 1969 Viking has been
supplying the security and
communications industry
with reliable, high-quality
American-made products.



WHAT'S INSIDE?

- Learn about our newest product line: X-35 Series
- See all the ways to stay connected with Viking
- Find out which employee is a self-proclaimed foodie

