

VIKING

Electronics Monthly

Reliable Products for Your Security and Communication Needs

VOLUME 30 : ISSUE 9 SEPTEMBER 2018

SPOTLIGHT: IP Entry Phones

Viking offers everything from easy one-button entry phones to complete all-in-one door entry systems that include cameras and proximity readers!

Single Button IP Entry Phones

- Easy to use one-button operation
- SIP compliant
- PoE powered (class 1)
- 2 Amp relay contacts for door or gate control
- Enhanced Weather Protection (EWP) models available, meet IP66 Ingress Protection Rating
- Automatic Noise Canceling (ANC) for noisy environments
- Network downloadable firmware
- Dial up to 5 numbers on busy or ring no answer
- Hangs up on busy, time-out or touch tone command
- Operating temperature range: -40°F to 140°F

Model E-10-IP

Heavy-duty black powder painted aluminum faceplate
Flush mount or use with a VE-5x5 Surface Mount Box, sold separately



Model E-20-IP

UV stable light gray impact resistant plastic chassis
Surface mount only



Model E-30-IP

Heavy-duty brushed 316 stainless steel faceplate
Flush mount or use with a VE-5x5 Surface Mount Box, sold separately



Model E-32-IP

Heavy-duty brushed 316 stainless steel faceplate
Flush mount in a standard double gang electrical box, not included



Model E-35-IP

Built-in analog video camera
Flush mount or use with a VE-5x5 Surface Mount Box, sold separately



Model E-60-BN-IP

Vandal resistant 18 gauge stainless steel faceplate
Available in 4 finishes
Flush mount or use with a VE-5x5 Surface Mount Box, sold separately



Get to Know Us!



Name: Sally Haggerty

How long have you been at Viking?

I've worked here for 17 years.

What are your responsibilities?

I work in Final Assembly - which is putting all the parts together and building the final product. I also help out in the shipping department.

Why do you like working at Viking?

I like being able to do jobs that I enjoy, with people that are fun to work with.

Favorite treat to share at work:

"Can't Leave Alone Bars" which have chocolate chips, and sweetened condensed milk - yum! Check out the recipe on the next page...

What do you do outside work?

I enjoy spending time with my grandchildren. I also like to sew, crochet, and go for walks.

Favorite movie:

Ghost (1990)

Favorite quote:

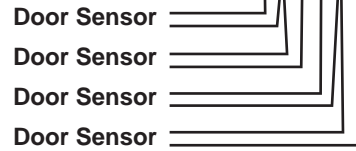
"The human spirit is stronger than anything that can happen to it."

- C.C. Scott

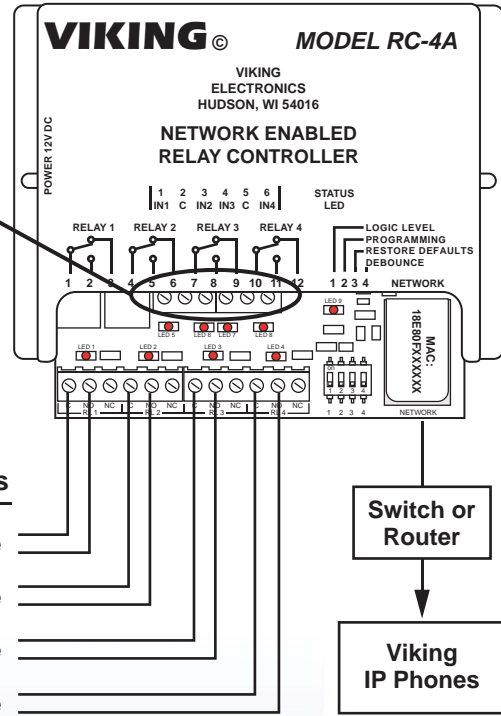
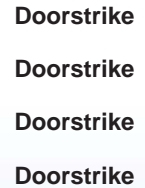
TECH TIPS!

For extra security when opening a door using a Viking IP phone, the RC-4A can be configured to work as a remote relay, controlling door strikes and gates when the relay is required to be inside the building for security reasons.

Sensor Examples



Relay Examples



For more information on model RC-4A, go to: www.VikingElectronics.com and retrieve DOD 582

or SCAN here



TRIVIA QUESTION

How many years has Viking Electronics been in business?

Everyone who calls, emails, or faxes in the correct answer by September 30, 2018 will be entered into a drawing for a delicious Wisconsin cheese assortment shipped fresh from our local Bass Lake Cheese Factory!

VIKING ELECTRONICS

AUGUST TRIVIA QUESTION: What is the oldest college in the US? ANSWER: Harvard

CONGRATULATIONS to MARK PETERSON from Stanion Wholesale Electric!

SALLY'S FAVORITE!

Can't Leave Alone Bars

Recipe from Taste of Home

TIME: 40 minutes + cooling time
YIELD: 3 dozen

INGREDIENTS

- 1 package white cake mix (regular size)
- 2 large eggs
- 1/3 cup canola oil
- 1 can (14 oz) sweetened condensed milk
- 1 cup semisweet chocolate chips
- 1/4 cup butter, cubed

DIRECTIONS

- Preheat oven to 350° F.
- In a large bowl, combine the cake mix, eggs and oil.
- Press two-thirds of the cake mixture into a greased 13" x 9" baking pan. Set the remaining cake mixture aside.
- In a microwave-safe bowl, combine the condensed milk, chocolate chips, and butter. Microwave uncovered, until the chips and butter are melted. Stir until smooth. Pour over the cake mixture in the pan.
- Drop spoonfuls of the remaining cake mixture on top of the chocolate.
- Bake for 20-25 minutes or until lightly browned. Cool before cutting.



Control Relay Contacts Across a LAN (Local Area Network)

The RC-4A Network Enabled Relay Controller provides networked control of four relays via an easy-to-use web interface. The same interface can be used to check the status of four contact closure inputs. Relays can be toggled on or off, or activated for a length of time.

The RC-4A can be configured to work as a remote relay for Viking VoIP series phones, controlling door strikes and gates when a remote relay is required for security reasons. It can also be programmed to send an email or text message in response to a change in one or more of the sensor inputs. Two RC-4A's can be set up so that activity on a sensor input of one unit will automatically send a message across the network to activate one of the relays on the other unit.

Two levels of user access permit selected users to have full operational and programming rights while others only have operational control.

- Terminal strip connections for normally open, normally closed, and common for all four relays
- Relays can be toggled or timed closures of from 1 to 99 seconds can be activated
- Terminal strip connections for all four sensor inputs
- Notification by email or text message of sensor input state change
- Can be used as a secure remote relay for Viking VoIP series phones
- Ready-to-use webpage control interface
- Firmware updatable



For more info on the RC-4A see DOD 582

- Remote Interaction: sensor change on one RC-4A triggers relay activation of a second RC-4A across network
- Relay names, input names and input status can be customized on webpage

Remote Control of:

- Secure building entry
- HVAC equipment
- Pumps and fans
- Security system
- Gates
- Lighting
- Emergency tones
- Other equipment

Advanced IP Door Entry Systems

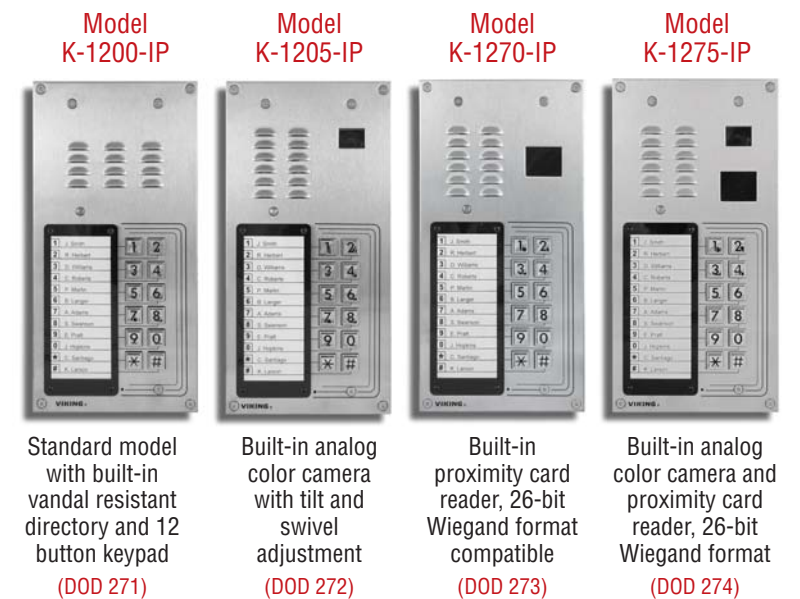
All IP Models Below Feature:

- SIP compliant and PoE powered (class 2, <6.5 Watts)
- Two sets of SPDT 2 Amp relay contacts for door / gate or camera control
- Network downloadable firmware
- Automatic Noise Canceling (ANC) feature for operation in noisy environments
- Blue "Call / Status" LED indicator
- Heavy-duty 14 gauge louvered 316 marine grade stainless steel faceplate
- Heavy duty sealed metal keypad
- T-10 Torx security mounting screws

- Flush mount with the included zinc-plated steel rough-in box
- Enhanced Weather Protection (EWP) models available, designed to meet IP66 Ingress Protection Rating
- Remotely programmable
- Program up to 1,000 keyless entry codes and/or proximity card numbers
- Keyless entry codes and proximity card numbers can be programmed to only allow access at specific times and day of week
- Event logging with time and date stamp
- Programmable microphone and speaker volume
- Operating temperature: -40°F to 140°F

K-1200-IP Series

- 12 buttons speed dial up to 20 digits each, with 12 rollover numbers
- Easy one button push operation
- Built-in custom tenant directory
- Hangs up on busy signal, time-out or touch tone command
- Selectable auto-answer feature for monitoring
- Surface mount with an optional Viking VE-5x10 Surface Mount Box, sold separately
- Permanent laser etched graphics

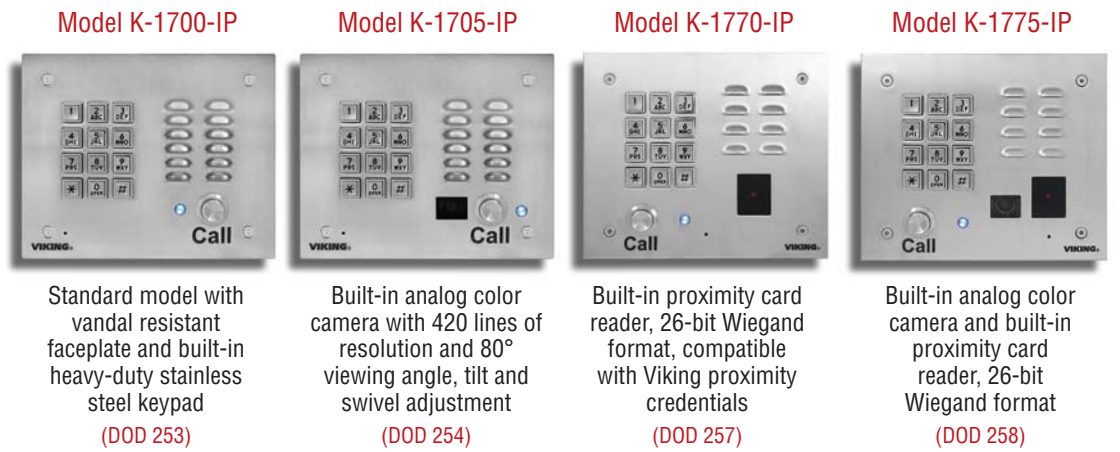


Standard model with built-in vandal resistant directory and 12 button keypad (DOD 271)
Built-in analog color camera with tilt and swivel adjustment (DOD 272)
Built-in proximity card reader, 26-bit Wiegand format compatible (DOD 273)
Built-in analog color camera and proximity card reader, 26-bit Wiegand format (DOD 274)

K-1700-IP Series

- Two finishes available: Brushed Stainless Steel or Oil Rubbed Bronze (BN)
- Stainless steel "Call" button
- Permanent laser etched graphics on Brushed Stainless Steel models

- Speed dial up to 250 numbers
- Cycles to rollover number on busy or no-answer
- Surface mount with an optional Viking VE-6x7 Surface Mount Box, sold separately



Standard model with vandal resistant faceplate and built-in heavy-duty stainless steel keypad (DOD 253)
Built-in analog color camera with 420 lines of resolution and 80° viewing angle, tilt and swivel adjustment (DOD 254)
Built-in proximity card reader, 26-bit Wiegand format, compatible with Viking proximity credentials (DOD 257)
Built-in analog color camera and built-in proximity card reader, 26-bit Wiegand format (DOD 258)

UPCOMING EVENTS

For the most up-to-date information:



FOLLOW US ON facebook



GSX

Las Vegas, NV
Sept 24-26, 2018

CEDIA

San Diego, CA
Sept 6-8, 2018

BICSI

San Antonio, TX
Sept 10-12, 2018

NAEC

Atlantic City, NJ
Sept 24-26, 2018

VIKING

VIKING ELECTRONICS, INC.

1531 Industrial Street, Hudson, Wisconsin 54016
Phone: 715-386-8861 www.VikingElectronics.com

PRINTED IN THE USA

Contact Viking

CALL: 715-386-8861

VISIT: www.VikingElectronics.com

EMAIL: info@VikingElectronics.com

FAX: 715-386-4344



Sign up for our email newsletter

SCAN HERE



Published by VIKING ELECTRONICS, INC.
For CUSTOMER SERVICE, call: 715-386-8861

To UNSUBSCRIBE, please send an email to: mailings@vikingelectronics.com
Include your mailing address and we will promptly honor your request.

© VIKING ELECTRONICS, INC. All rights reserved.

PLEASE NOTE: Viking Electronics is dedicated to protecting your privacy.
We will never share or sell your personal information.

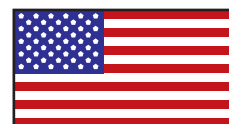


Check your mailbox...

We are sending you the new **2018 Fall Catalog**.
If you don't get it shortly - let us know and we will send one out to you right away!

Remember - our products are **made here in the USA**.
We stand behind our products with a 2 year limited warranty and free lifetime product support.

Since 1969 Viking has been supplying the security and communications industry with reliable, high-quality **American-made** products.



WHAT'S INSIDE?

- Discover Viking's IP Entry Phones
- Try out a new recipe - inside!
- Learn more about the flexible RC-4A Controller
- Play Viking Trivia to win prizes!