



SPOTLIGHT: Paging Solutions

VOIP PAGING

Our VoIP SIP end-point paging and multicast paging products support background music, voice paging and standard or emergency SIP calls. Two-way talk-back is also available on some models.

- Models:
22TB-IP
40-IP
40TB-IP
PA-IP



AMPLIFIERS

Design a paging system around one of Viking's feature-rich compact amplifiers. Standard connections also make these a great choice for expanding an existing paging system.

- Models:
HF-3W
PA-2A
PA-15
PA-30
PA-60



NOTIFICATION

Expand the capabilities of your paging system by adding features such as: time controlled tones and messages, night bell, loud ringing, plus emergency tones and messages.

- Models:
CTG-1A
CTG-2A
DNA-510
K-600F
MTG-10



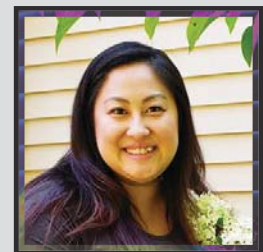
INTERFACES

Our paging interfaces offer a variety of ways to connect to new and existing paging systems. Provide features like: zone paging, pre-page tones, background music suppression during page, feedback elimination, and paging contacts just to name a few.

- Models:
FBI-1A
FXI-1A
PI-1A
RAD-1A
ZPI-4



GET TO KNOW US



Employee Name:
Pa Vue

How long have you worked at Viking?
Almost a year.

What are your responsibilities?
I help out anywhere I am needed, but my main responsibilities are answering the phones at the front desk and assisting in the accounting department.

Why do you like working at Viking?
Everyone is friendly and I like that I am able to learn new things in different departments.

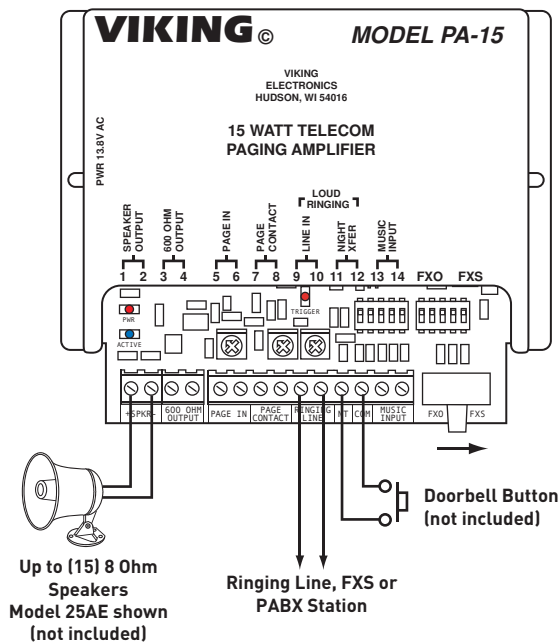
What do you like to do outside of work?
I love hanging out with my family.

Favorite quote:
"Success is not final, failure is not fatal; it is the courage to continue that counts."
- Winston Churchill

TECH TIPS!

Model PA-15

Model PA-15 provides voice paging and background music integration. It can also provide a programmable loud ringing tone triggered by the ring voltage of an analog phone line as well as a door chime tone triggered from a contact closure, i.e. doorbell button/door sensor contact.



For more info on model PA-15 see DOD 486

PRODUCT PROFILES

MASS NOTIFICATION

Add Mass Notification to Your Existing Paging System

The DNA-510 is a digital mass notification announcer, that provides up to 2 minutes of recorded voice emergency instructions and alert tones over your existing paging system.

The DNA-510 connects to a phone line, analog phone system station or an unused trunk/line input allowing you to securely page, trigger emergency messages and/or alert tones and program the unit from any remote touch tone phone.

When activated, the DNA-510 will interrupt any current paging or background music and inject an emergency voice message and/or alert tone over your paging system. A live page can also be announced.



Model DNA-510
See DOD 492 for more info

TRIVIA QUESTION



The first TV episode featuring this mystery solving gang aired on September 13, 1969. What was the name of this animated television series?

Everyone who calls, emails, or faxes in the correct answer by May 31, 2019 will be entered into a drawing for a prize.

April Trivia:

What actor won his only Academy Award for his role as Rooster Cogburn in the 1969 film True Grit?

Answer: John Wayne

Congratulations to **LAURA MAROLT** from **JENNE!**

VOIP PAGING

SIP / Multicast Talk-Back Speaker

The 40TB-IP Talk-Back Speaker enables two-way conversations via SIP and also allows for standard paging and background music via multicast. The Talk-Back Speaker easily connects with a single CAT5/6 cable from your PoE switch. Its shallow depth allows the speaker to be conveniently mounted in a standard 2" x 4" stud wall or ceiling. An auxiliary switch input allows a hard wired wall button to initiate a SIP call. Or, a wireless remote call button can be used (Viking model BTR-3, sold separately).



Model
40TB-IP
See DOD 502
for more info

NOTIFICATION

Generate Multiple Tones for a Paging System

Model MTG-10 is a multi-tone generator designed to add multiple contact-controlled audio tones to paging systems or 600 Ohm inputs. Select from 15 different tones!

The MTG-10's audio input can be connected to any paging source, ie: phone system paging port or background music. When a contact closure is provided to one of the inputs, the paging or background music is faded out and the appropriate tone is generated over the paging system.



Model
MTG-10
See DOD 482
for more info

AMPLIFIER

15 Watt Paging Amplifier with Background Music & Loud Ringing

The PA-15 interfaces with virtually any telephone system to provide 15 Watts of paging power - enough to drive fifteen 8 Ohm paging horns or speakers. This small and light weight chassis design is possible by utilizing new amplifier technology that is much more efficient than old designs our competitors use. High efficiency means much less heat dissipation, smaller size, higher reliability, and lower cost.



Model
PA-15
See DOD 486
for more info

INTERFACE

Interface Your Paging System with an Analog or IP Phone System

Viking's FXI-1A universal paging interface allows you to provide paging from virtually any type of phone system instead of from a microphone. You can also provide background music and electronic night bell over the audio system. The FXI-1A provides 30V talk battery for interfacing with an FXO or unused analog line input/trunk port. With the flip of a switch, the unit can connect to a FXS or PABX station ring trip port.



Model
FXI-1A
See DOD 483
for more info

UPCOMING EVENTS

BICSI
Las Vegas, NV
Sep 30 - Oct 2, 2019

GSX
Chicago, IL
Sep 8-12, 2019

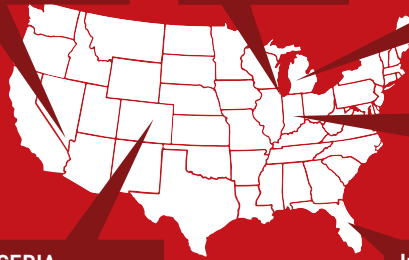
NAEC
Grand Rapids, MI
Sep 18-19, 2019

ESX
Indianapolis, IN
Jun 3-6, 2019

CEDIA
Denver, CO
Sep 10-14, 2019

InfoComm19
Orlando, FL
Jun 12-14, 2019

For the most up-to-date info on events, products, and more, follow us on Facebook.



CONTACT US

PHONE: 715.386.8861

FAX: 715.386.4344

EMAIL: info@vikingelectronics.com

WEB: vikingelectronics.com



Published by Viking Electronics, Inc. For customer service, call: 715-386-8861. To **UNSUBSCRIBE**, please send an email to: mailings@vikingelectronics.com. Include your mailing address and we will promptly honor your request. Please note: Viking Electronics is dedicated to protecting your privacy. We will never share or sell your personal information.

© Viking Electronics, Inc. All rights reserved.

VIKING

Viking Electronics, Inc.
1531 Industrial Street
Hudson, WI 54016-9386



WATCH FOR IT...

Viking's 2019 Spring Catalog should be arriving in your mailbox shortly!
To request a copy, visit:

VIKINGELECTRONICS.COM

Since 1969 Viking has been supplying the security and communications industry with reliable, high-quality American-made products.



WHAT'S INSIDE?

- Discover countless paging solutions
- Learn about new IP paging products
- Find another fun trivia question from 1969